

Technical data sheet

Product features



Boiling kettle electric indirect 50 l

Model	SAP Code	00003024
--------------	-----------------	----------



- Device type: Electric unit
- Device heating type: Indirect
- Steam pressure regulation: Automatic - the pressure switch regulates the performance of the device
- Filling: Mechanical cock
- Jacket filling: Semi-automatic
- Drain: Yes
- Drain valve diameter: 2"
- Basin dimensions [mm x mm x mm]: d400 x 450
- Basin volume [l]: 50
- Usable volume [l]: 50

SAP Code	00003024	Loading	400 V / 3N - 50 Hz
Net Width [mm]	800	Basin volume [l]	50
Net Depth [mm]	705	Usable volume [l]	50
Net Height [mm]	900	Basin dimensions [mm x mm x mm]	d400 x 450
Net Weight [kg]	105.00	Device heating type	Indirect
Power electric [kW]	9.000	Steam pressure regulation	Automatic - the pressure switch regulates the performance of the device

Technical data sheet

Technical drawing

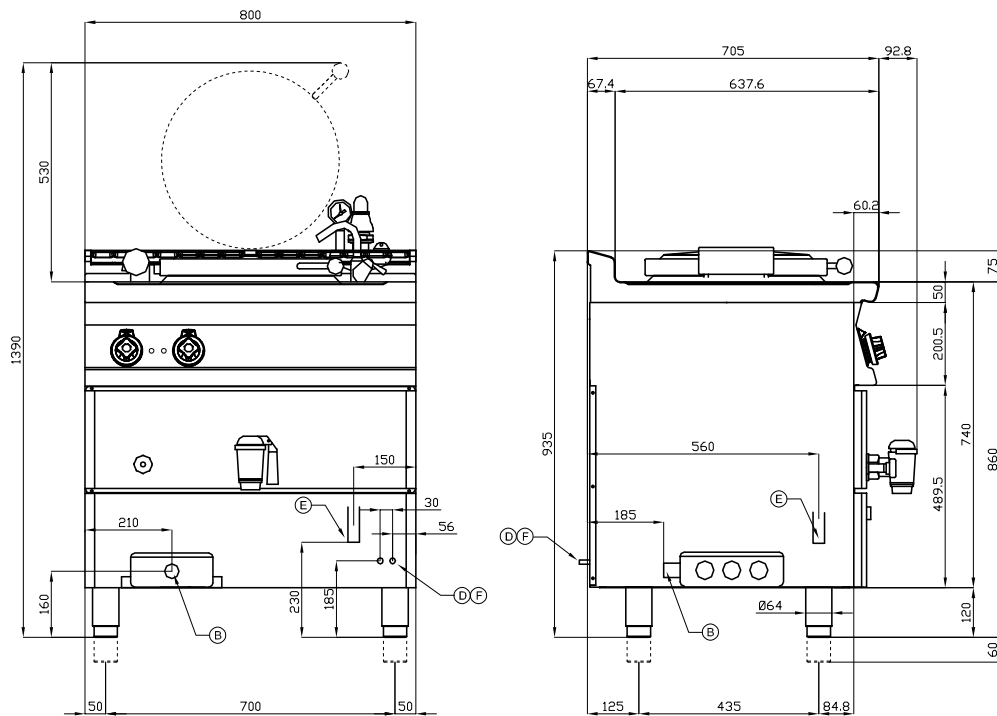


Boiling kettle electric indirect 50 l

Model

SAP Code

00003024



A	Data plate		B	Electrical connection	
D	Cold water connection	Ø10mm	E	Water drainage	Ø25mm
F	Hot water connection	Ø10mm			

Technical data sheet

Product benefits



Boiling kettle electric indirect 50 l

Model

SAP Code

00003024

1

Safety element “ thermocouple

safe service for staff
there is no unnecessary gas leakage
long life

- savings on service interventions
- easier and faster operation

2

Degree of protection of the control elements IPX5

maintenance-free system
resistance to splash water
long life

- savings on service interventions
- easy cleaning and maintenance of equipment

3

Smart handle

protection against scalding when lifting the lid
easy handling to operate at any height

- high security
- fewer health problems caused by poor ergonomics

4

Duplicator bottom AISI 316

long service life even in an aggressive salty environment

- savings on service interventions
- avoidance of losses due to interruptions in plant operation

5

All-stainless design including bottom

long service life even in an aggressive salty environment

- savings on service interventions
- easy cleaning and maintenance of equipment

6

Upper hygienic molding with an opening for the drainage of excess contents

spilled or overflowing liquids around the boiler neck can drain into the waste

- easier to keep the workplace clean
- easier to maintain hygiene standards
- easier cleaning of the boiler surface

Technical data sheet

Technical parameters



Boiling kettle electric indirect 50 l

Model

SAP Code

00003024

1. SAP Code:

00003024

2. Net Width [mm]:

800

3. Net Depth [mm]:

705

4. Net Height [mm]:

900

5. Net Weight [kg]:

105.00

6. Gross Width [mm]:

830

7. Gross depth [mm]:

770

8. Gross Height [mm]:

1110

9. Gross Weight [kg]:

120.00

10. Device type:

Electric unit

11. Construction type of device:

With substructure

12. Power electric [kW]:

9.000

13. Loading:

400 V / 3N - 50 Hz

14. Protection of controls:

IPX4

15. Device color:

Stainless steel

16. Material:

AISI 304 top plate and cladding

17. Indicators:

operation and warm-up

18. Drain valve diameter:

2"

19. Worktop type:

Molded - comfortable cleaning maintenance

20. Worktop material:

AISI 304

21. Worktop Thickness [mm]:

2.00

22. Device heating type:

Indirect

23. Basin volume [l]:

50

24. Basin dimensions [mm x mm x mm]:

d400 x 450

25. Power control type:

infinitely adjustable power

26. Service accessibility:

Trough the frontal panel

Technical data sheet

Technical parameters



Boiling kettle electric indirect 50 l

Model

SAP Code

00003024

27. Safety element:

the safety pressure fitting prevents the risk of overpressurization of the duplicator and subsequent explosion
safety thermostat

28. Safety thermostat:

Yes

29. Adjustable feet:

Yes

30. Bottom material:

AISI 316

31. Type of pan:

Fixed

32. Usable volume [l]:

50

33. Filling:

Mechanical cock

34. Jacket filling:

Semi-automatic

35. Steam pressure regulation:

Automatic - the pressure switch regulates the performance of the device

36. Type of drain valve:

conical

37. Overflow:

Yes

38. Manometer:

Yes

39. Water filling type:

Both cold and warm

40. Drain:

Yes