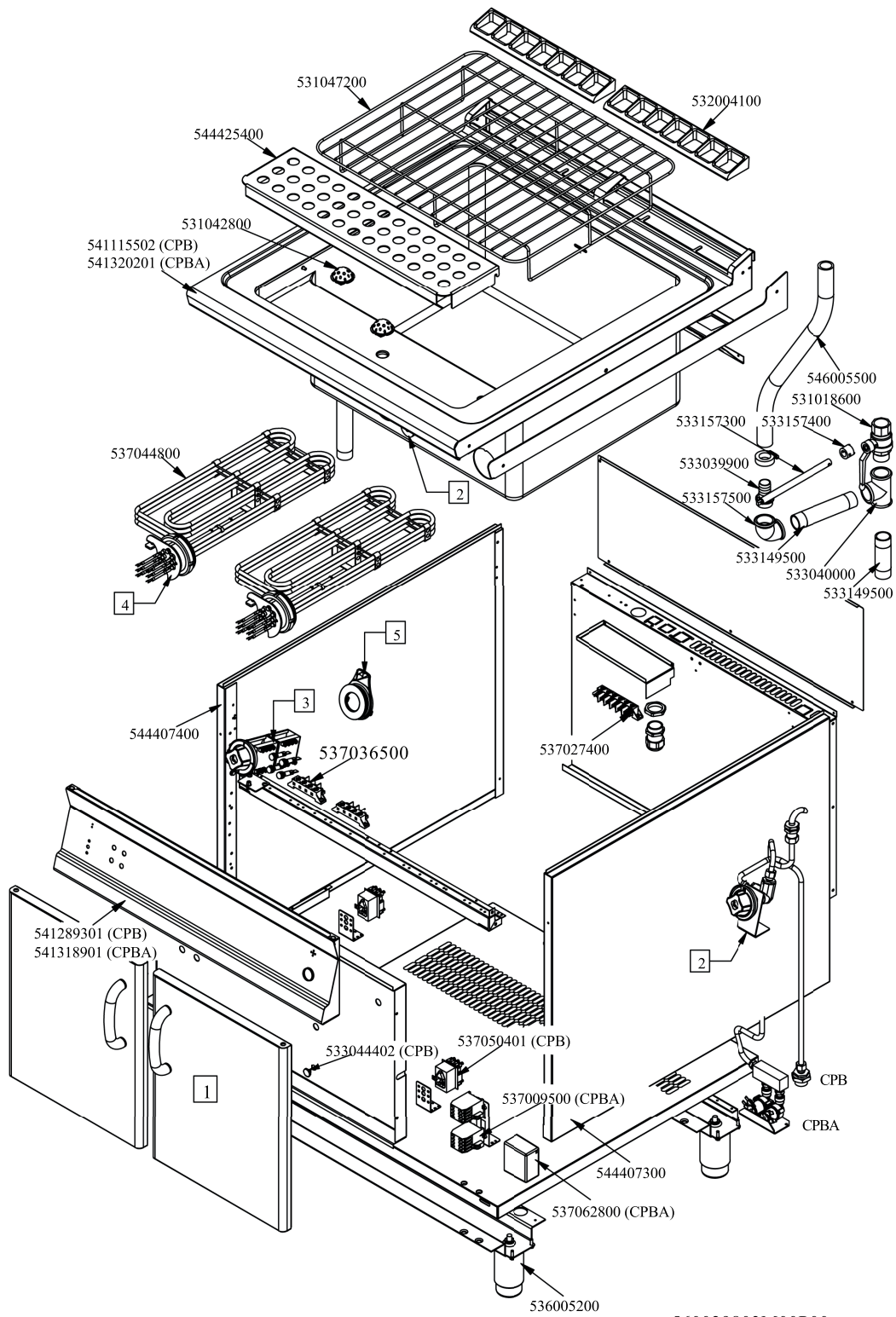




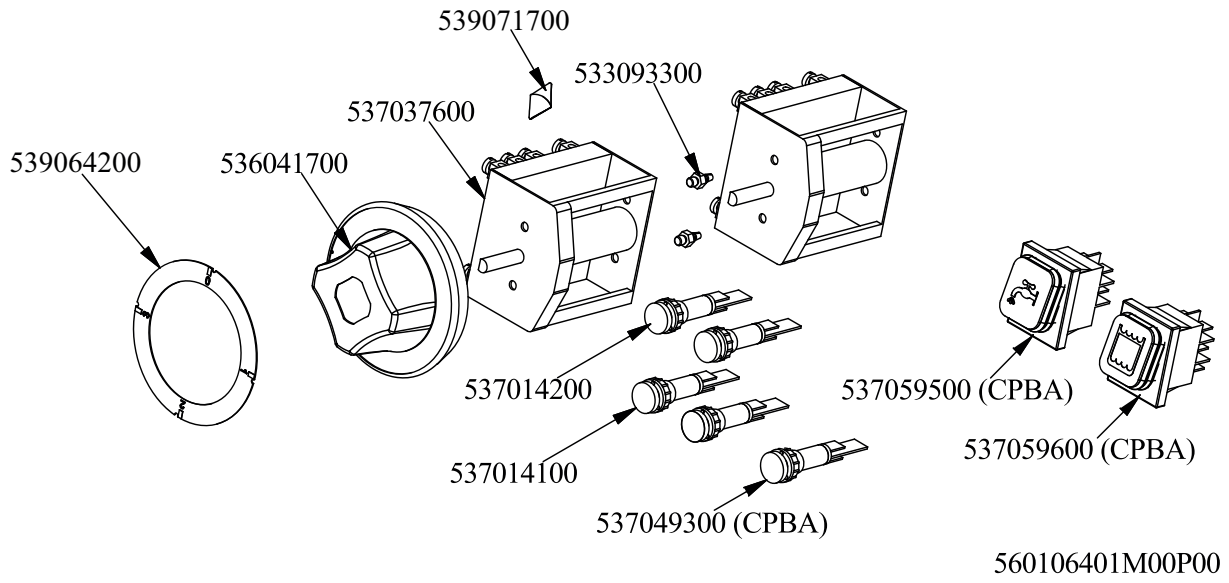
RM 900  
 Platný od 1.5. 2019  
 CPB-98ET



560029803M00P00

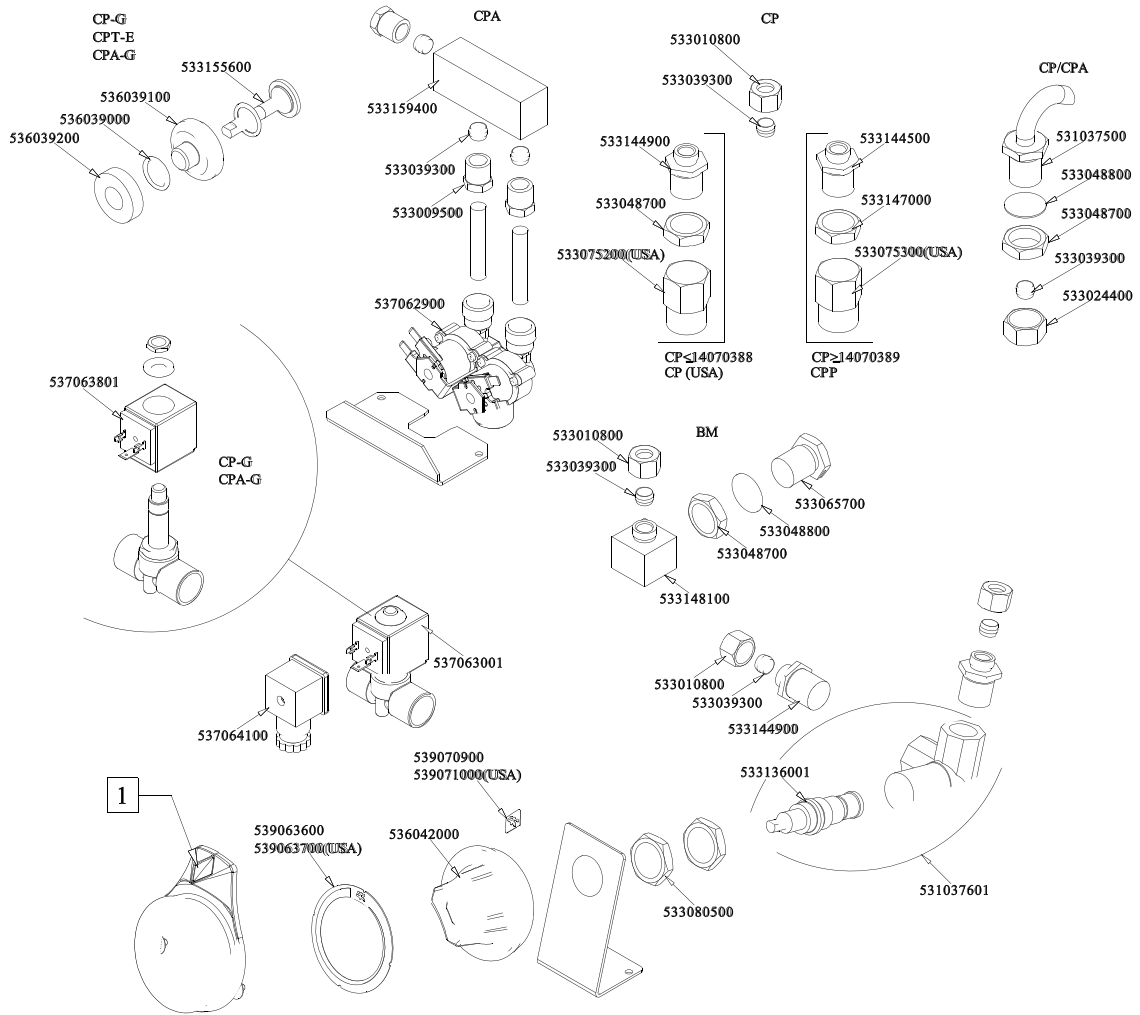


Objednací kód	Popis v ENG
536005200	INOX LEG 2" 120-180 M10
531047200	BASKET SUPPORT GRID CPB 70LINE
544425400	
531042800	SEMISPHERE FILTER
532004100	FLUE GRID L=370 90LINE (RAF)
544407300	RIGHT SIDE PANEL 90 LINE
537036500	TERMINAL BLOCK 4POLES 40A SCREW-SCR
537027400	TERMINAL BLOCK THREEPHASE 40A
537050401	SAFETY THERMOSTAT 185°C THREEPHASE
533044402	M8 THREADED CAP FOR SEC.THERMOSTAT
546005500	RUBBER TUBE §25INT.*§33EXT.XL=660
533039900	PIPE HOLDER 1" G M D.24
533157300	
533157400	
531018600	BALL VALVE 1"G M-F CPM-62G
533040000	1"G F-F-F "T" FITTING
533149500	
533157500	
544407400	LEFT SIDE PANEL 70 LINE
537044800	HEATING EL.13500W 230V 3 ROTAT.EL.
541115502	
541289301	
-	-
-	-
-	-
-	-
-	-

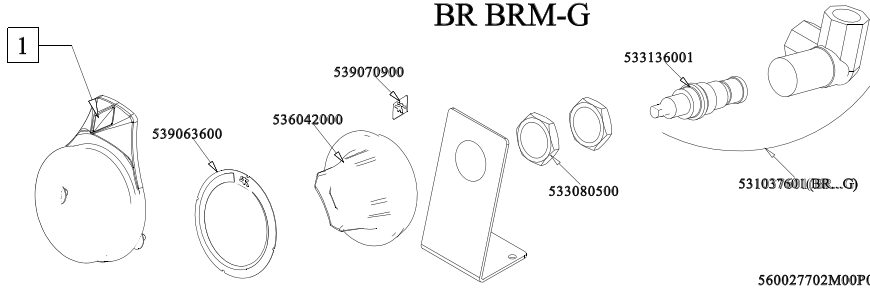




Objednačí kód	Popis v ENG
539064200	BLACK ADESIVE DISK FOR CPT-ET
536041700	SILVER CHROM. KNOB Ø77 4P.G.Ø06X4,6
537037600	COMMUTATOR 4 POS.3PHASE S.43 32A
539071700	ADHES.LABEL FOR RING GREEN SIGN.
533093300	LOCKING PIN SWITCH S.43 THERMOST
537014100	WHITE WARNING LIGHT 250V
537014200	GREEN WARNING LIGHT 250V
537049300	RED WARNING LIGHT 12V
537059500	P.D. BLUE SWITCH
537059600	

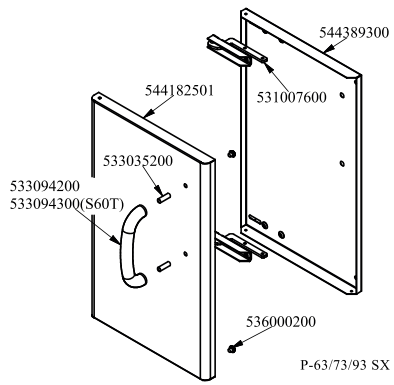


BR BRM-G

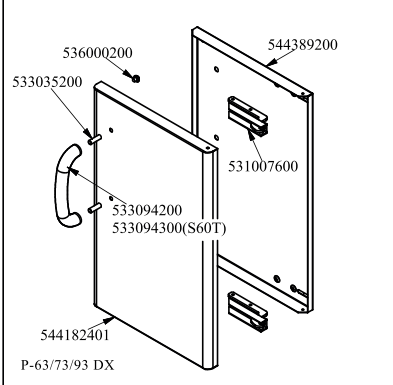




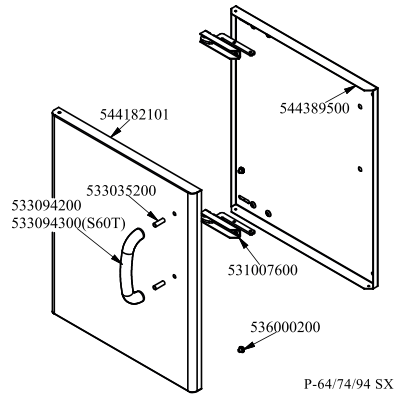
Objednací kód	Popis v ENG
536042000	SILVER CHROM. KNOB Ø77 4P.G.Ø8SX6,5
533136001	SCREW TAP WATER LOAD FOR CP S70/90
531037601	TAP FOR WATER 90°DX CP
539063600	ADHESIVE DISK 72 FOR DRAIN COCK
539070900	ADHES.LABEL FOR RING WATER TAP
531037601	TAP FOR WATER 90°DX CP
533010800	TUBE NUT D.10 M16*1,5
533039300	BICONE §10
533144900	MALE FITTING WATER INLET M16X1,5
539071000	PROCESSING CODE
539063700	ADHESIVE DISK 72 FOR DRAIN COCK USA
533048700	NUT 1/2G ZN
533075200	PROCESSING CODE
533147000	BICONE FITTING 3/4G ZN
533144500	FITTING FOR WATER INPUT 3/4G
533075300	PROCESSING CODE
533080500	PROCESSING CODE
533148100	
533048800	GASKET §30*§21*2 FIBRE
533065700	FITTING FOR WATER INPUT 1/2G
531037500	PROCESSING CODE
533024400	HEXAGONAL NUT 1/2G TUBE D.10
537062900	ELECTRO-VALVE 3/4GM-2Ø10JG 230V RPV
533009500	NIPPLE FOR BICONE 10S
533159400	
536039000	GASKET O-RING 12,42X1,78 SILIC.
536039100	GUIDE FOR WATER SENSOR
533155600	PIVOT SENSOR FOR WATER
536039200	SPACER FOR WATER SENSOR
537064100	CONNECTION * ELECTROVALVE 537063001
537063801	
537063001	ELECTROVALVE G 1/2 230V
-	-



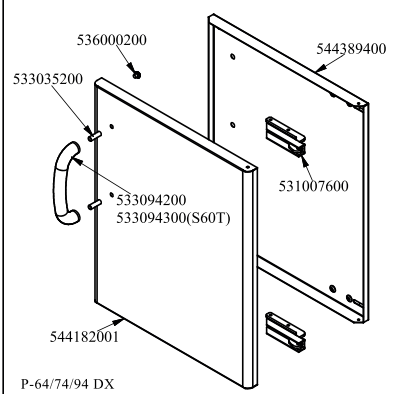
P-63/73/93 SX



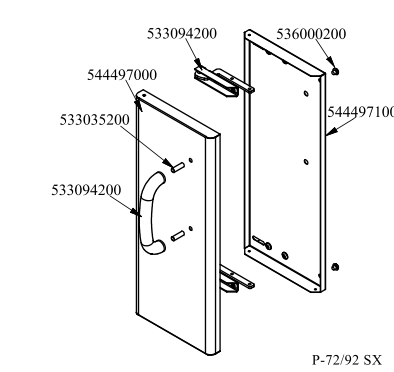
P-63/73/93 DX



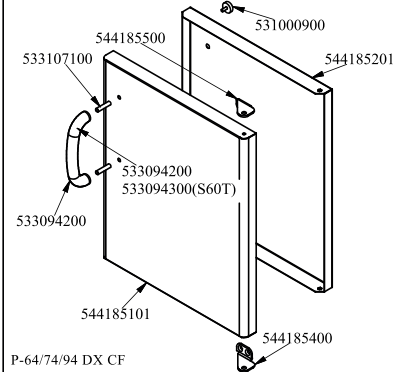
P-64/74/94 SX



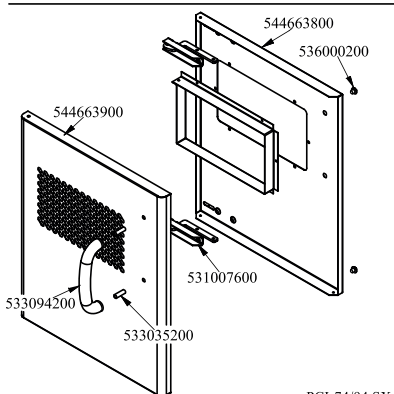
P-64/74/94 DX



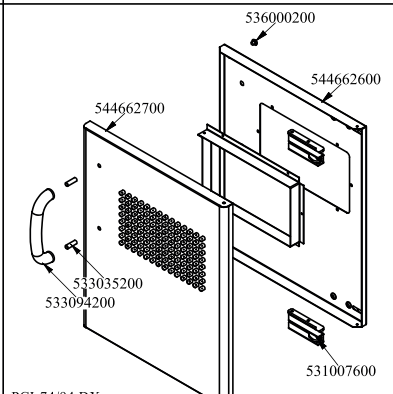
P-72/92 SX



P-64/74/94 DX CF



PCI-74/94 SX

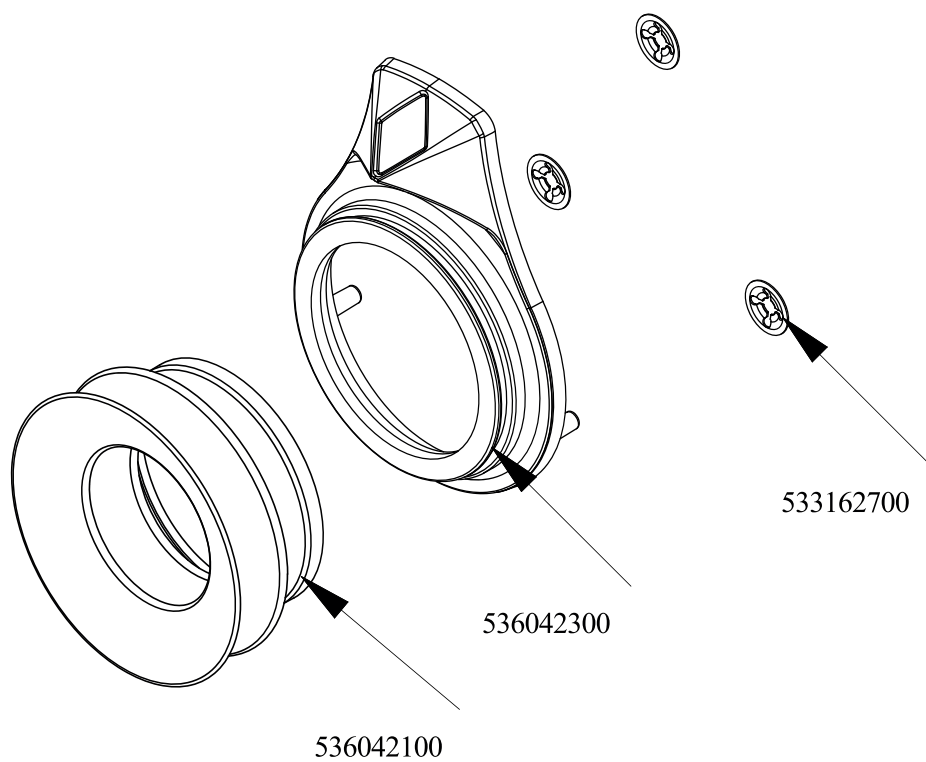


PCI-74/94 DX



Objednací kód	Popis v ENG
544185101	RIGHT DOOR 74 CF
533107100	HANDLE SPACER OF CF-70
533094200	S/S HANDLE FOR 70/90 SERIES
544185400	LOWER DOOR HINGE FOR COMPARTME CF70
544185500	UPPER DOOR HINGE FOR COMPARTME CF70
544185201	INNER DOOR * 74DX
531000900	MAGNET §22 KG.3 WITH DISK
536000200	D.12 H.4 BUMPER
544182001	RIGHT DOOR 74
531007600	DOOR HINGE
544389400	
533035200	HANDLE SPACER
544182101	LEFT DOOR 74
544389500	INNER-DOOR OF LHD 74
544182401	RIGHT DOOR 73
544389200	
544389300	
544182501	LEFT DOOR 73
544497000	
544497100	
544663900	LHD 74 DOOR FOR PCI
544663800	74 LHD OVEN INNER DOOR FOUR PCI
544662700	DOOR 74 DX PCI
544662600	
533094300	S/S HANDLE FOR 600T.LINE

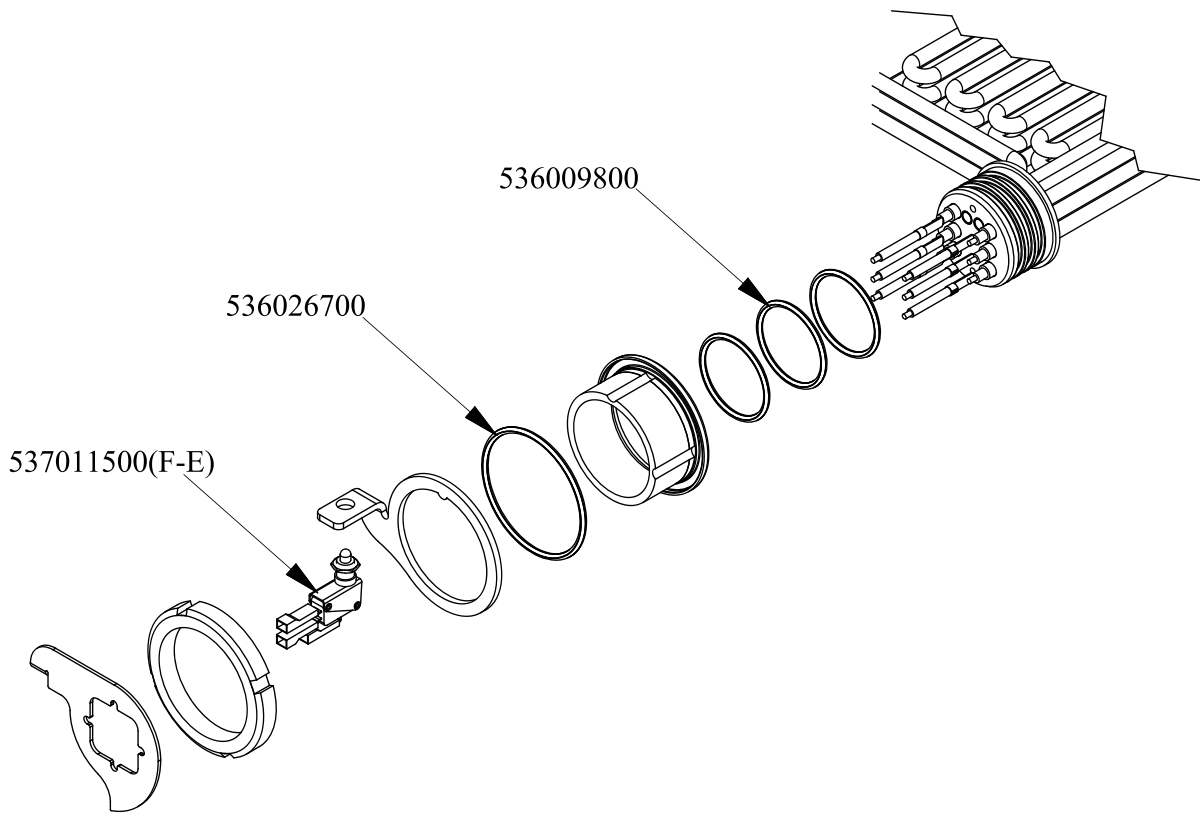




560125700M00P00



Objednací kód	Popis v ENG
536042300	SILVER CHROM. RING FOR KNOB Ø77 4 P
536042100	SEAL CASING FOR KNOB Ø77 4 P
533162700	PROCESSING CODE



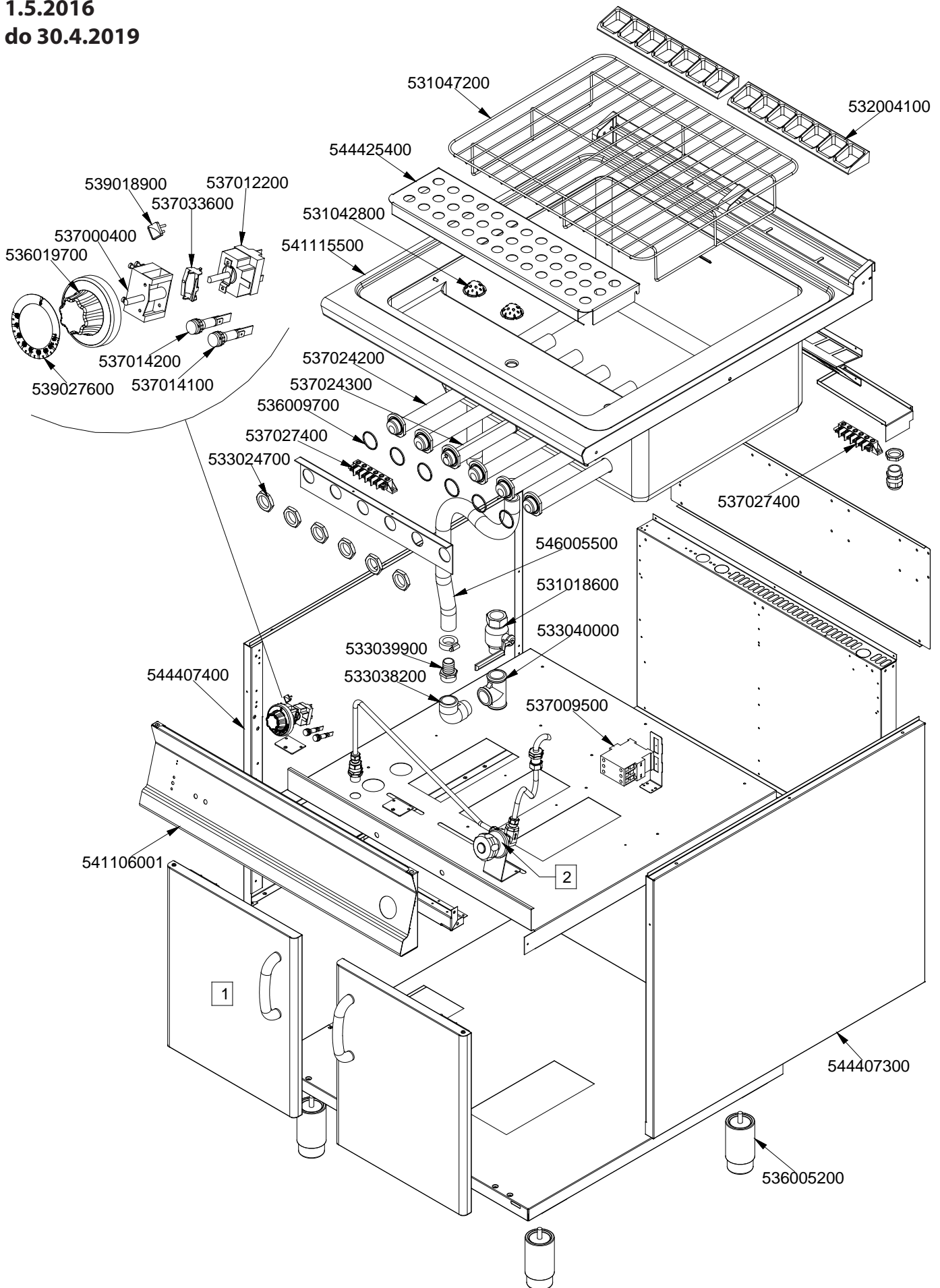
560111000M00P00



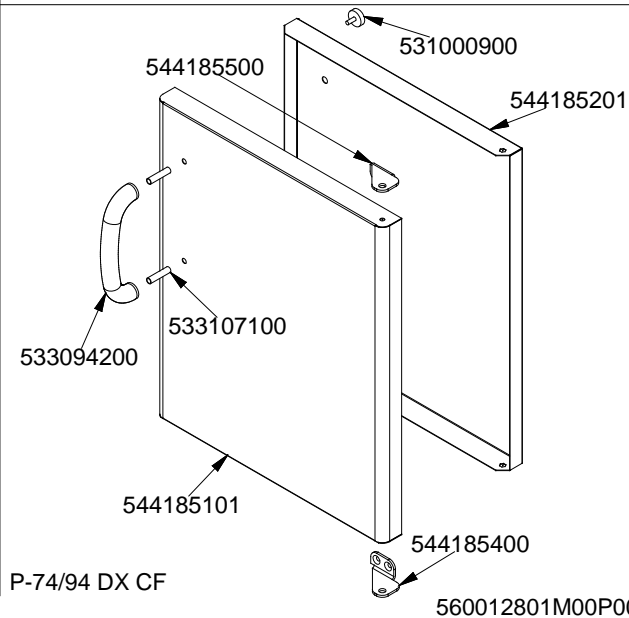
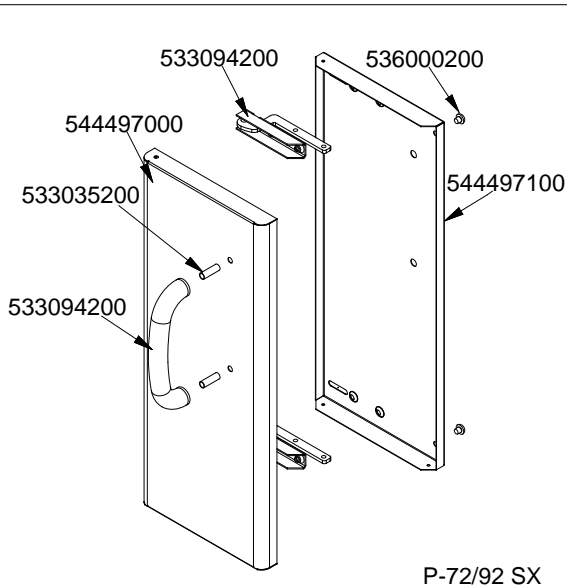
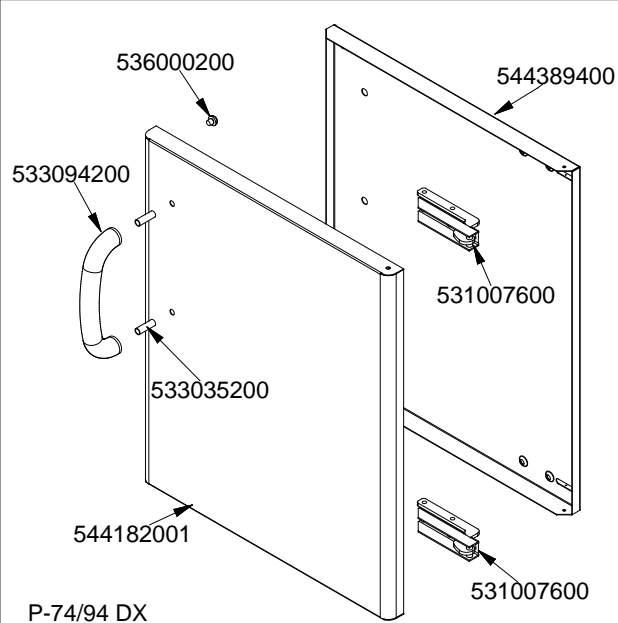
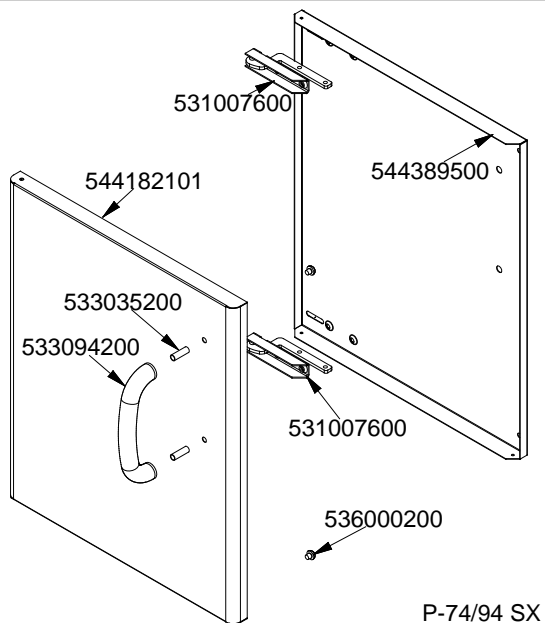
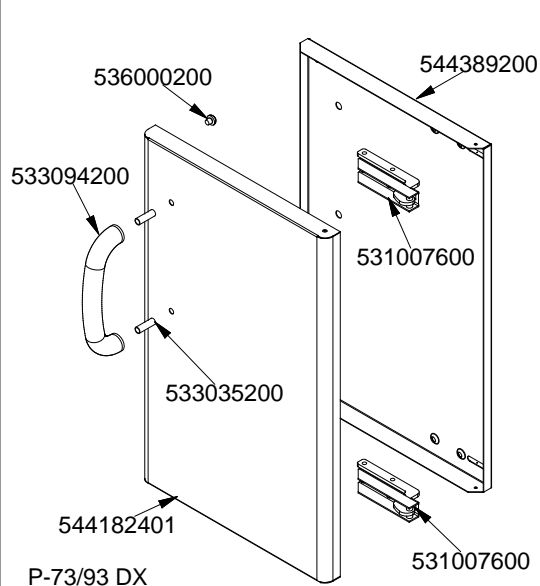
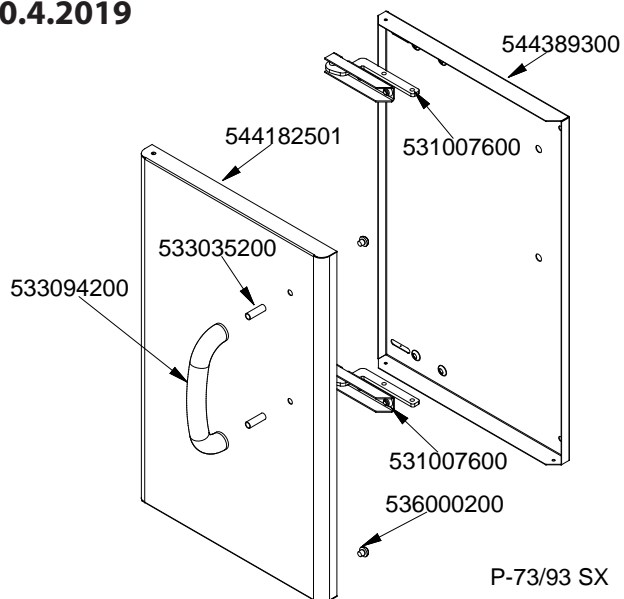
Objednací kód	Popis v ENG
536009800	GASKET O-RING 47,22X3,53 VITON
536026700	GASKET O-RING 74,61X3,53 VITON
537011500	MICRO-SWITCH 10A 400V



CPB - 98 ET  
Platný od  
1.5.2016  
do 30.4.2019

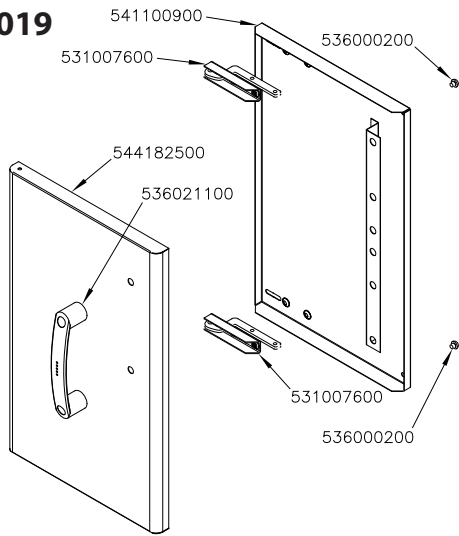


**CPB - 98 ET**  
**dveře N°od 0602**  
**Platný od**  
**1.5.2016**  
**do 30.4.2019**

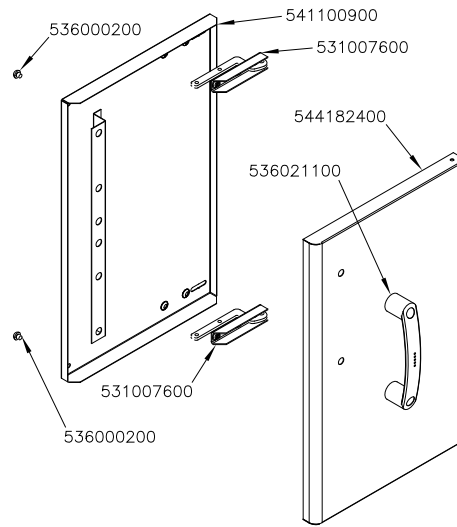




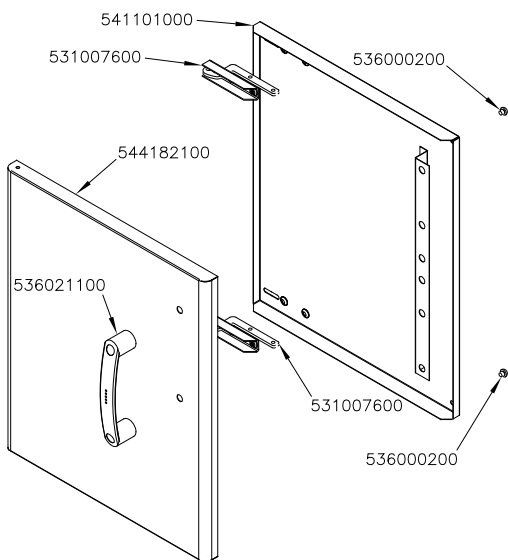
**CPB - 98 ET**  
**dveře N°do 0601**  
**Platný od**  
**1.5.2016**  
**do 30.4.2019**



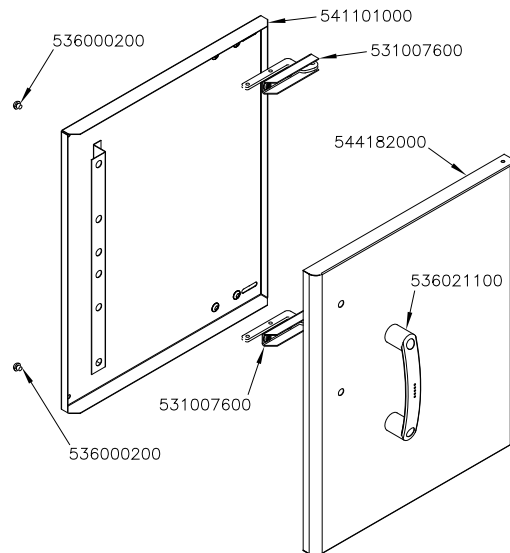
P-73/93 SX



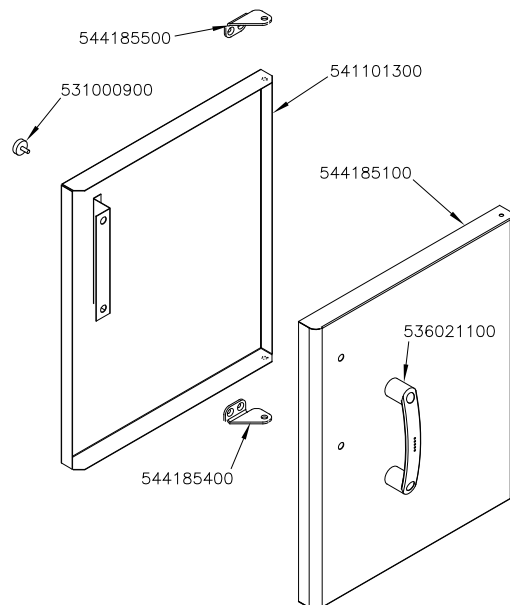
P-73/93 DX



P-74/94 SX



P-74/94 DX



P-74/94 DX CF

560012800M0P00



CPB - 98 ET  
Platný od  
1.5.2016  
do 30.4.2019

