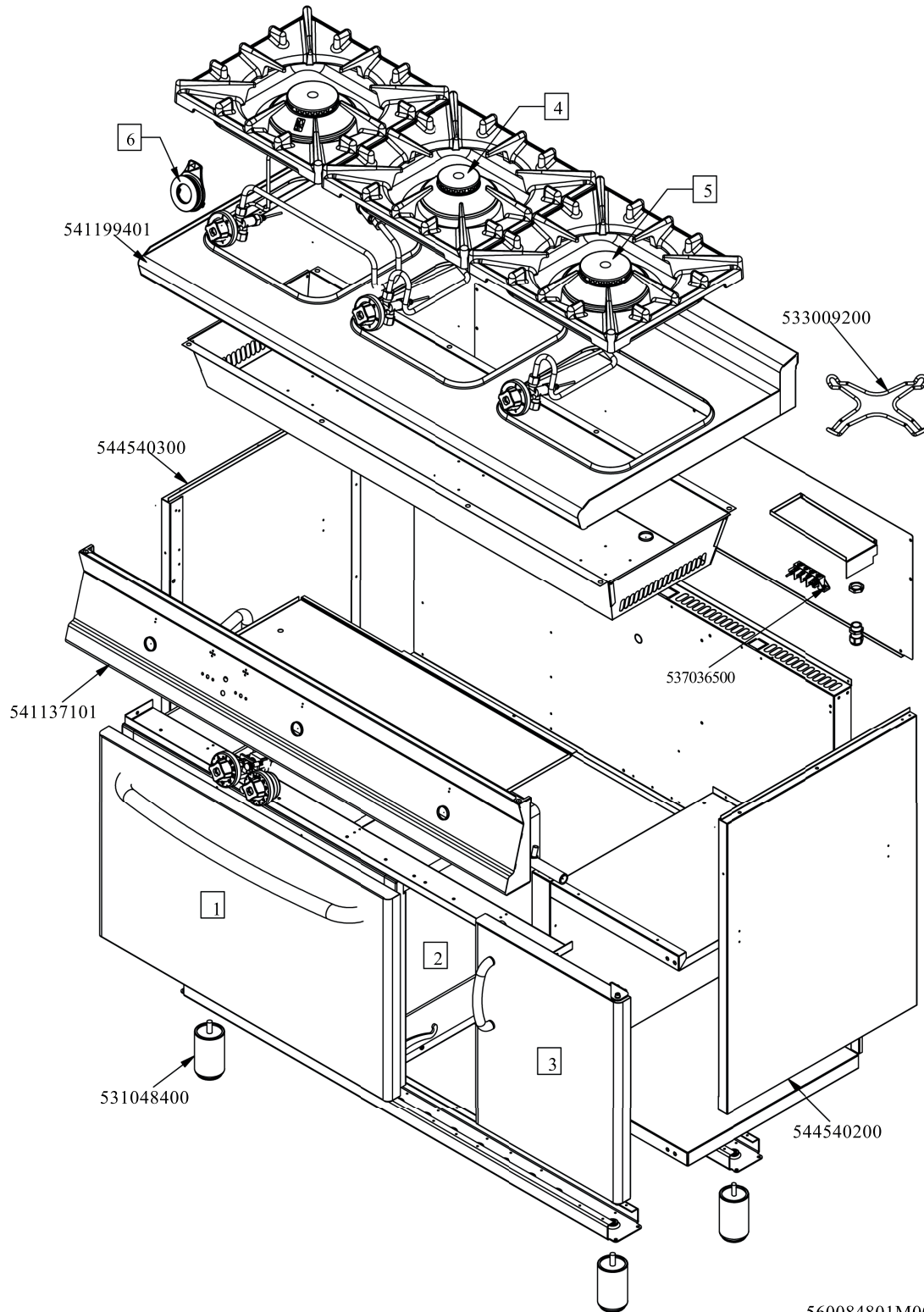
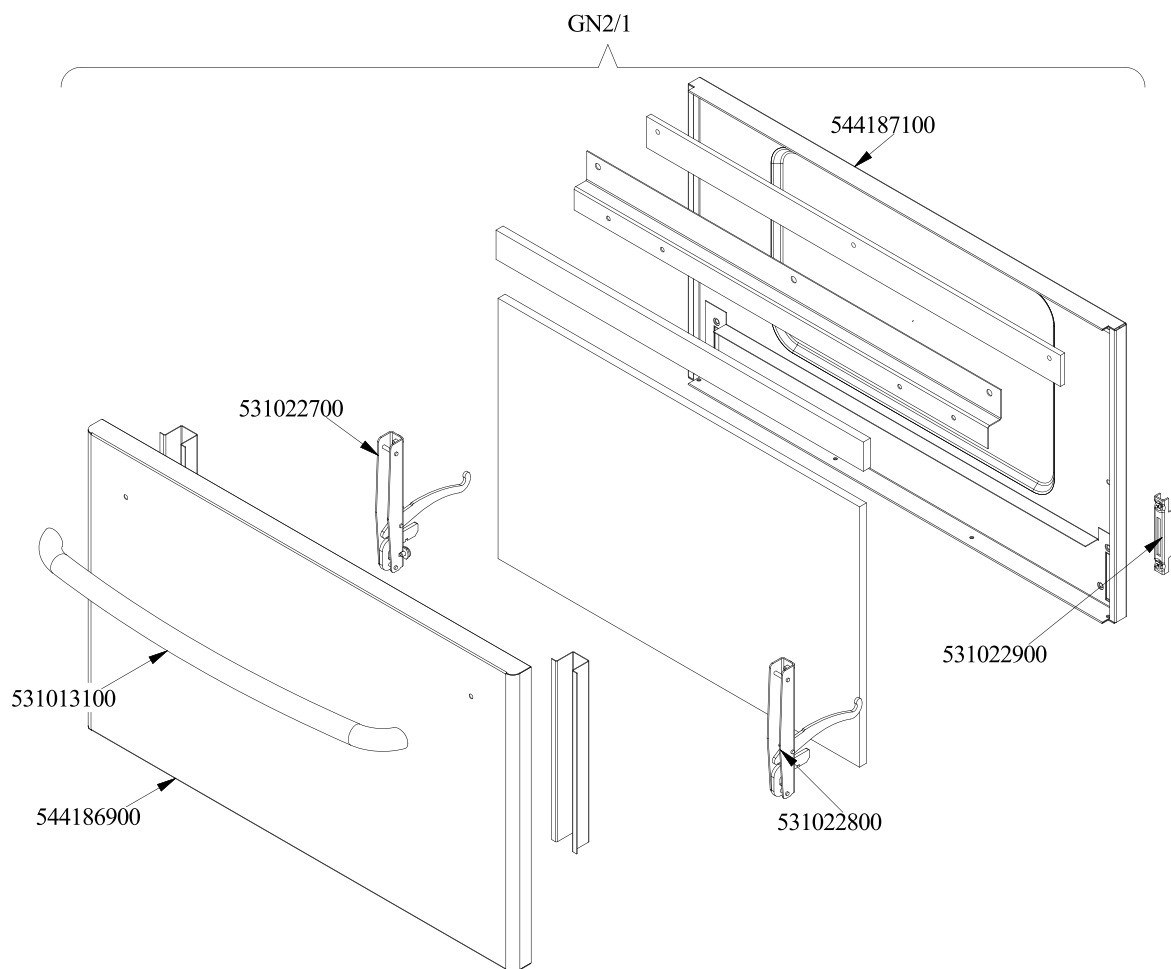




RM 600
 Platný od 1.5. 2019
 CF3-612GEMV



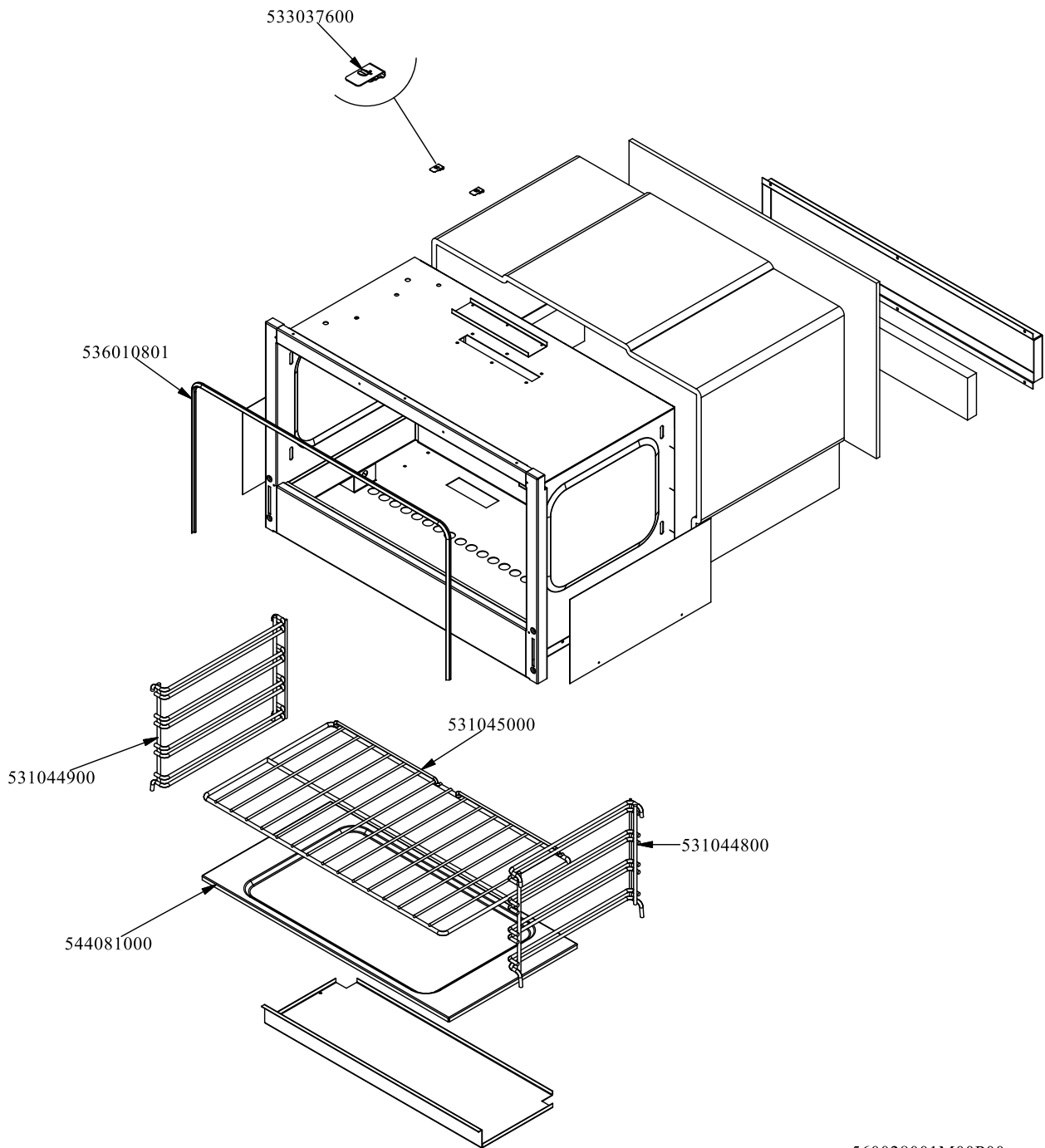
560084801M00P00.



560099800M01P00



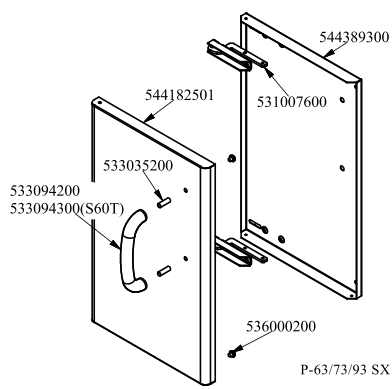
Objednací kód	Popis v ENG
GN2/1	PROCESSING CODE
544187100	OVEN INNER DOOR GN 2/1 70/90LINE
531022800	531022800N DOOR HINGE S.70
531013100	OVEN DOOR HANDLE OF 70/90-LINE
544186900	OVEN DOOR GN 2/1 70/90LINES
531022700	LEFT OVEN DOOR HINGE 70LINE
531022900	HINGE ROLLER HOLDER FOR 700-OVEN
GN3/1	PROCESSING CODE
541102300	GAS OVEN INNER DOOR GN 3/1 S.70
531022800	531022800N DOOR HINGE S.70
531013100	OVEN DOOR HANDLE OF 70/90-LINE
544187000	OVEN DOOR GN 3/1 S.70
531022700	LEFT OVEN DOOR HINGE 70LINE
531022900	HINGE ROLLER HOLDER FOR 700-OVEN



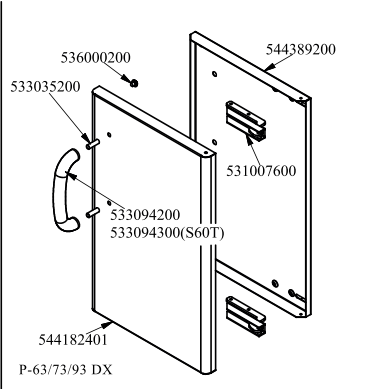
560028001M00P00.



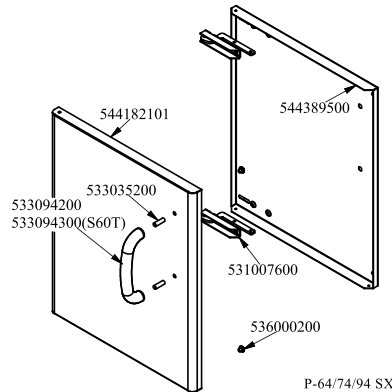
Objednací kód	Popis v ENG
536010801	OVEN GASKET GN 2/1 (1308)
531045000	GRID OVEN GN 1/1 S55
531044800	RHD SUPPORT GRID OVEN S55
531044900	LHD SUPPORT GRID OVEN S55
544081000	55 ELECRC OVEN BOTTOM GN1/1
533037600	LOCK SPRING FOR BULB
-	-



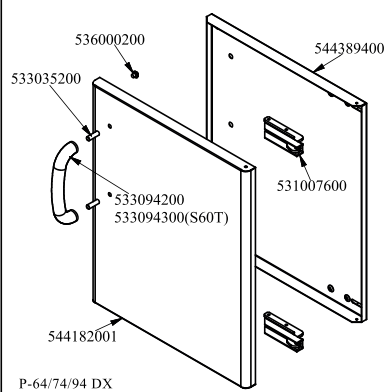
P-63/73/93 SX



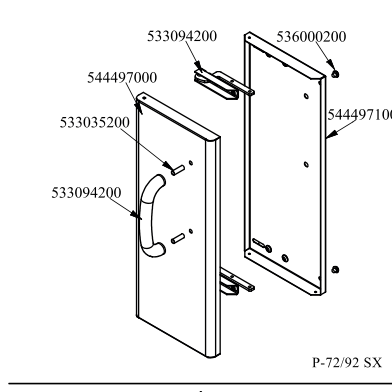
P-63/73/93 DX



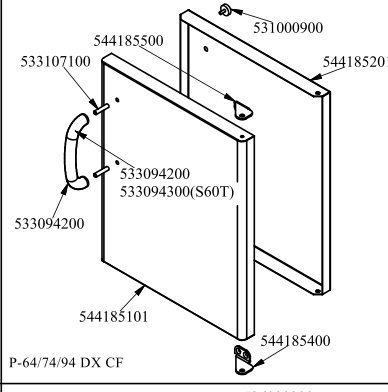
P-64/74/94 SX



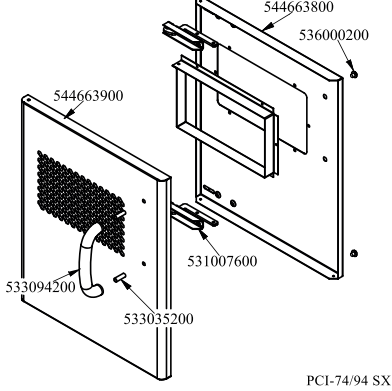
P-64/74/94 DX



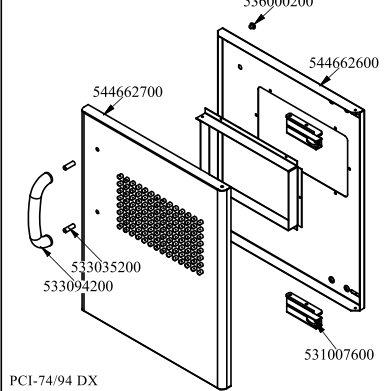
P-72/92 SX



P-64/74/94 DX CF



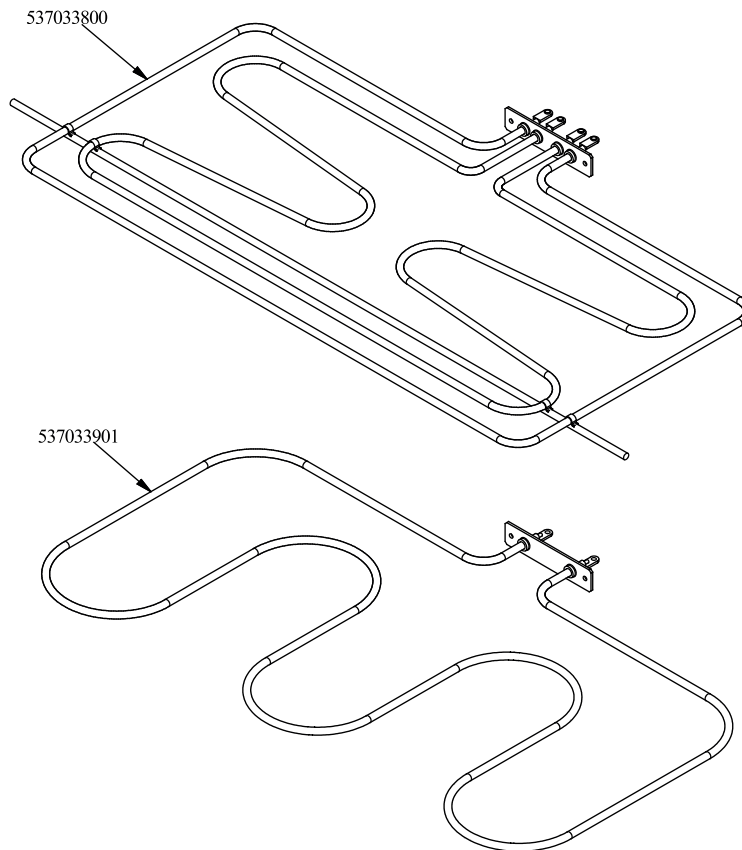
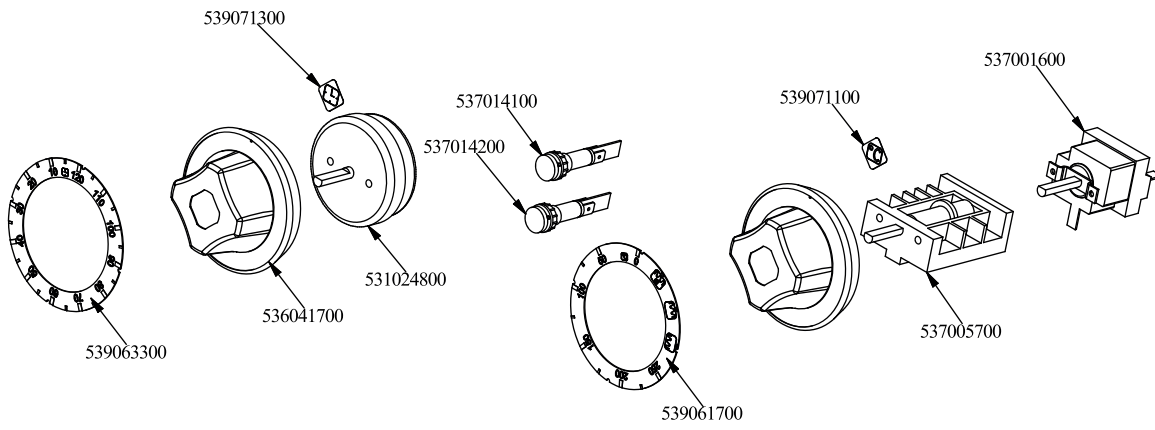
PCI-74/94 SX



PCI-74/94 DX



Objednací kód	Popis v ENG
544185101	RIGHT DOOR 74 CF
533107100	HANDLE SPACER OF CF-70
533094200	S/S HANDLE FOR 70/90 SERIES
544185400	LOWER DOOR HINGE FOR COMPARTME CF70
544185500	UPPER DOOR HINGE FOR COMPARTME CF70
544185201	INNER DOOR * 74DX
531000900	MAGNET §22 KG.3 WITH DISK
536000200	D.12 H.4 BUMPER
544182001	RIGHT DOOR 74
531007600	DOOR HINGE
544389400	
533035200	HANDLE SPACER
544182101	LEFT DOOR 74
544389500	INNER-DOOR OF LHD 74
544182401	RIGHT DOOR 73
544389200	
544389300	
544182501	LEFT DOOR 73
544497000	
544497100	
544663900	LHD 74 DOOR FOR PCI
544663800	74 LHD OVEN INNER DOOR FOUR PCI
544662700	DOOR 74 DX PCI
544662600	
533094300	S/S HANDLE FOR 600T.LINE

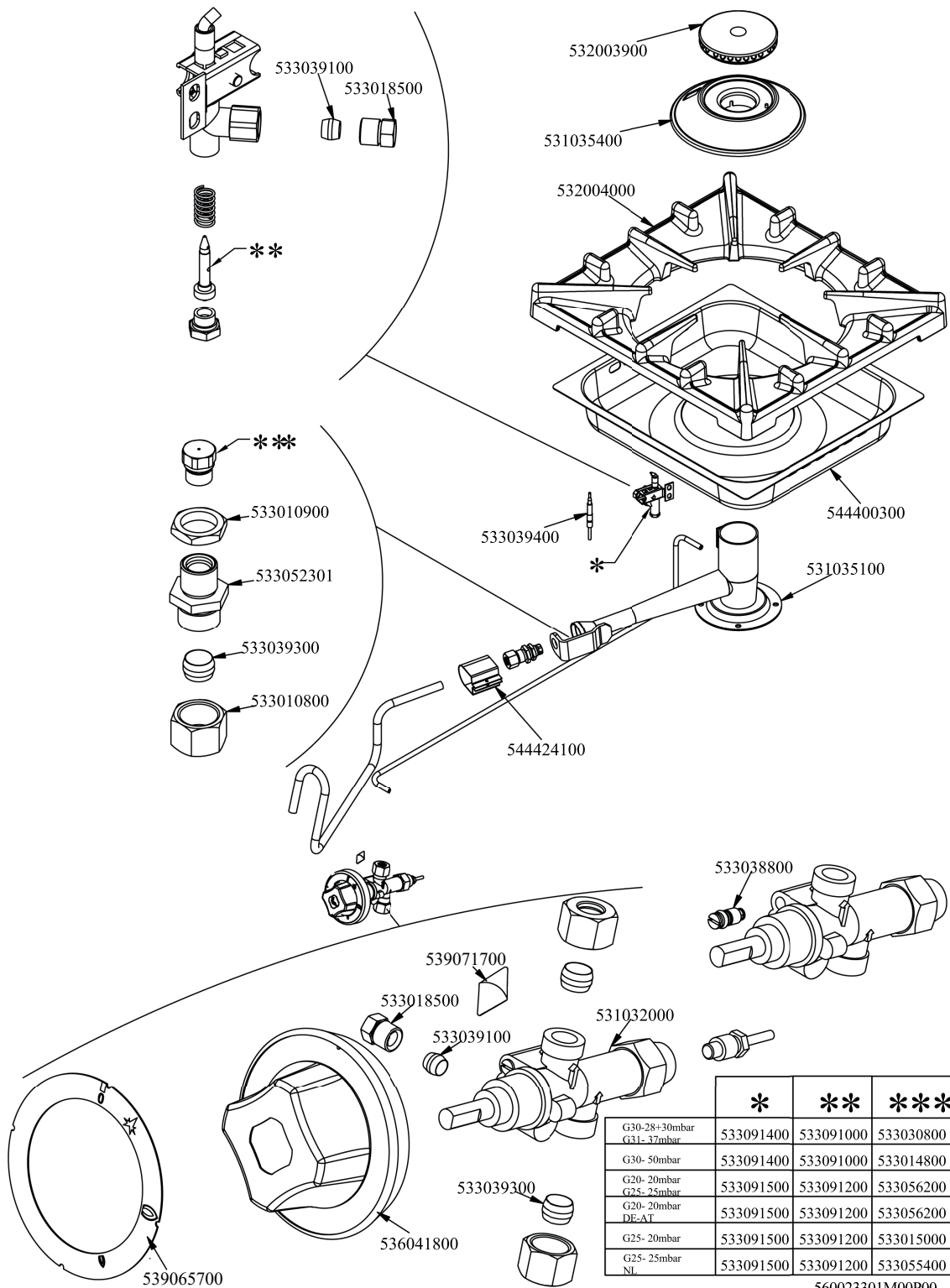




Objednací kód	Popis v ENG
539071100	
537001600	THERMOSTAT 50-320°C SINGLEPHASE
537005700	OVEN COMMUTATOR CF-8/10 EL.
539061700	ADESIVE DISK FOR SWITCH OVEN S60
537014200	GREEN WARNING LIGHT 250V
537014100	WHITE WARNING LIGHT 250V
536041700	SILVER CHROM. KNOB Ø77 4P.G.Ø06X4,6
531024800	TIMER 120'- 360°
539071300	
537033901	LOWER H.ELEMENT 1800W 230V 55-OVEN
537033800	HEATING ELEMENT 1250W+2700W 230V
539063300	ADESIVE DISK FOR TYMER GREY

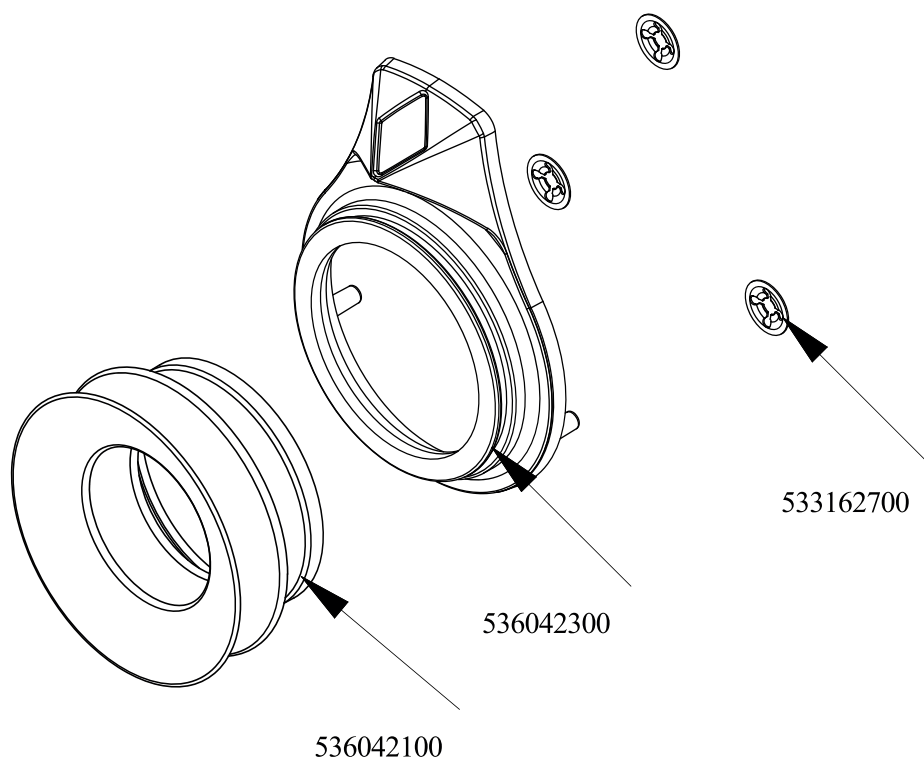


Objednačí kód	Popis v ENG
533043800	NOZZLE §130 CH12*14 G-CW4
533043900	NOZZLE §115 CH12*14 F-CW4
533044000	NOZZLE §195 CH12*14 M-CW4
533055100	NOZZLE §215 CH12*14 L-CW4
533055000	NOZZLE §205 CH12*14 G25 CW4
533091000	NOZZLE 0.100 §20
533091200	PILOT NOZZLE 0100 Ø35 PIL.PC
533091400	P.NOZZLE S100 UG.§20 PC90 LPG-FLUS
533091500	PILOT NOZZLE S.100 §30 PC90 NAT.GAS
539065800	BLACK STICKING DISK 72
536041800	SILVER CHROM. KNOB Ø77 4P.G.Ø08X6,5
533039100	BICONE §6
533010900	NUT M14*1 H.4
533052301	JOINT FOR NOZZLE HOLDER
533039300	BICONE §10
533010800	TUBE NUT D.10 M16*1,5
533018500	FITTING FOR BICONE D.6 M10*1
532003800	BURNER COVER RING §082
531035300	MEDIUM BURNER BODY 90 LINE
532004000	1 FLAME GRILL 396X366 (90)
544400200	BURNER DRIP PAN 2/3
531035000	MEDIUM BURNER VENTURI 90 LINE
544424100	AIR ADJUSTMENT BUSHING*BURNER PC90
533039400	THERMOCOUPLE M9*1*850
531043000	GAS COCK 21S P.V. BY-PASS §065
539071700	ADHES.LABEL FOR RING GREEN SIGN.
533080200	BY PASS COCK §65 20S-21S





Objednací kód	Popis v ENG
533030800	NOZZLE §155 CH12X14 M-CW
533014800	NOZZLE §135 CH12*14,0
533056200	NOZZLE §230 CH12*14
533015000	NOZZLE D.I 260 G110 (TOWN GAS)
533055400	NOZZLE §245 CH12*14
533091000	NOZZLE 0.100 §20
533091200	PILOT NOZZLE 0100 Ø35 PIL.PC
533091400	P.NOZZLE S100 UG.§20 PC90 LPG-FLUS
533091500	PILOT NOZZLE S.100 §30 PC90 NAT.GAS
539065800	BLACK STICKING DISK 72
536041800	SILVER CHROM. KNOB Ø77 4P.G.Ø08X6,5
533039300	BICONE §10
533039100	BICONE §6
531035400	BIG BURNER BODY 90 LINE
532004000	1 FLAME GRILL 396X366 (90)
544424100	AIR ADJUSTMENT BUSHING*BURNER PC90
533039400	THERMOCOUPLE M9*1*850
533018500	FITTING FOR BICONE D.6 M10*1
539071700	ADHES.LABEL FOR RING GREEN SIGN.
533010800	TUBE NUT D.10 M16*1,5
533052301	JOINT FOR NOZZLE HOLDER
533010900	NUT M14*1 H.4
532003900	BURNER COVER RING §100
544400300	BURNER DRIP PAN 2/3
531035100	BIG BURNER VENTURI 90 LINE
531032000	GAS COCK P.V.BY-PASS Ø075
533038800	75 BY-PASS FOR 2IS TAP



560125700M00P00



Objednačí kód	Popis v ENG
536042300	SILVER CHROM. RING FOR KNOB Ø77 4 P
536042100	SEAL CASING FOR KNOB Ø77 4 P
533162700	PROCESSING CODE

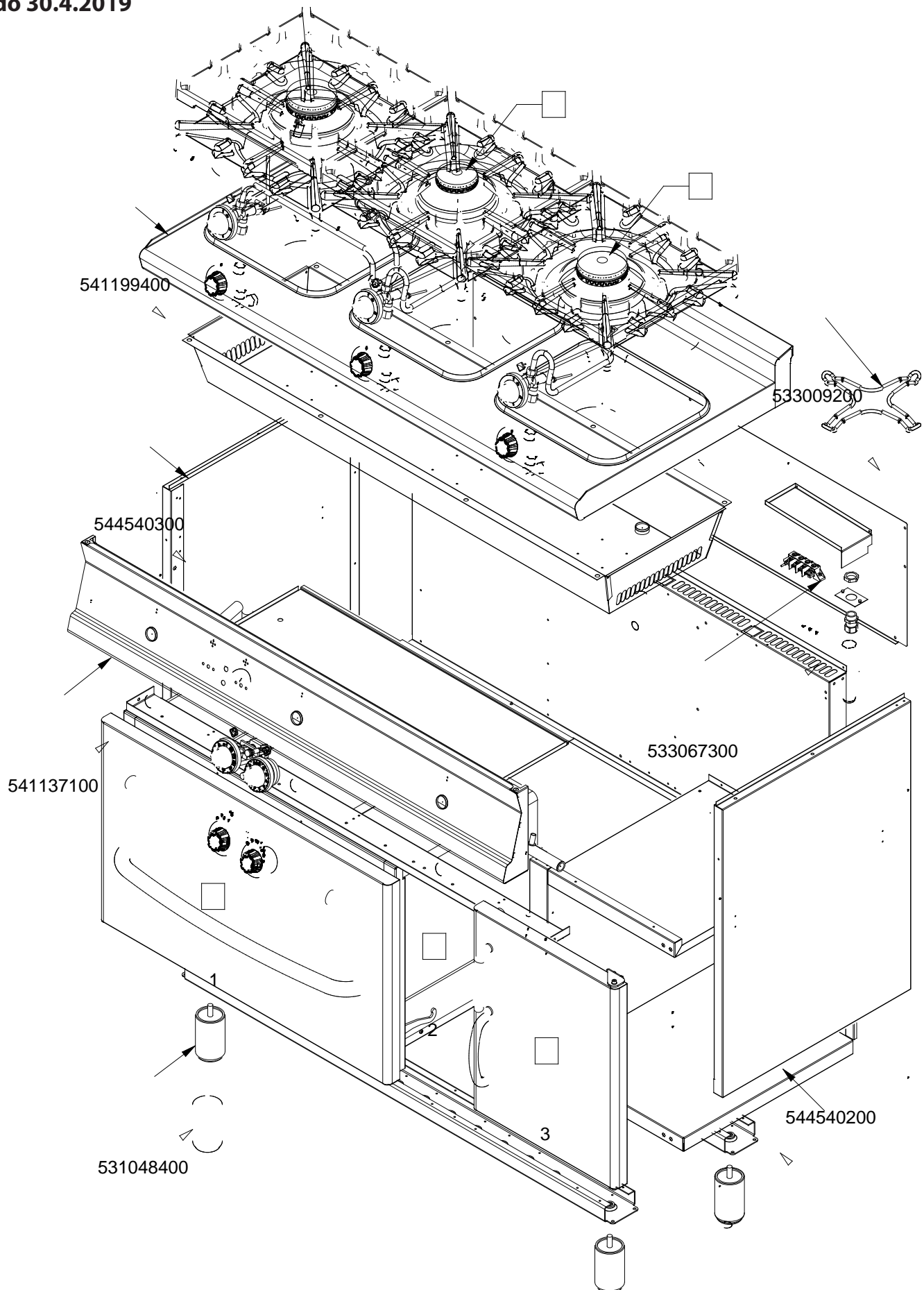


CF3 - 612 GEMV

Platný od

1.5.2016

do 30.4.2019



CF3 - 612 GEMV

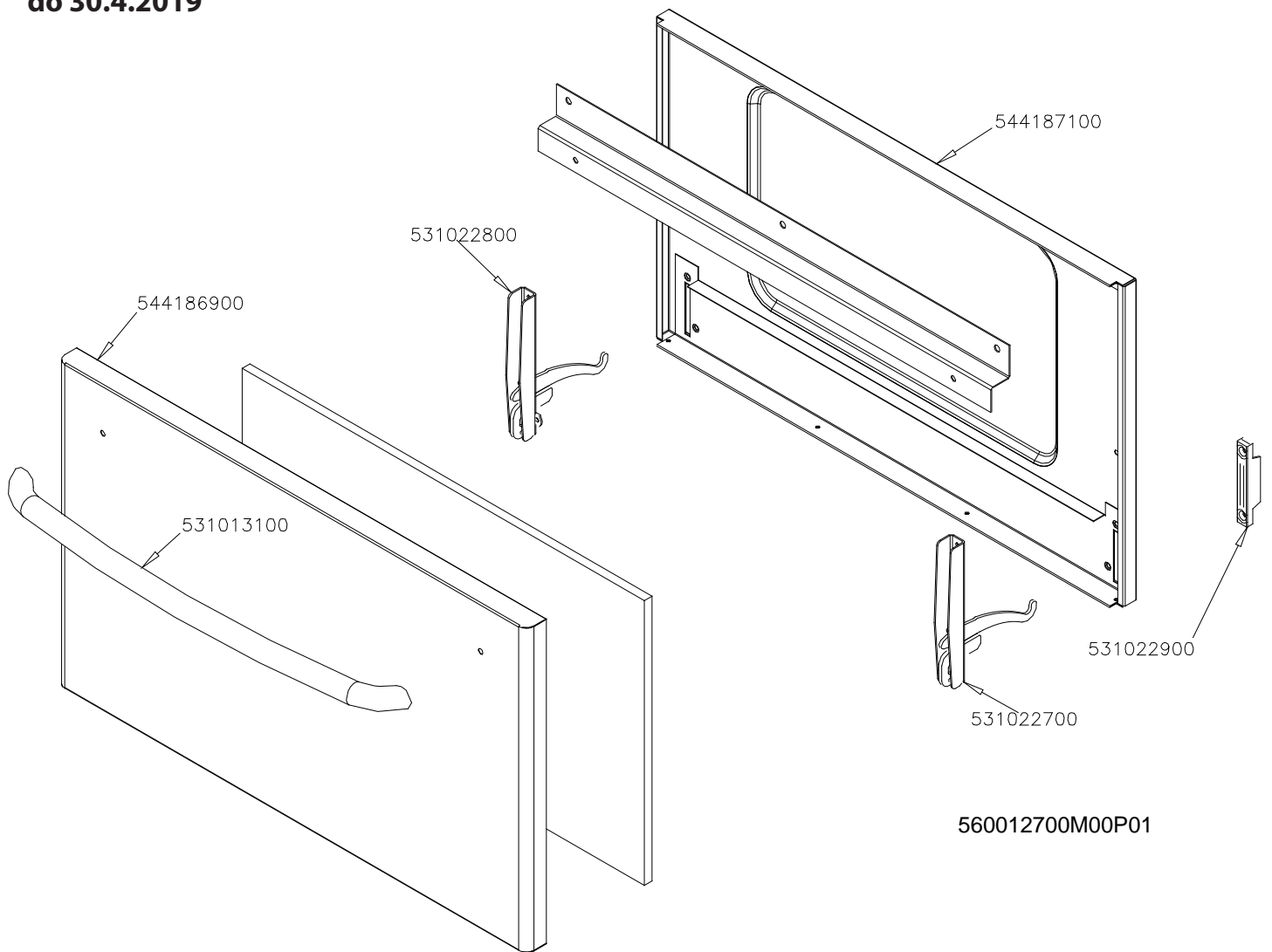
(1)

Platný od

1.5.2016

do 30.4.2019

GN 2/1



CF3 - 612 GEMV

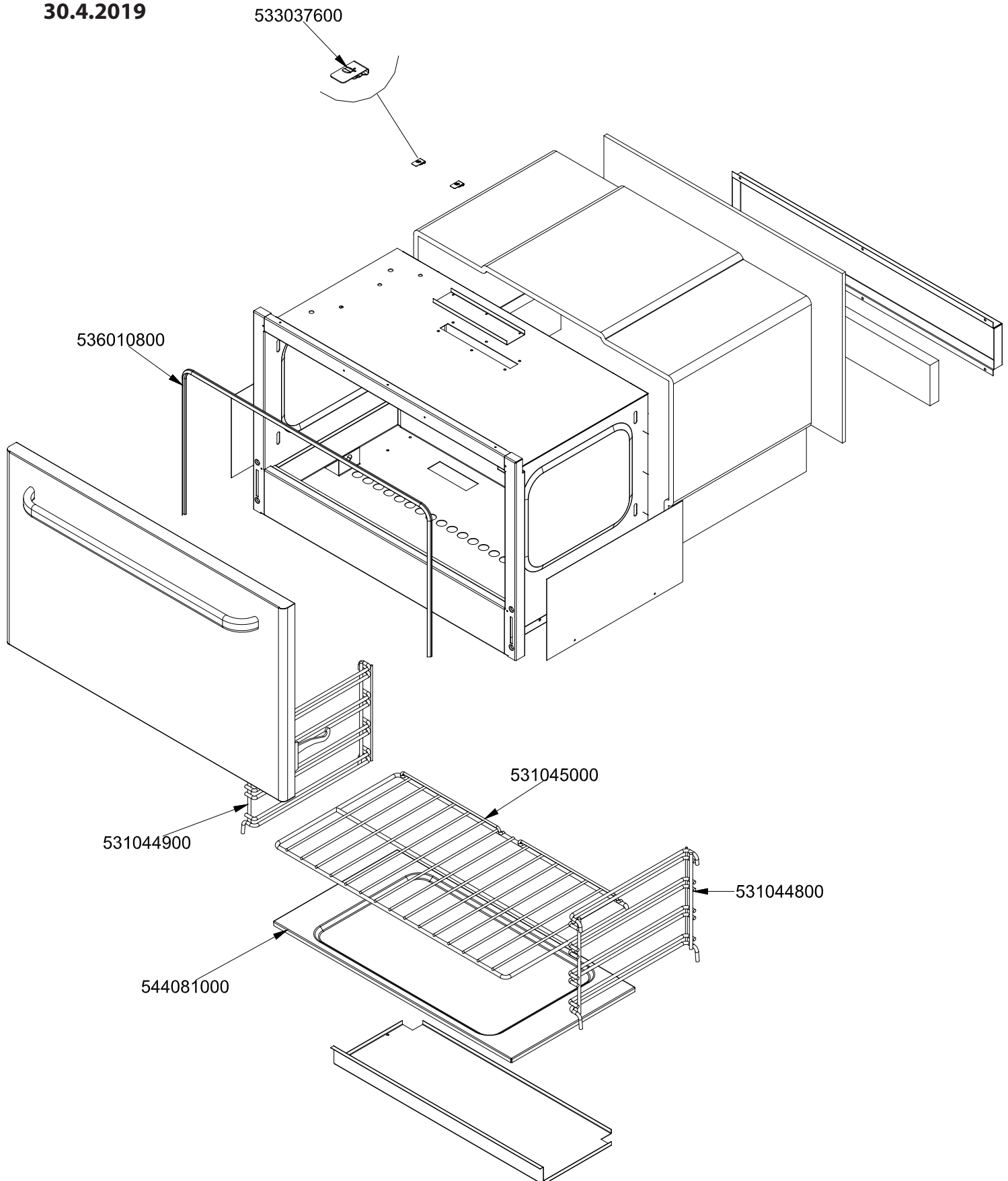
(2)

Platný od

1.5.2016

do

30.4.2019



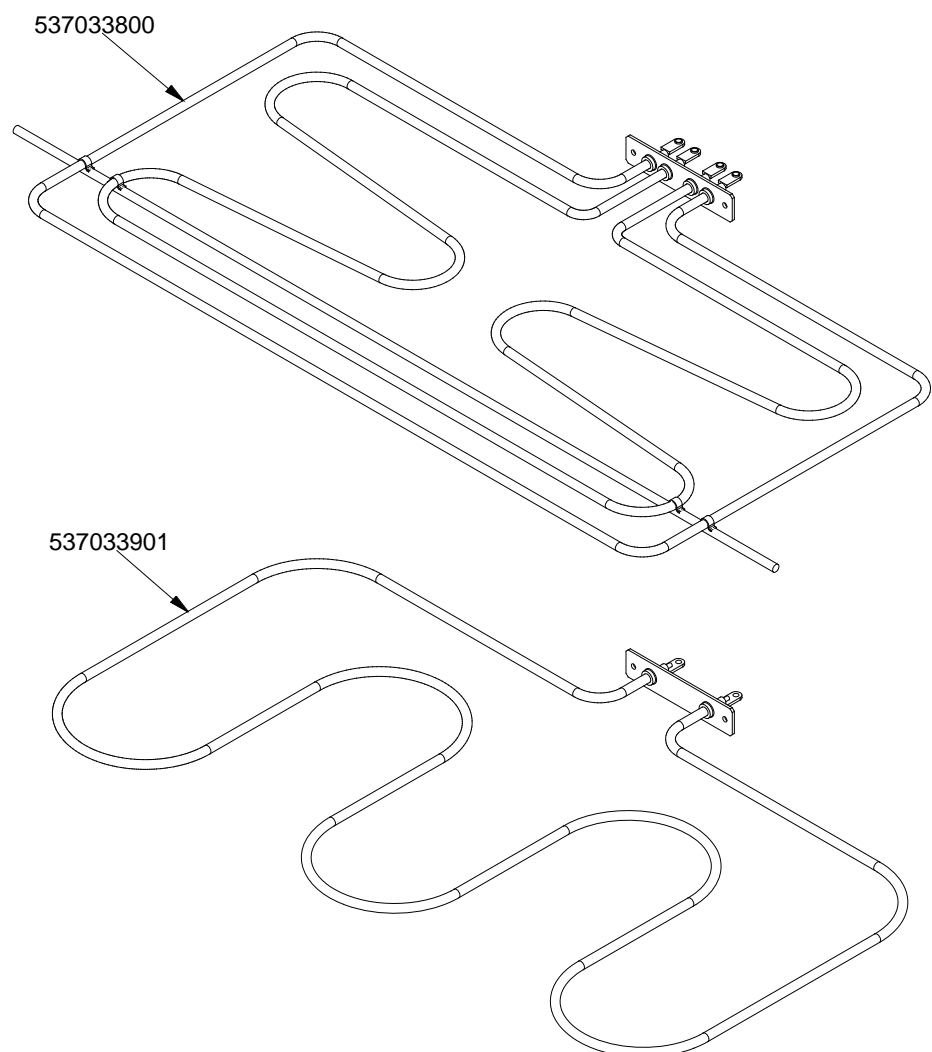
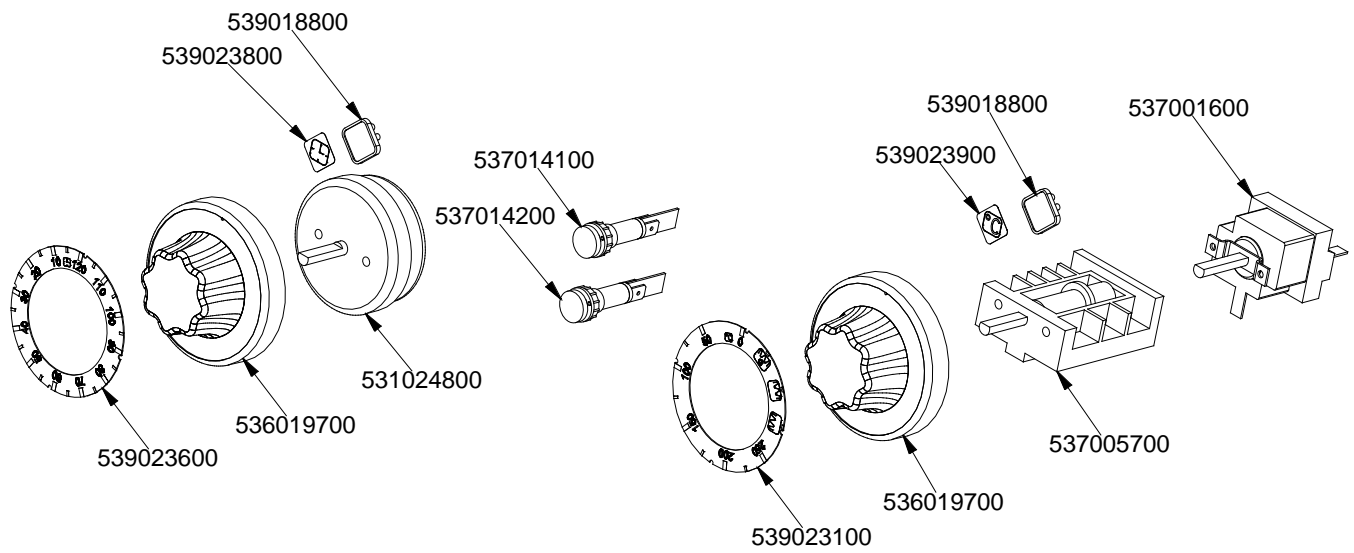
CF3 - 612 GEMV

(2)

Platný od

1.5.2016

do 30.4.2019





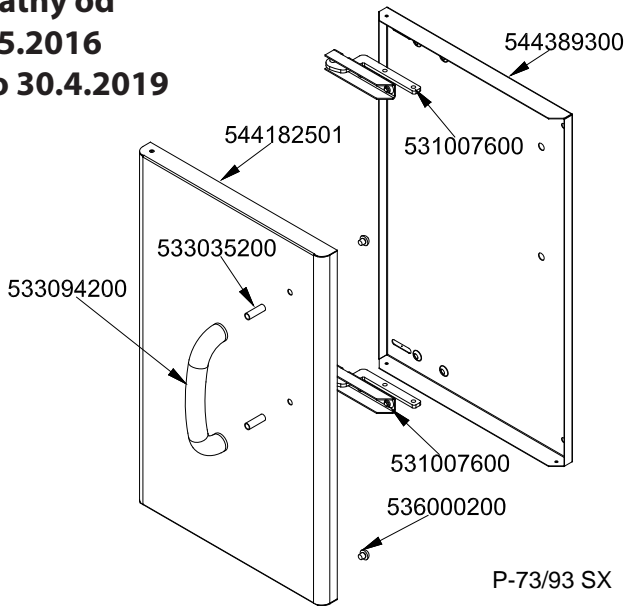
CF3 - 612 GEMV

(3)

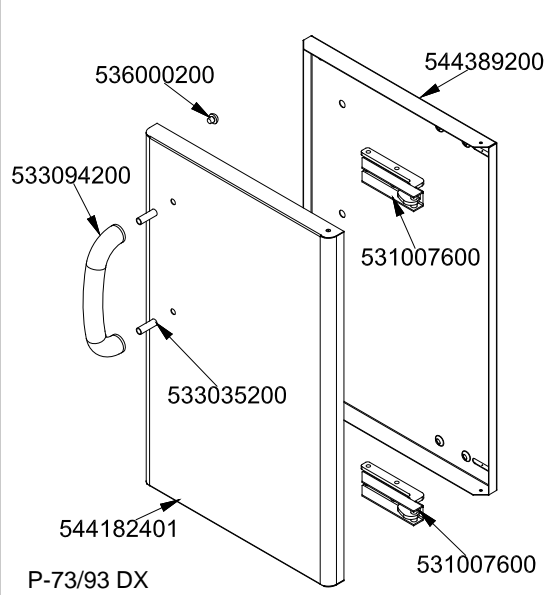
Platný od

1.5.2016

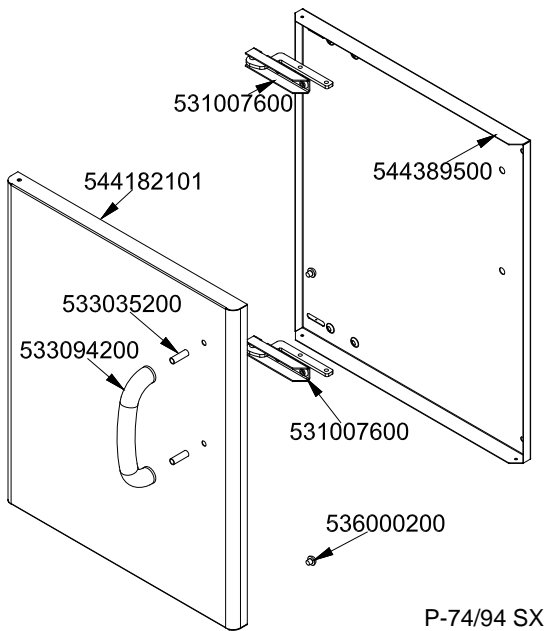
do 30.4.2019



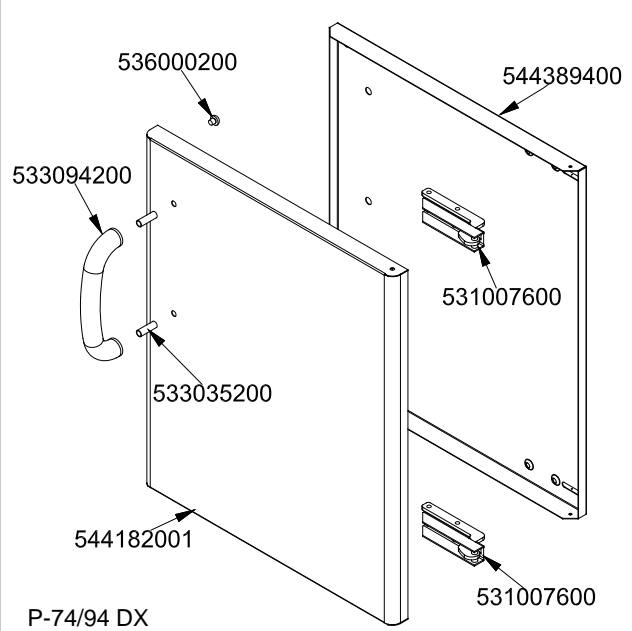
P-73/93 SX



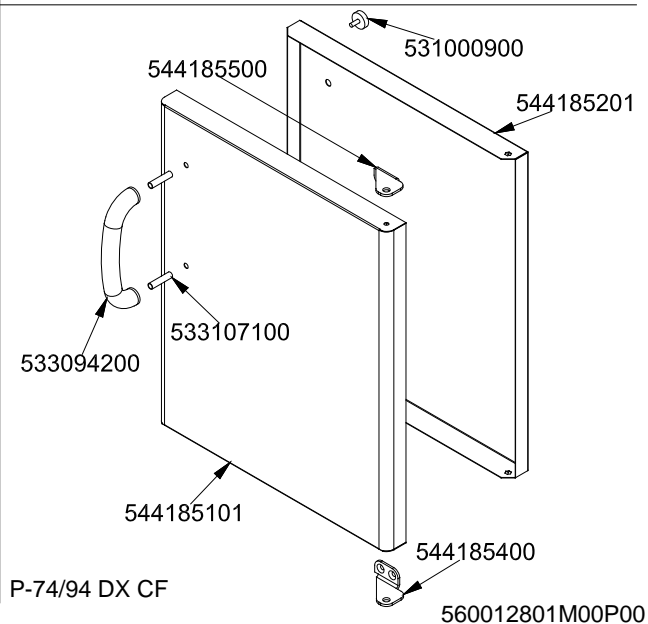
P-73/93 DX



P-74/94 SX



P-74/94 DX



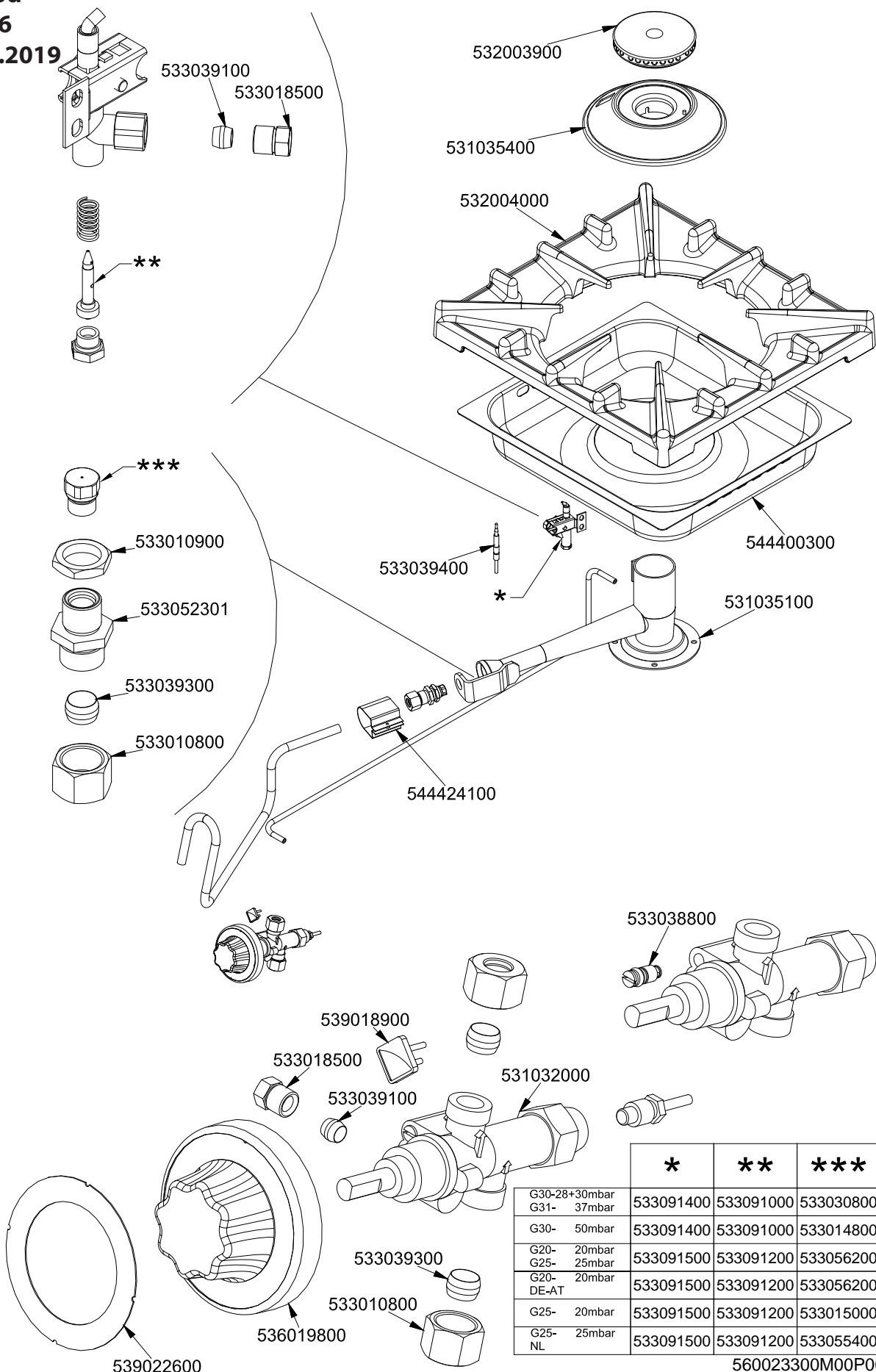
P-74/94 DX CF

560012801M00P00



CF3 - 612 GEMV

(4)
Platný od
1.5.2016
do 30.4.2019



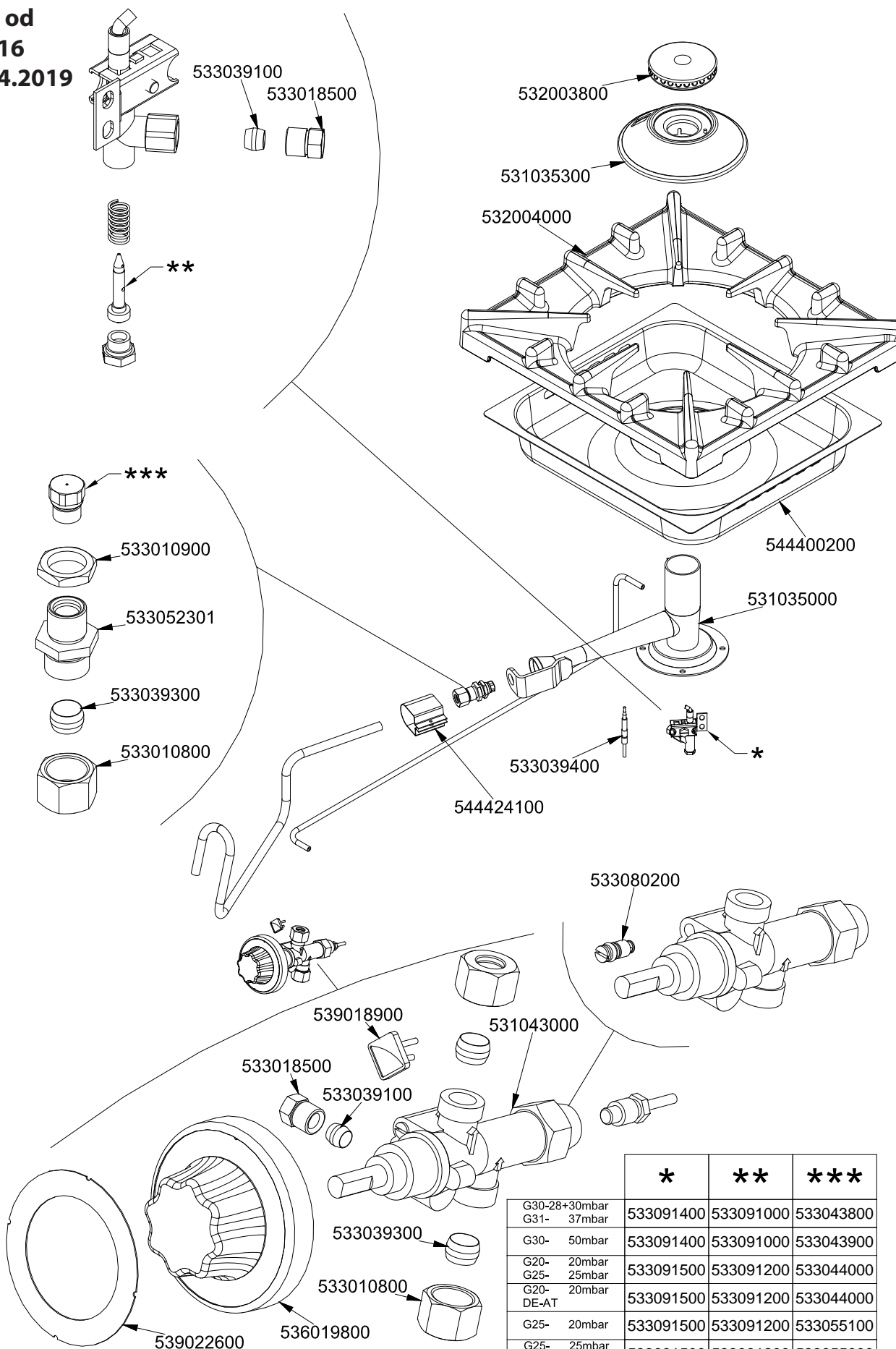
	*	**	***
G30-28+30mbar	533091400	533091000	533030800
G31- 37mbar	533091400	533091000	533014800
G30- 50mbar	533091400	533091000	533014800
G20- 20mbar	533091500	533091200	533056200
G25- 25mbar	533091500	533091200	533056200
G20- 20mbar DE-AT	533091500	533091200	533056200
G25- 20mbar	533091500	533091200	533015000
G25- 25mbar NL	533091500	533091200	533055400

560023300M00P00



CF3 - 612 GEMV

(5)
Platný od
1.5.2016
do 30.4.2019



	*	**	***
G30-28+30mbar G31- 37mbar	533091400	533091000	533043800
G30- 50mbar	533091400	533091000	533043900
G20- 20mbar G25- 25mbar	533091500	533091200	533044000
G20- 20mbar DE-AT	533091500	533091200	533044000
G25- 20mbar	533091500	533091200	533055100
G25- 25mbar NL	533091500	533091200	533055000