

Technical data sheet



Product features

Induction hob drop-in electric 9 power levels manual control panel 230 V

Model	SAP Code	00011149
--------------	-----------------	----------



– Control type: Digital

SAP Code	00011149	Net Weight [kg]	4.30
Net Width [mm]	380	Power electric [kW]	3.500
Net Depth [mm]	360	Loading	230 V / 1N - 50 Hz
Net Height [mm]	125		

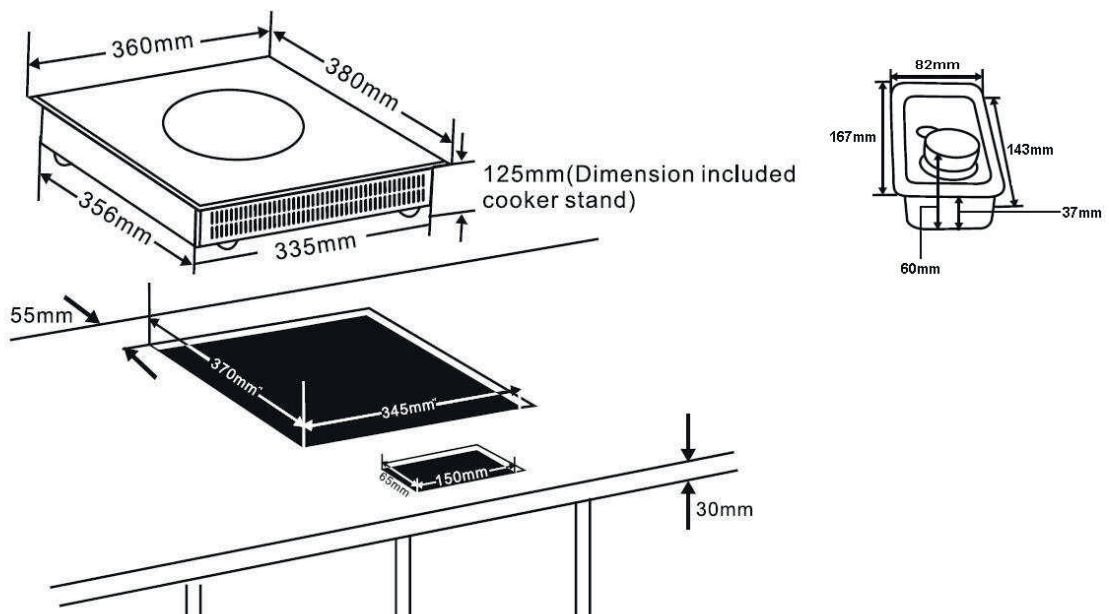
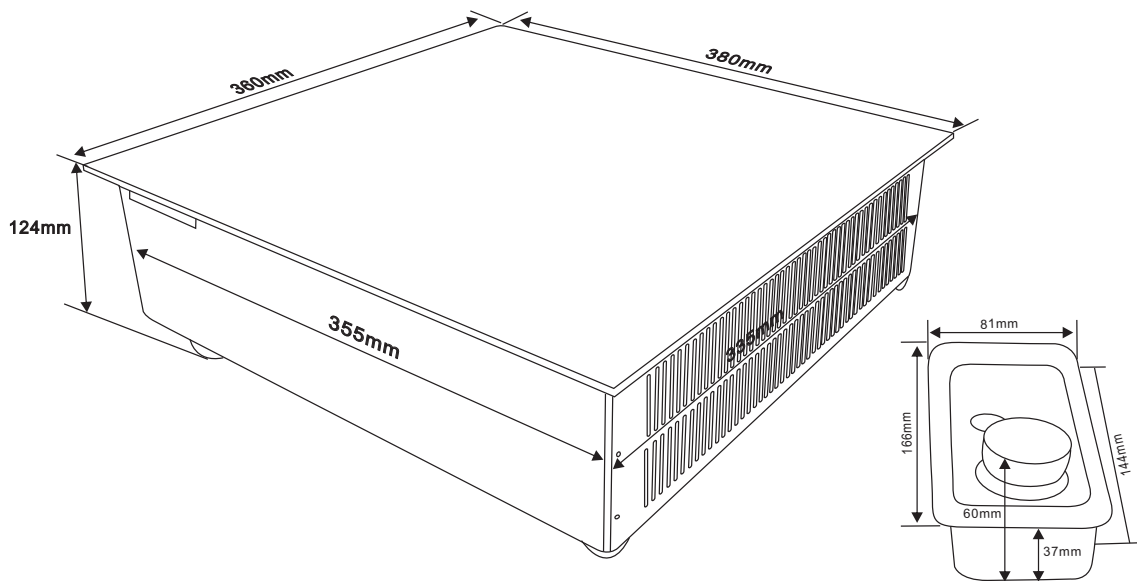
Technical data sheet



Technical drawing

Induction hob drop-in electric 9 power levels manual control panel 230 V

Model	SAP Code	00011149
-------	----------	----------



Technical data sheet



Product benefits

Induction hob drop-in electric 9 power levels manual control panel 230 V

Model	SAP Code	00011149
-------	----------	----------

- 1 Power consumption 3.5kW**
high performance
 - fast heating
- 2 Induction heating**
heating efficiency
 - cost and time saving
- 3 All-stainless design**
ensuring long life
high hygiene standard
 - safe and safe food preparation; long service life;
easy cleaning facilitates compliance with hygiene standards (HACCP)
- 4 Digital control**
in combination with a manual rotary knob
 - precise control
 - less control error
more comfortable operation
- 5 LED Display**
legible power settings
 - less control error
- 6 Table version**
delete the whole thing, it's a drop in
 - easily portable
 - can be placed anywhere on the table (in the table)
- 7 Dropin version**
the possibility of being built into the worktop
 - high variability high hygiene standard

Technical data sheet



Technical parameters

Induction hob drop-in electric 9 power levels manual control panel 230 V

Model	SAP Code	00011149
-------	----------	----------

1. SAP Code:

00011149

8. Gross Height [mm]:

150

2. Net Width [mm]:

380

9. Gross Weight [kg]:

5.50

3. Net Depth [mm]:

360

10. Device type:

Electric unit

4. Net Height [mm]:

125

11. Material:

Stainless steel

5. Net Weight [kg]:

4.30

12. Power electric [kW]:

3.500

6. Gross Width [mm]:

380

13. Loading:

230 V / 1N - 50 Hz

7. Gross depth [mm]:

500

14. Control type:

Digital