



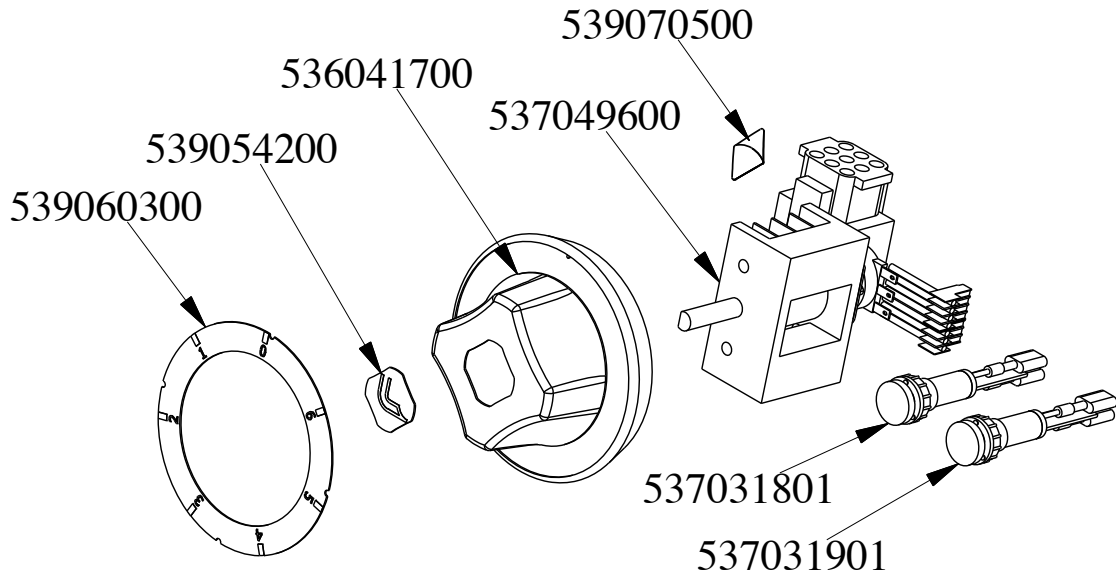
PCIT-94ET

2021_11

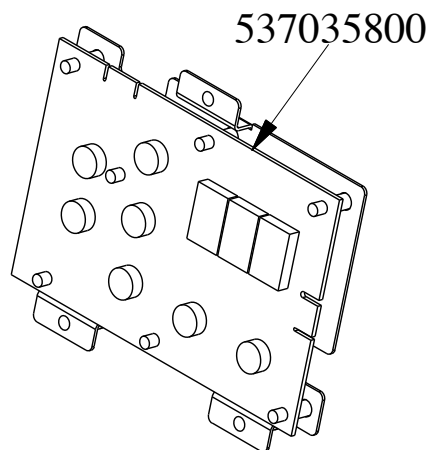
1

Kod	Nazev
532004100	FLUE GRID L=370 90LINE (RAF)
537027400	TERMINAL BLOCK THREEPHASE 40A
544446800	FIANCO APP.S90T DX
537048700	PLATE WITH INDUCTORS S90
544446900	LHD SIDE FOR 90T APPLIANCES
537045800	GENERATOR PCI-94 5KW 400V3 (C)
541118403	ASS.PIANO S90 PCI-94E VC
541112303	ASS.CRUSC.S607090 PCI-74E
533010500	LEG M10*25 D.40
531034800	NET FILTER FOR KSK

(ET)



(ETD)





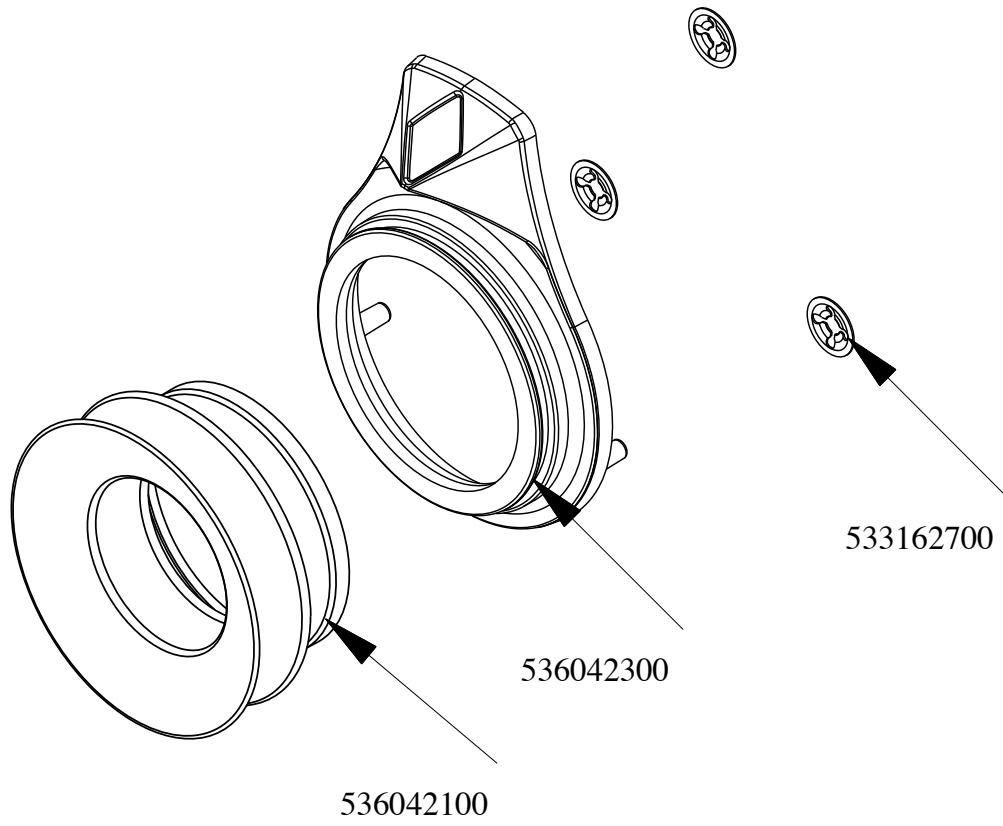
PCIT-94ET

2021_11

2

Kod	Nazev
539060300	RED ADESIVE DISK FOR PCC/PCI-E
539054200	STAMP Ø20,5 CR."L" LOTUS R.
536041700	SILVER CHROM. KNOB Ø77 4P.G.Ø06X4,6
537049600	COMPLETE CONTROL FOR INDUCTORS
539070500	ADHES.LABEL FOR RING RED SIGN.
537031801	GREEN WARNING LIGHT 12V E FASTON
537031901	RED WARNING LIGHT PCI 12V E FASTON
537035800	TOUCH ELECTRONIC BOARD FOR PCI

PCIT-94ET
2021_11
3





PCIT-94ET

2021_11

3

Kod	Nazev
536042300	SILVER CHROM. RING FOR KNOB Ø77 4 P
536042100	SEAL CASING FOR KNOB Ø77 4 P
533162700	PROCESSING CODE