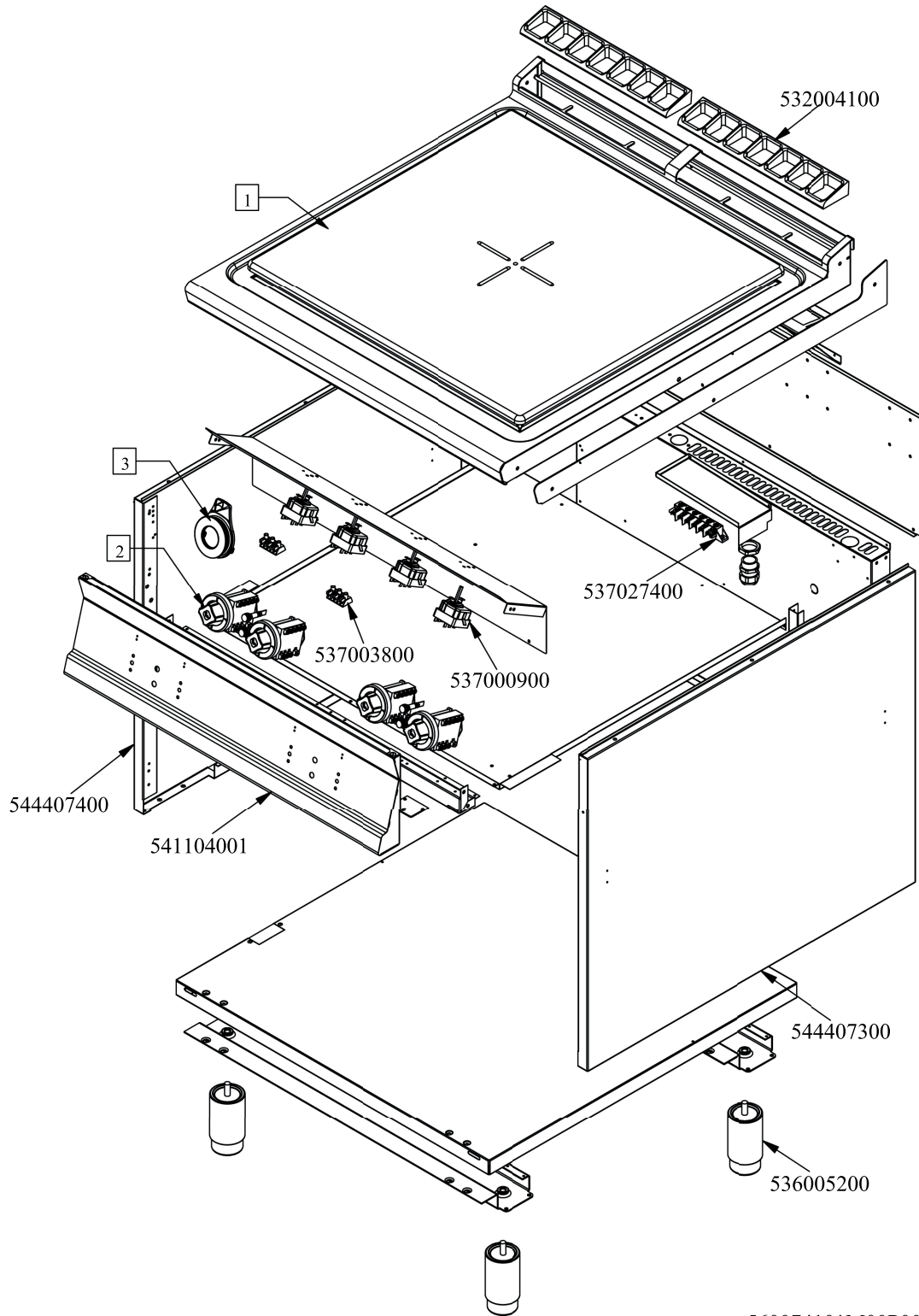


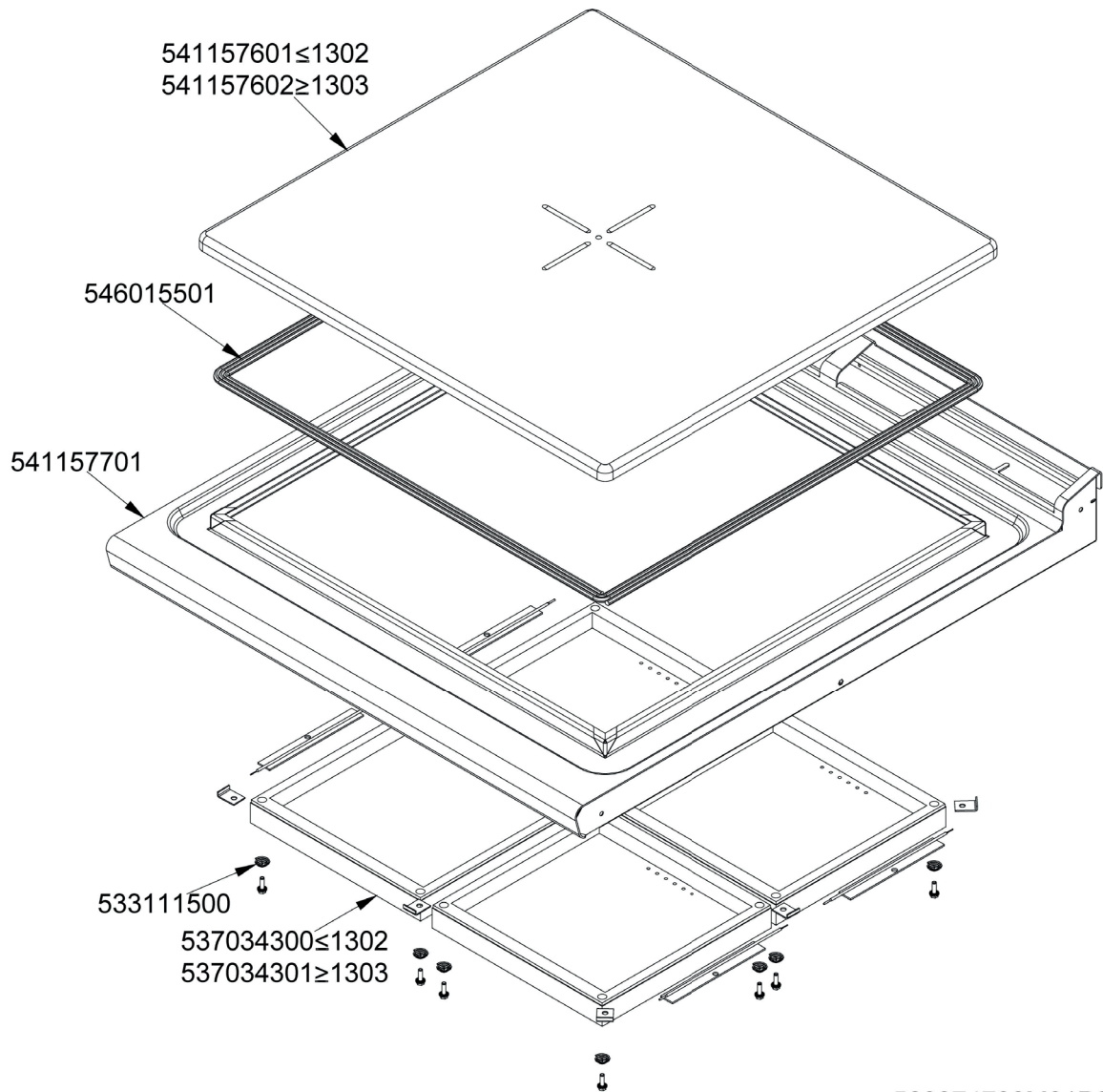
RM 900  
 Platný od 1.5. 2019  
 TP-98ET



560074101M00P00 .

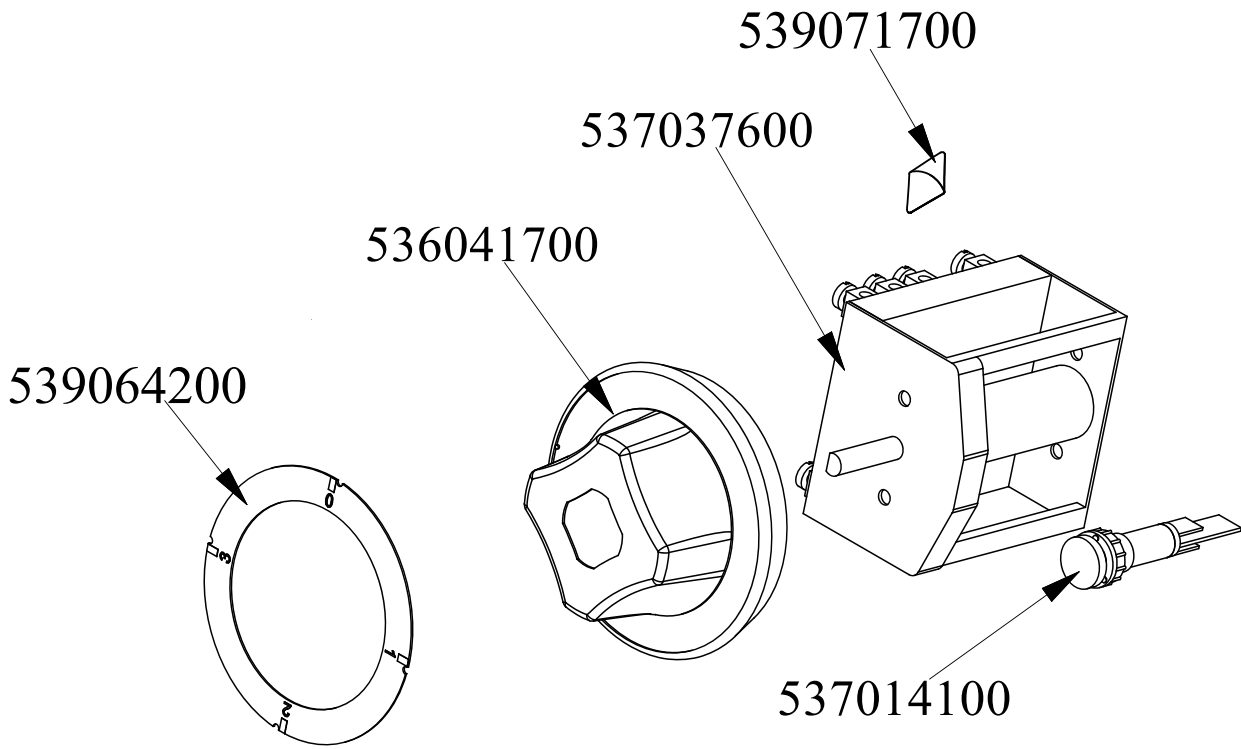


Objednací kód	Popis v ENG
544407400	LEFT SIDE PANEL 70 LINE
537003800	TERMINAL BLOCK 3POLES 16A
537027400	TERMINAL BLOCK THREEPHASE 40A
536005200	INOX LEG 2" 120-180 M10
544407300	RIGHT SIDE PANEL 90 LINE
541104001	FRONTAL PANEL * S607090 PC-9 8E
532004100	FLUE GRID L=370 90LINE (RAF)
537000900	THERMOSTAT 063-320°C THREEPHASE
-	-
-	-
-	-





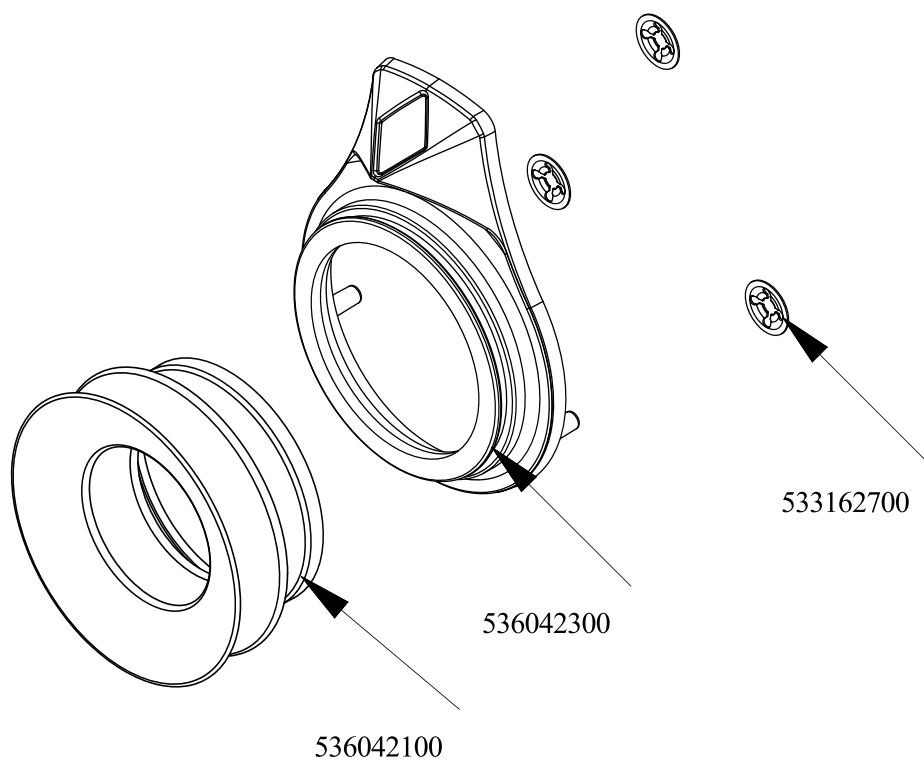
Objednačí kód	Popis v ENG
541157601	UPPER PLATE TP-98E
541157602	PLATE S90 TP-98E
546015501	SQUARE PLAIT L.C.06X06 L7500
541157701	UPPER PLATE TP-98E
533111500	COIL SPRING INTØ7X18XØFILO1 H=10
537034300	HEATING EL. 250X250 3400W230V3
537034301	HEATING EL. 250X295 3400W 230V3



560100801M00P00



Objednací kód	Popis v ENG
537014100	WHITE WARNING LIGHT 250V
536041700	SILVER CHROM. KNOB Ø77 4P.G.Ø06X4,6
539064200	BLACK ADESIVE DISK FOR CPT-ET
539071700	ADHES.LABEL FOR RING GREEN SIGN.
537037600	COMMUTATOR 4 POS.3PHASE S.43 32A



560125700M00P00

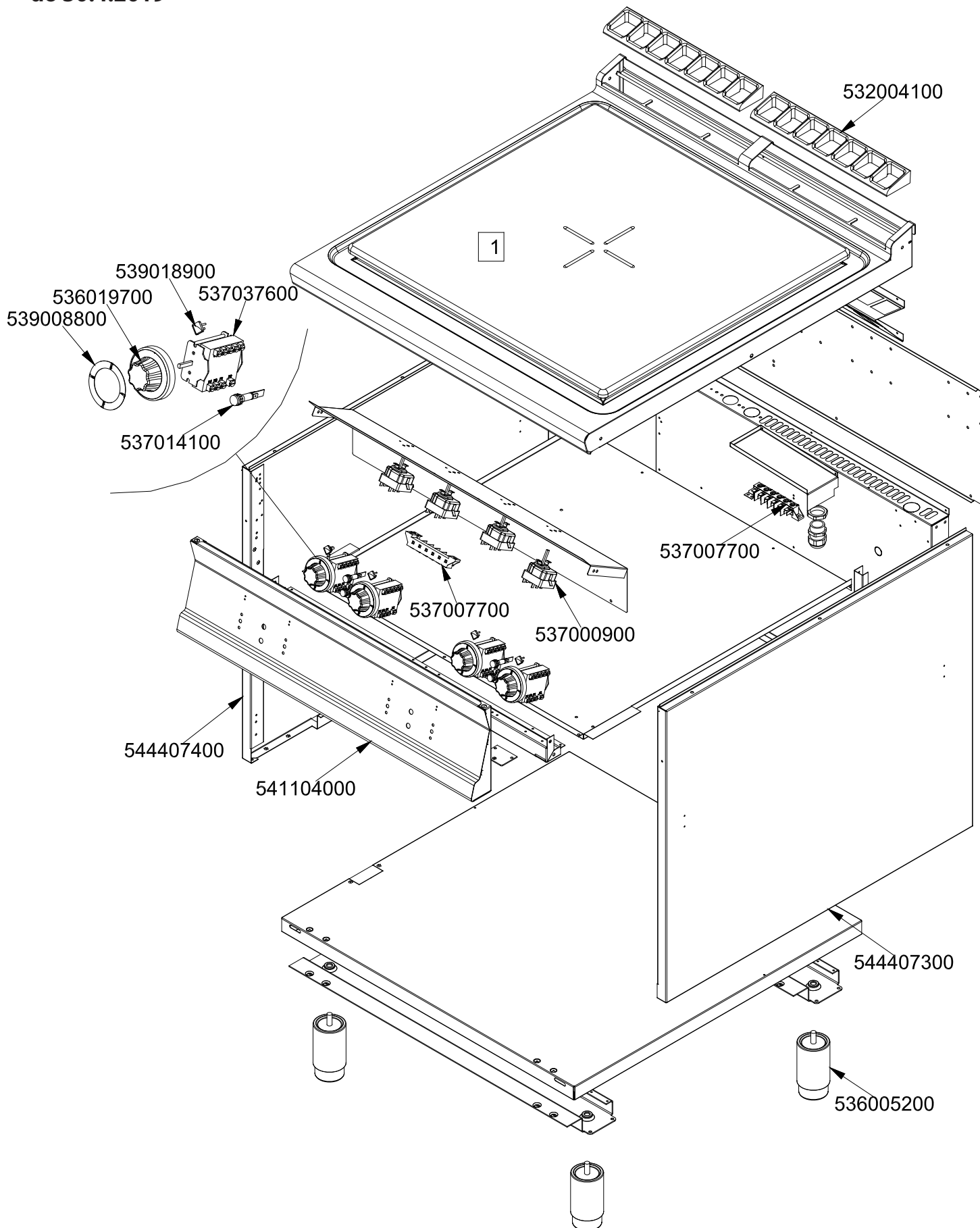


Objednačí kód	Popis v ENG
536042300	SILVER CHROM. RING FOR KNOB Ø77 4 P
536042100	SEAL CASING FOR KNOB Ø77 4 P
533162700	PROCESSING CODE





TP - 98 ET  
 Platný od  
 1.5.2016  
 do 30.4.2019



TP - 98 ET  
Platný od  
1.5.2016  
do 30.4.2019

