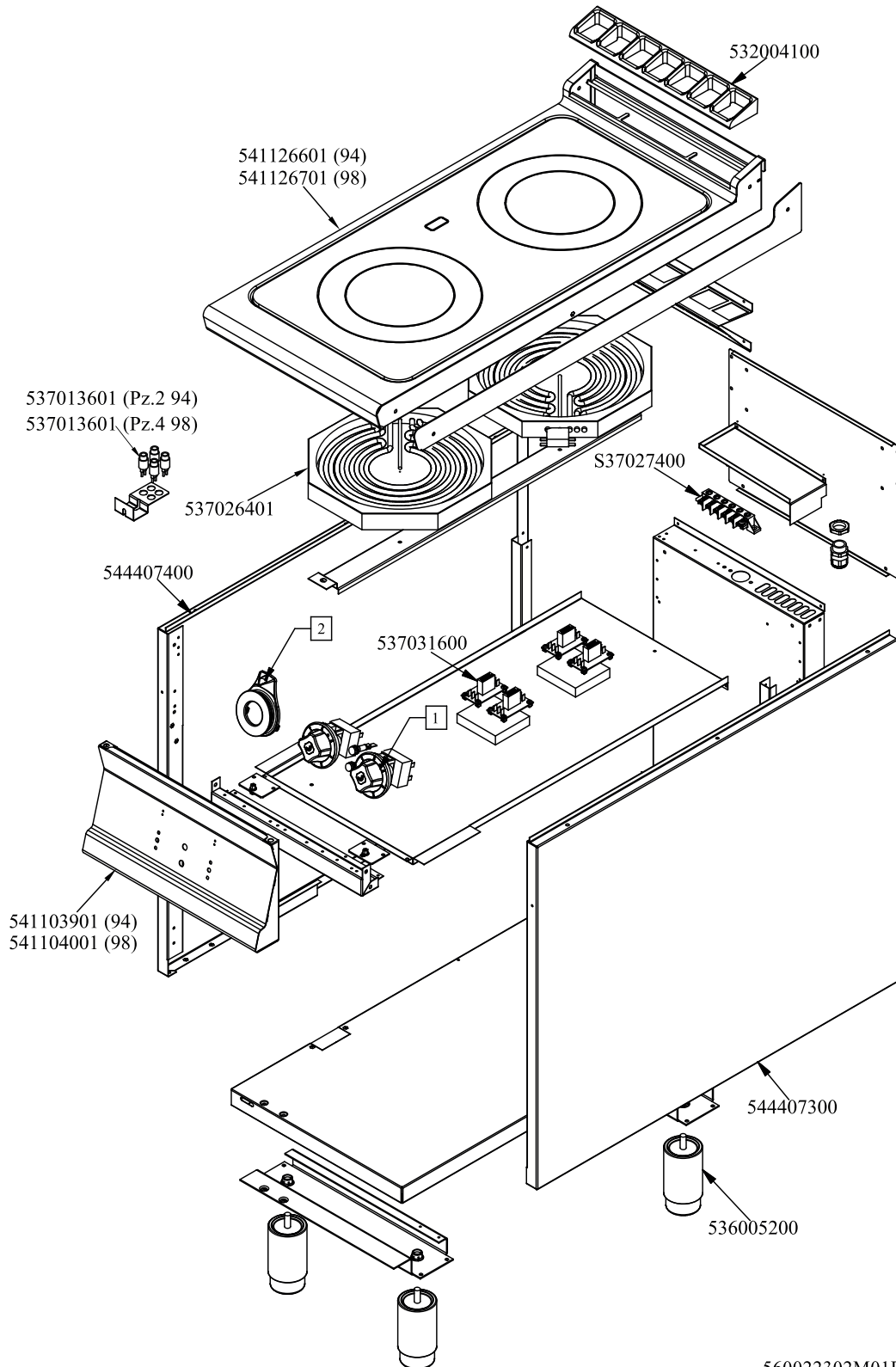


RM 900

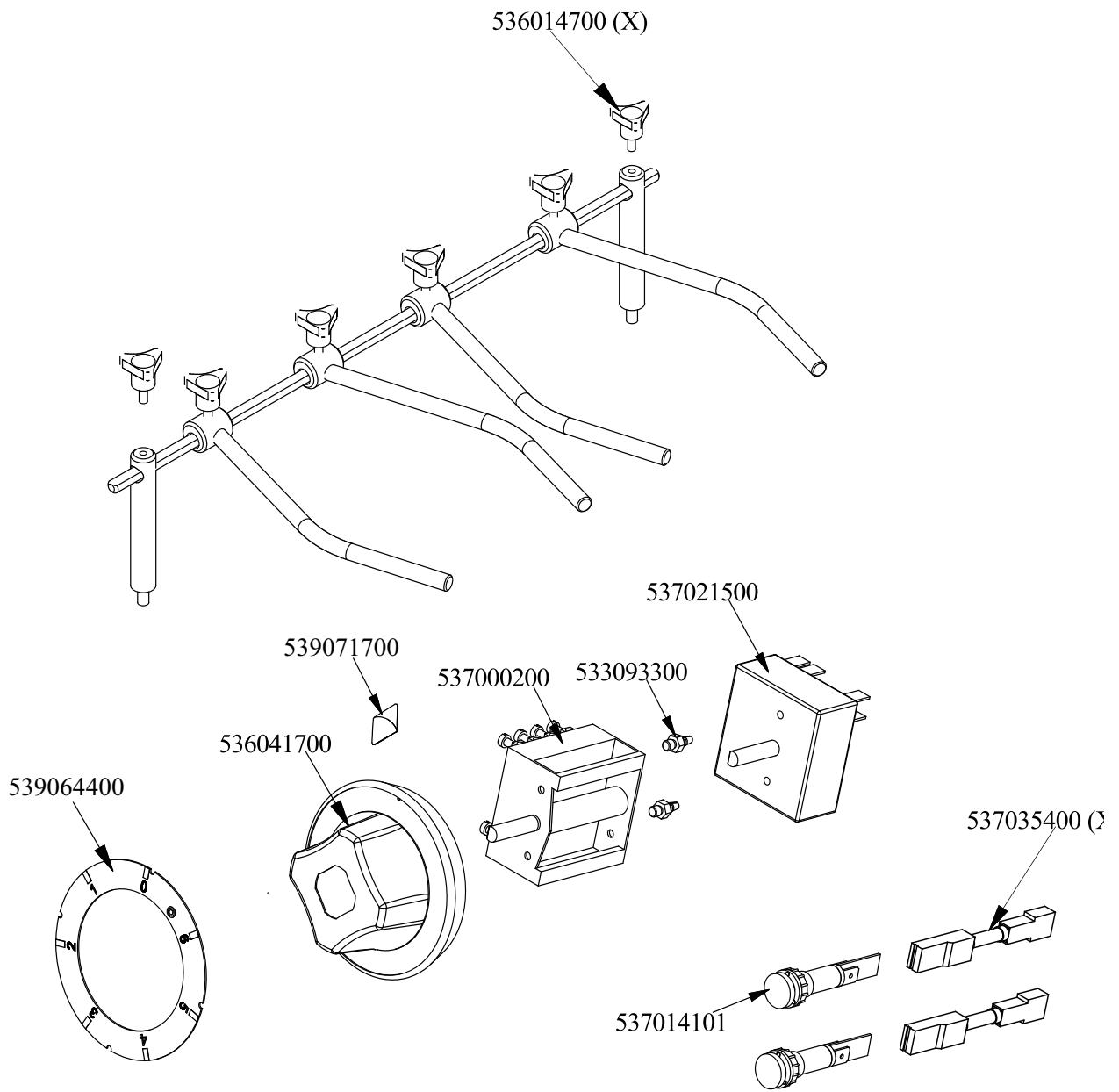
Platný od 1.5. 2019

PCC-94ET, PCC-98ET





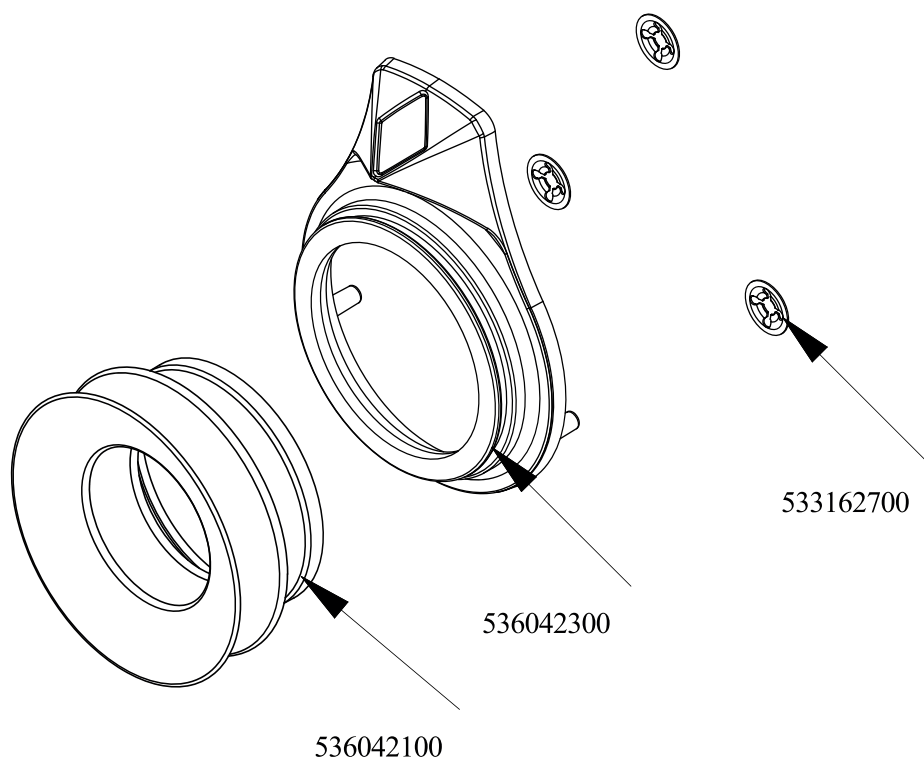
Objednací kód	Popis v ENG
537026401	RADIATION HEATER Ø300 230V
541103901	
541104001	FRONTAL PANEL * S607090 PC-9 8E
541126701	
544407400	LEFT SIDE PANEL 70 LINE
544407300	RIGHT SIDE PANEL 90 LINE
532004100	FLUE GRID L=370 90LINE (RAF)
S37027400	PROCESSING CODE
536005200	INOX LEG 2" 120-180 M10
537031600	ELECTRO BOARD 1 RELAI
-	-
-	-



560107401M01P00



Objednací kód	Popis v ENG
537014101	WHITE WARNING LIGHT 250V
536041700	SILVER CHROM. KNOB Ø77 4P.G.Ø06X4,6
539064400	BLACK ADESIVE DISK FOR PCC-E
537021500	REGULATOR FOR EL.PLATE 2CIRC.230V
539071700	ADHES.LABEL FOR RING GREEN SIGN.
537000200	COMMUTATOR 1 POS. 3PHASE S.49 16A
533093300	LOCKING PIN SWITCH S.43 THERMOST
537035400	HEATING ELEMENT 00003W 330KOHM W/F
536014700	3 DRILL WHEELS

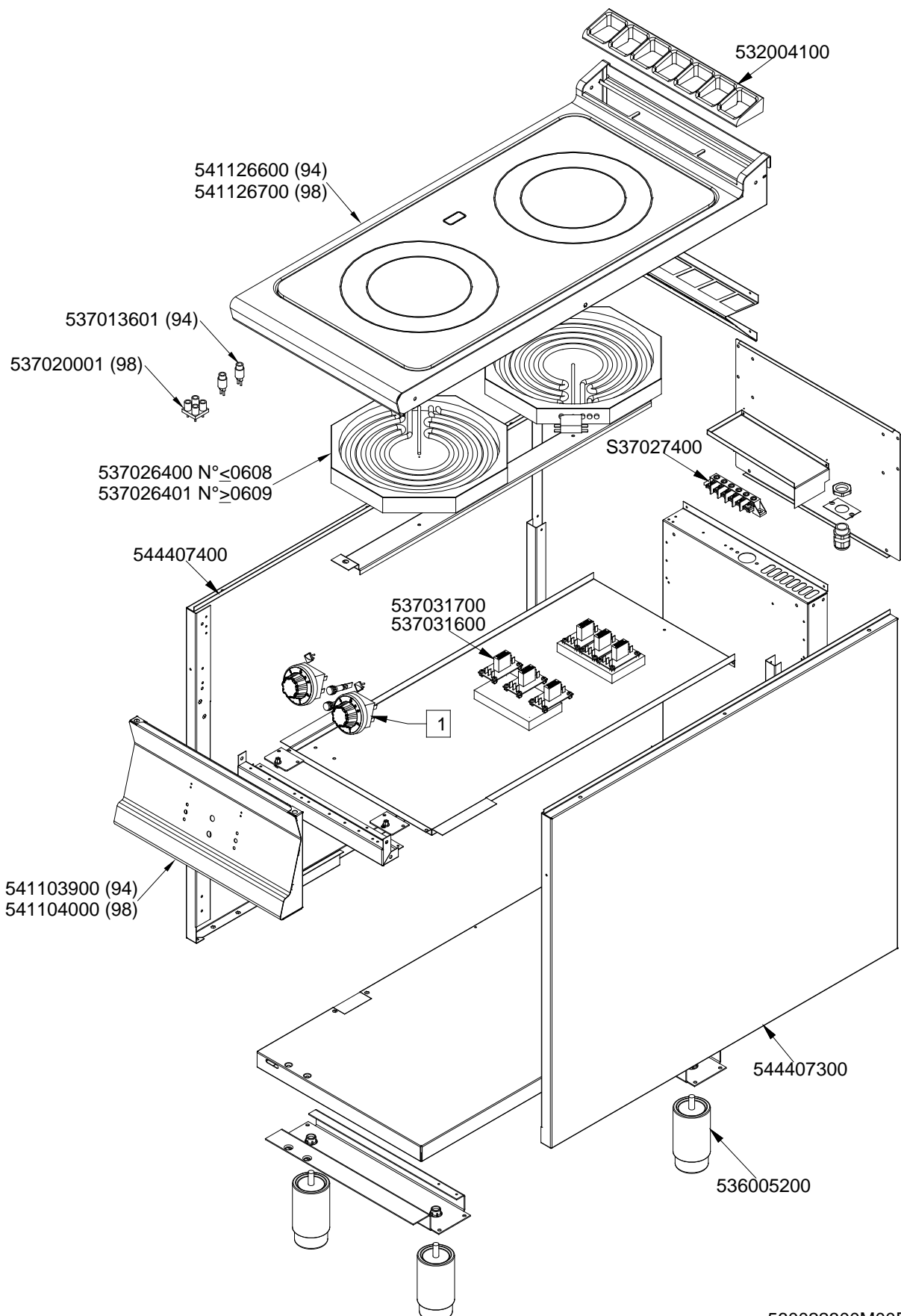


560125700M00P00



Objednačí kód	Popis v ENG
536042300	SILVER CHROM. RING FOR KNOB Ø77 4 P
536042100	SEAL CASING FOR KNOB Ø77 4 P
533162700	PROCESSING CODE

PCC - 94 ET, PCC - 98 ET  
 Platný od 1.5.2016  
 do 30.4.2019



PCC - 94 ET, PCC - 98 ET

(1)

Platný od 1.5.2016

do 30.4.2019

