

Technical data sheet



Product features

Model	SAP Code	00012419
FTRC 70/04 E	A group of articles - web	Grills and grill plates



- Top type: Grooved
- Griddle dimensions [mm x mm]: 400 x 510
- Griddle thickness [mm]: 12.00
- Worktop material: Chrome plated steel
- Container for liquid fat: Yes
- Maximum device temperature [°C]: 300
- Surface finish: polished chrome 0.03 mm
- Removable rim: Yes

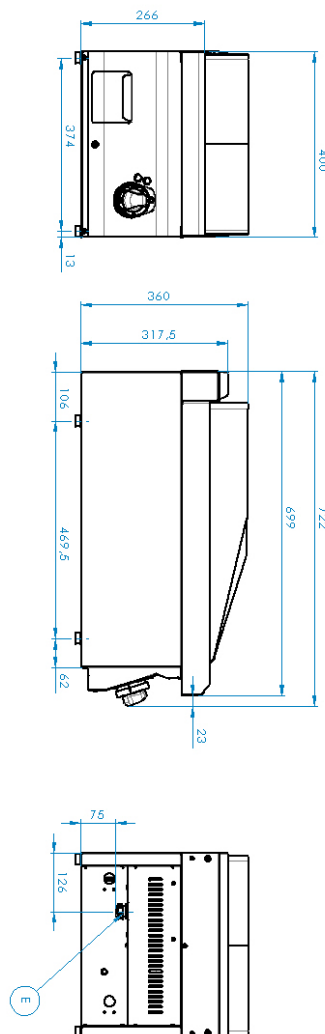
SAP Code	00012419	Power electric [kW]	4.500
Net Width [mm]	400	Loading	400 V / 3N - 50 Hz
Net Depth [mm]	700	Griddle dimensions [mm x mm]	400 x 510
Net Height [mm]	330	Top type	Grooved
Net Weight [kg]	36.00		

Technical data sheet



Technical drawing

Model	SAP Code	00012419
FTRC 70/04 E	A group of articles - web	Grills and grill plates



Technical data sheet



Product benefits

Model	SAP Code	00012419
FTRC 70/04 E	A group of articles - web	Grills and grill plates

- 1 All-stainless design**
long life
corrosion resistance of the top plate material
 - savings on service interventions
 - easier and faster operation
- 2 Degree of protection of the control elements IPX4**
maintenance-free system
resistance to splash water
long life
 - savings on service interventions
 - easy cleaning and maintenance of equipment
- 3 Outlet for waste liquids**
ensures that oil drips into the socket
 - easy maintenance
 - easy cleaning
- 4 High detachable hem**
better hygienic conditions
preventing grease from splashing onto ancillary equipment
 - easy maintenance
 - easy cleaning
- 5 Grooved plate made of chrome-plated steel**
the product bakes less and is easier to clean
a good warming of the meat with a groove
 - time-saving in food preparation
 - easy preparation of good-looking food
- 6 Cooking unit for use on a table or on a base**
variable use
the possibility of placement in smaller spaces
 - easy handling
 - cost savings on substructure

Technical data sheet



Technical parameters

Model	SAP Code	00012419
FTRC 70/04 E	A group of articles - web	Grills and grill plates

1. SAP Code:

00012419

2. Article group:

RF-Line 700

3. Net Width [mm]:

400

4. Net Depth [mm]:

700

5. Net Height [mm]:

330

6. Net Weight [kg]:

36.00

7. Gross Width [mm]:

440

8. Gross depth [mm]:

800

9. Gross Height [mm]:

390

10. Gross Weight [kg]:

42.00

11. Device type:

Electric unit

12. Construction type of device:

Table top

13. Power electric [kW]:

4.500

14. Loading:

400 V / 3N - 50 Hz

15. Protection of controls:

IPX4

16. Material:

AISI 304 top plate, AISI 430 cladding

17. Indicators:

operation and warm-up

18. Worktop material:

Chrome plated steel

19. Worktop Thickness [mm]:

1.20

20. Surface finish:

polished chrome 0.03 mm

21. Maximum device temperature [°C]:

300

22. Minimum device temperature [°C]:

50

23. Service accessibility:

Trough the frontal panel

24. Safety thermostat:

Yes

25. Adjustable feet:

Yes

26. Griddle dimensions [mm x mm]:

400 x 510

27. Griddle thickness [mm]:

12.00

28. Container for liquid fat:

Yes

29. Removable rim:

Yes

30. Top type:

Grooved