



PCT-712GP

2021_11

1

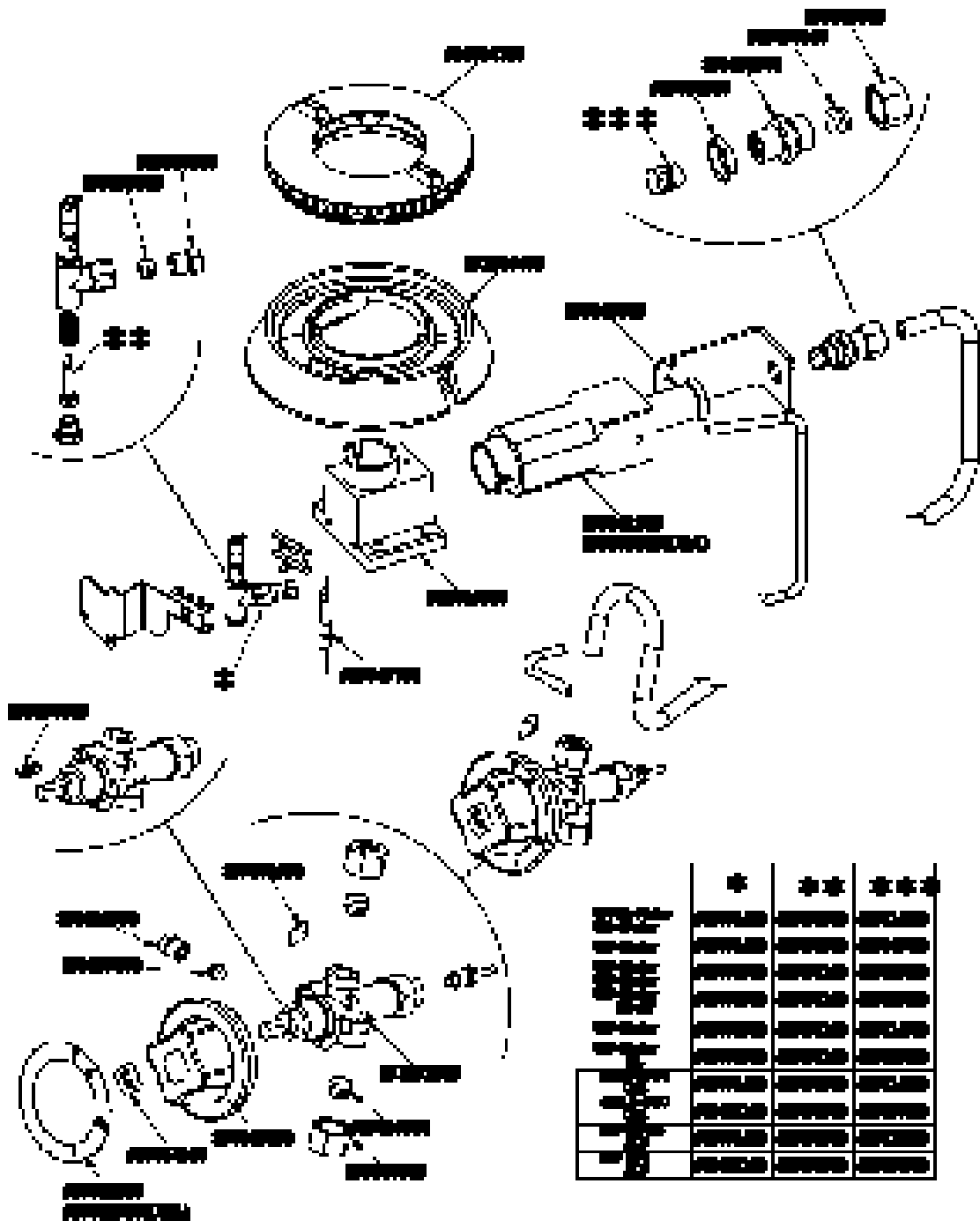
Kod	Nazev
54438500	LEFT SIDE OF 70T LINE
54433300	BURNER CONTAINER 1/1GN R 304
53104700	2 BURNER GRID FOR PG-700
533010500	LEG M10*25 D.40
544385500	RIGHT SIDE OF 70T LINE
54433300	BURNER CONTAINER 1/1GN R 304
532004100	FLUE GRID L=370 B0LINE (RAF)
54131200	ASS.PIANO 570 PG-712G
541119401	ASS.CRUISC.5807000 PG-012G



PCT-712GP

2021_11

2





PCT-712GP

2021_11

2

Kod	Nazev
533010800	NUT M14*1 H.4
533052301	JOINT FOR NOZZLE HOLDER
533038300	BICONE 510
533010800	TUBE NUT D.10 M16*1,5
532004400	BIG BURNER BODY 70LINE P.
532004700	BURNER COVER RING UR D128
533103500	AIR ADJUSTMENT BUSHING D22 EST.H57
532005000	ELBOW FITTING OF BURNER VENTURI UR
533038100	BICONE 58
533018500	FITTING FOR BICONE D.8 M10*1
533038800	75 BY-PASS FOR 21S TAP
533045700	THERMOCOUPLE M8*1 500
531032000	GAS COCK P.V.BY-PASS ØØ75
538070500	ADHES.LABEL FOR RING RED SIGN.
538041800	SILVER CHROM. KNOB Ø77 4P.G.ØØ8X5,5
538054200	STAMP Ø20,5 CR." LOTUS R.
538062800	RED STICKING DISK 72
538062900	RED STICKING DISK 72 USA
533101200	BURNER VENTURI UR
533075000	BURNER VENTURI 7,5KW S70 USA
533081400	P.NOZZLE S100 UG.520 PC80 LPG-FLIS
533081500	PILOT NOZZLE S.100 530 PC80 NAT.GAS
533161200	PILOTA Ø100 1F RACC.BIC.UG.Ø40 CA
533081000	NOZZLE D.100 520
533081200	PILOT NOZZLE Ø100 Ø35 PILPC
533081300	PILOT NOZZLE Ø100 Ø40 PILPC
533014800	NOZZLE 5135 CH12*14,0
533043400	NOZZLE 5117 CH12*14 G-PC4 UR
533055000	NOZZLE 5205 CH12*14 G25 CW4
533014500	NOZZLE 5225 CH12*14 OVEN GN Z1
533055100	NOZZLE 5215 CH12*14 L-CW4
533120100	NOZZLE 5210 CH12*14,0
533015200	NOZZLE 5145 CH12*14 F-FPCP6
533058300	NOZZLE 5240 CH12*14



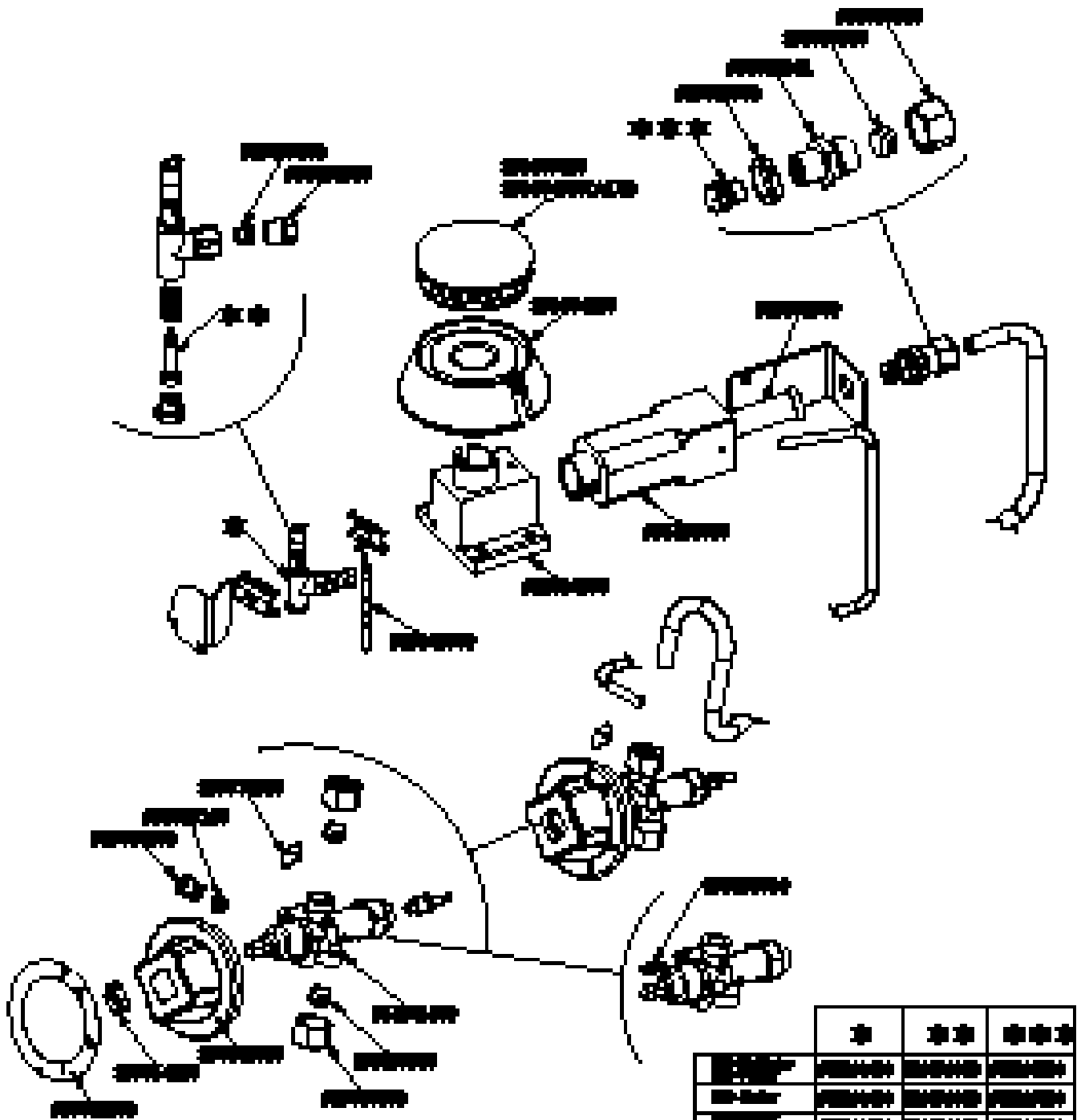
PCT-712GP
2021_11
3

Kod	Nazev
533009100	BY PASS COCK §80 205
533103400	AIR ADJUSTMENT BUSHING Ø20 EST.H57
533018500	FITTING FOR BICONE D.Ø M10*1
533039100	BICONE §8
533070500	ADHES.LABEL FOR RING RED SIGNL
533010800	TUBE NUT D.1Ø M16*1,5
533039300	BICONE §1Ø
533052301	JOINT FOR NOZZLE HOLDER
533010800	NUT M14*1 H.4
532004000	BURNER COVER RING R Ø104
532004300	MIDDLE BURNER BODY 7ØLINE P.
532004800	ELBOW FITTING OF BURNER VENTURI R
531042900	B.PASS §80 SAFETY COCK PC/CF 90
533041800	SILVER CHROM. KNOB Ø77 4P.G.ØØ8X5,5
533054200	STAMP Ø20,5 CR."L" LOTUS R.
533045700	THERMOCOUPLE M8*1 500
533039400	THERMOCOUPLE M8*1*850
533062800	RED STICKING DISK 72
533062900	RED STICKING DISK 72 USA
5331Ø1100	BURNER VENTURI R
533075500	BURNER VENTURI 5,5KW S70 USA
533081400	P.NOZZLE S100 UG. §20 PC90 LPG-FLUS
533081500	PILOT NOZZLE S.100 §30 PC90 NAT.GAS
533161200	PILOTA Ø100 1F RACC.BIC.UG.Ø40 (A
533081Ø00	NOZZLE D.1ØØ §2Ø
533081200	PILOT NOZZLE Ø1ØØ Ø35 PILPC
533081300	PILOT NOZZLE Ø1ØØ Ø4Ø PILPC
533043Ø00	NOZZLE §115 CH12*14 F-CW4
533019300	NOZZLE §1ØØ G-FQ5 F-CW
533031Ø00	NOZZLE §175 CH12X14
533043500	NOZZLE §1ØØ CH12*14 G25 PC4R
533019400	NOZZLE §1ØØ CH12*14 L-FQ5
533043200	NOZZLE §11Ø G3Ø (LPG) CH12X14
533043100	NOZZLE §1Ø5 G25 CH12X14

PCT-712GP

2021_11

4



	本	本本	本本本
控制手柄	1	1	1
插入管	1	1	1
活检通道	1	1	1
冲洗通道	1	1	1
吸引通道	1	1	1
活检钳	1	1	1
活检钳头	1	1	1
活检钳柄	1	1	1
活检钳头套	1	1	1
活检钳柄套	1	1	1
活检钳头套套	1	1	1
活检钳柄套套	1	1	1
活检钳头套套套	1	1	1
活检钳柄套套套	1	1	1



PCT-712GP

2021_11

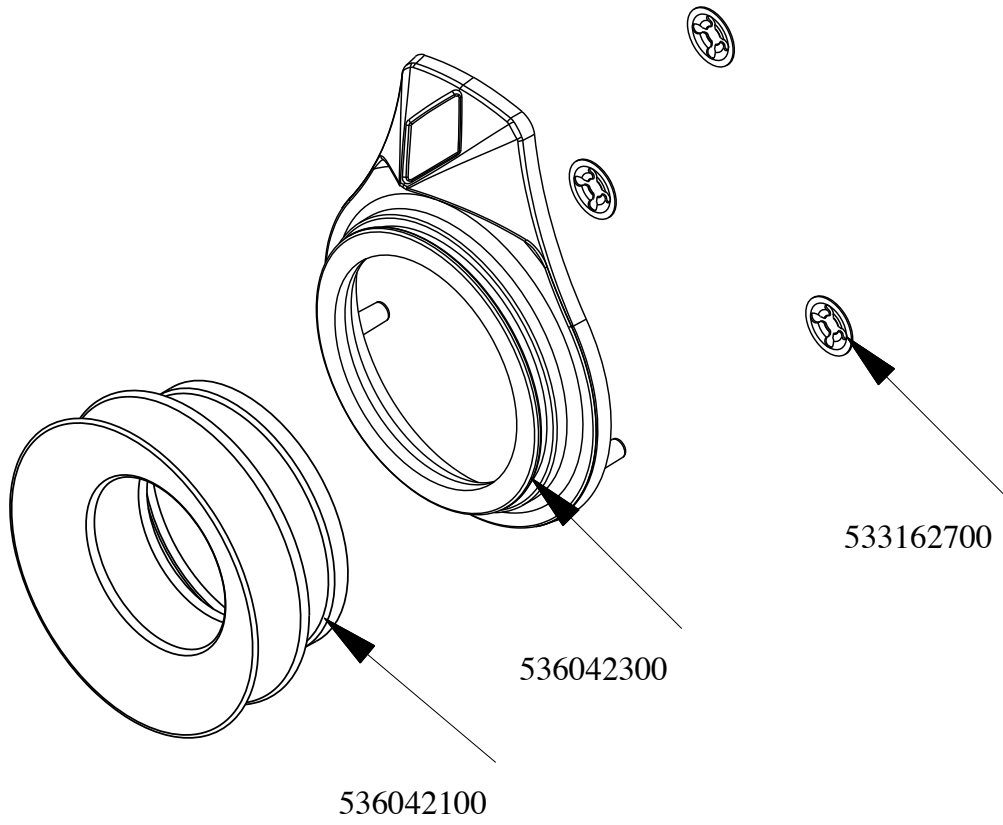
4

Kod	Nazev
533088000	§50 BY-PASS COCK 20S-21S
533045700	THERMOCOUPLE M8*1 500
533039100	BICONE §8
533018500	FITTING FOR BICONE D.8 M10*1
539070500	ADHES.LABEL FOR RING RED SIGNL
532004200	SMALL BURNER BODY 70LINE P.
532004800	ELBOW FITTING OF BURNER VENTURI SR
533101000	BURNER VENTURI SR
533103300	AIR ADJUSTMENT BUSHING D16 EST.H57
533010800	NUT M14*1 H.4
533052301	JOINT FOR NOZZLE HOLDER
533039300	BICONE §10
533010800	TUBE NUT D.10 M16*1,5
531043100	B.PASS §50 SAFETY COCK PC/CF 70
539041800	SILVER CHROM. KNOB Ø77 4P.G.Ø08X8,5
539054200	STAMP Ø20,5 CR."L" LOTUS R.
539062800	RED STICKING DISK 72
532007400	BURNER COVER RING Ø073 4 Z
532004500	BURNER COVER RING SR D73
533081400	P.NOZZLE 5100 UG. §20 PC80 LPG-FLUS
533081500	PILOT NOZZLE S.100 §30 PC80 NAT.GAS
533161200	PILOTA D100 1F RACC.BIG.UG.Ø40 CA
533081000	NOZZLE D.100 §20
533081200	PILOT NOZZLE Ø100 Ø35 PIL/PC
533081300	PILOT NOZZLE Ø100 Ø40 PIL/PC
533030500	NOZZLE §80 CH12X14 G30/GE
533015100	NOZZLE §80 CH12*14 F-FP/CP8
533015200	NOZZLE §145 CH12*14 F-FP/CP6
533030800	NOZZLE §155 CH12X14 M-CW
533014800	NOZZLE §150 CH12*14 F-FQ5 L-FQ8
533019300	NOZZLE §100 G-FQ5 F-CW
533030300	NOZZLE §160 CH12*14 M-FPG

PCT-712GP

2021_11

5





PCT-712GP

2021_11

5

Kod	Nazev
536042300	SILVER CHROM. RING FOR KNOB Ø77 4 P
536042100	SEAL CASING FOR KNOB Ø77 4 P
533162700	PROCESSING CODE