



**GAS GRIDDLE
PLATES**

**INSTRUCTION FOR INSTALLATION AND USE
DIE GEBRAUCHS UND INSTALLATIONSANWEISUNG
NOTICE D'INSTALLATION ET D'EMPLOI
NÁVOD K OBSLUZE A INSTALACI
UPUTSTVO ZA INSTALACIJU I UPOTREBU
GHID DE INSTALARE SI UTILIZARE**



FE 740/15 G, FE 740/17 G, FE 780/15 G, FE 780/17 G

CE
1015-22

www.rmgastro.com





CONTENT

Declaration of a standards conformity	3
Instruction for use	10
Cleaning and maintenance	12

INHALT



Die Normenübereinstimmungsdeklaration	13
Gebrauchsanweisung	20
Die Reinigung und Instandhaltung	22

CONTENU



Déclaration de conformité	23
Mode d'emploi	29
Nettoyage et entretien	31

OBSAH



Prohlášení o souladu s normami	35
Návod k použití	42
Čistění a údržba	44

SADRŽAJ



Izjava o saglasnosti sa normama	47
Uputstvo za upotrebu	52
Čišćenje i održavanje	54

CONȚINUT



Declarație de conformitate cu regulile	58
Ghid de utilizare	63
Curățare și mentenanță	64

DECLARATION OF A STANDARDS CONFORMITY

The producer confirms that the devices agree with 2009/142/ES standards, rule nr. 22/1997 sb., nr. 258/2000 sb., nr. 258/200 sb. and with relevant government orders. Instalation must be done with respect to valid standards. Attention, the producer refuses any responsibility in case of direct or indirect damages which are caused due to wrong instalation, incorrect intervention or modification, insufficient maintenance, incorrect use and also possibly caused by other reasons presented by items in sale conditions. This appliance is set only for skilled use and must be operated by qualified persons only. Parts set and secured by the producer or accredited person must not be rebuilt by user.

TECHNICAL DATA

Label with technical data is placed on the back side of the device. Study the electrical diagram of connection and all following information before instalation.

MODEL	WATTAGE (W)	DIMENSION (MM)	VOLUME (L)
FE-740-15 G	12,5	400 x 730 x 895	15
FE-780-15 G	2x 12,5	800 x 730 x 895	2x 15
FE-740-17 G	14	400 x 730 x 895	17
FE-780-17 G	2x 14	800 x 730 x 895	2x 17

PACKING AND DEVICE CHECK

The device leaves our stocks properly packed with appropriate symbols and labels. There are also appropriate instructions for use. In case the packing shows bad handling or damage, it must be reclaimed at transporter immediately by writing and signing of a damage protocol.

Important notice:

- only for professional use
- this instructing guide must be read properly and carefully because it contains important information about safety elements, installation, use
- these recommendations refer to this product
- this product corresponds with valid standards
- this guide must be properly deposited for future use
- keep the children away from manipulation with the product
- when selling or moving the product to another place it is necessary to make yourself sure that the staff or the professional service has got acquainted with control and installation instructions from enclosed guide
- only authorised person can operate the product
- it can not be switched on without supervision
- we recommend to have the product checked by professional service min. once a year
- only original spare parts can be used for repairs
- the product can not be cleaned by the water jet or pressure shower
- by damage or break down disconnect all the feeders (water, gas, electricity) and call professional service
- producer refuses any responsibility in case of damages caused by wrong installation, by disobeying of above mentioned recommendations or by other use etc.

PLACEMENT

The device must be installed in well ventilated room what is necessary for regulation of the function of the device (technician must go by valid standard (EN....)). If the device is situated close to the wall or if it is in contact with the furniture walls, these walls must resist the temperatures ranging to 90°C. Installation, setting, putting into operation must be done by qualified person who is competent for this and according to the valid standards.

Wrap up the device and check whether it was not damaged during transport. Settle the device on horizontal surface (max imbalance 2°). Settle the device under the fumehood to eliminate water steam and bad smell. The device can be installed separately or in a set with devices of our production. Min. distance 10 cm from other subjects must be kept. It is also necessary to prevent our product from contact with combustible materials. In this case you must make corresponding changes to secure heat isolation of combustible parts. Safety measures from the standpoint of the fire protection according to EN 061008čl. 21:

TECHNICAL INSTRUCTIONS FOR INSTALATION AND REGULATION

Important:

The manufacturer does not provide warranty for defects caused by improper use, failure to instructions contained in the attached instructions for use and mistreatment of the appliances.

Installation, adjustment and repair of appliances for kitchens, as well as their removal because of possible damage to the gas can be carried out only under a maintenance contract, this contract may be signed with an authorized dealer, and must be complied with regulations and technical standards and regulations regarding the installation, power supply, gas connection and health & safety system.

These instructions are intended for the qualified technician who must perform the installation, put it into operation and test the appliance.

Any activity as settings, placement, rebalancing etc, must be made only when is device disconnected from electricity. If it is necessary to have the device connected to the electricity you must keep the highest attention to avoid any injuries.

DEVICE INSTALATION

Instalation, setting, rebuilding for another gas type, putting into operation must be done by qualifi ed person whois competent for this and according to the valid standards. The device can be instalated in good ventilated room. When it is possible place the device under the fumehood to suck off the products of combustion. Air needy to the burning is $2m^3/h/kW$ ot the performance of the instaled device. The device can be instalated separately or in a set with devices of our production. Min. distance 10 cm from other subjects must be kept.It is also necessary to prevent our product from contact with combustible materials. In this case you must make corresponding changes to secure heat izolation of combustible parts (for example:place between the device and combustible material azbestos plate).

SAFETY MEASURES FROM THE STANDPOINT OF THE FIRE PROTECTION ACCORDING TO EN 061008 ČL. 21

- only adults can operate the device
- device must be safely used in common surroundings according to EN 332000-4-462; EN 332000-4-42. You must switch the gas device off under the circumstances leading: to the danger of the temporary rise of the combustion gas or steam or during works when there is a big possibility of rise of the temporary fire danger or explosion (for example: to stick linoleum, PVC etc.).
- before you start to instal the device you must get the licence for connection to the gas feeder from the gasworks
- device must be placed so as to stand or hang on the noncombustible surface which is on each side 10 cm larger than the device. No subjects from combustible materials can be placed directly on the device or in distance which is shorter than safety distance (the shortest distance is 50 cm in the direction of the heat emission and 10 cm in other directions).- safety distances from various materials of different degree of combustion and information about the degree of comb. of common building materials - see chart:

Chart:

Combustion degree of building materials classified according to the combustion degree of materials and products (EN 730823)

A noncombustible	granit, sandstone, concretes,bricks, ceramic wallfacing tiles, plaster
B uneasily combustible	akumine, heraklite, lihnos, itavere
C1 hardly combustible	leafy wood, plywood, sirkoklit, rare paper formica
C2 middle combustible	fibreboards, solodure, cork boards, rubber,floor-coverings
C3 easily combustible	wood-fibreboards, polystyrene,polyurethane, PVC

Devices must be instalated in a safe way. When instaling you must respect corresponding project, safety and hygienic orders according to:

- EN 061008 fire protection of local devices and sources of heat
- EN 332000 (33 2000-4-482; 33 2000-4-42) surrounding for electric devices ČSN EN 1775 Gas supplying
- Gas fi ttings in the buildings - the highest operational pressure < 5 bar - operation demands
- § 10 law nr. 185/2001 Sb. about waste

PIPE FOR GAS CONNECTION

It must first determine if the appliance is made for the same type of gas that will be used and thus conforms to the indications on the label the type of gas to be used.

The conversion of gas pan to another type of gas you need to check if it corresponds to the type of gas bearing, which is recommended in this guide.

Connecting the appliance to the gas distribution must be towable to a steel or copper tube complying with applicable national requirements. This must be controlled on regular basis and changed if needed. Every appliance must be equipped with shut-off valve and quick shut-off valve. Quick shut-off valve must be freely accessible and within reach of the device. After installation, is necessary to check whether there is a gas leak. To find a gas leak you can use soapy water or spray for gas leak detection.

Do not use corrosive substances!! All our appliances are carefully controlled. Gas type, pressure and of the categories listed named on the technical information plate.

Liquid gas connection:

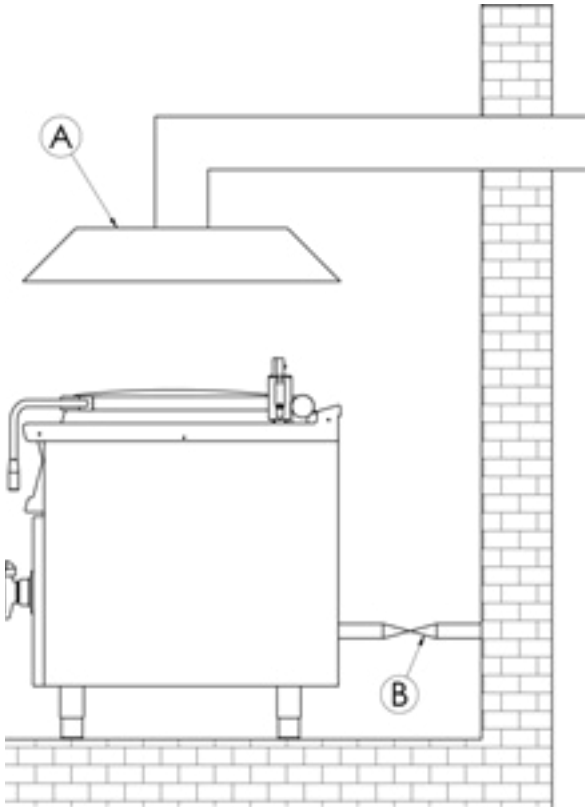
Pressure for liquid gas connection must be 28 or 30 mbar for propane/butane and 37 mbar for propane. It is necessary to check the technical label ,gauge the pressure and check the parameters of the nozzle is installed with the required parameters of the nozzle according to the manufacturer's. If the pressure is lower than 25mbar or higher than 37 mbar, THE APPLIANCE SHALL NOT TO BE CONNECTED.

Gas Connection:

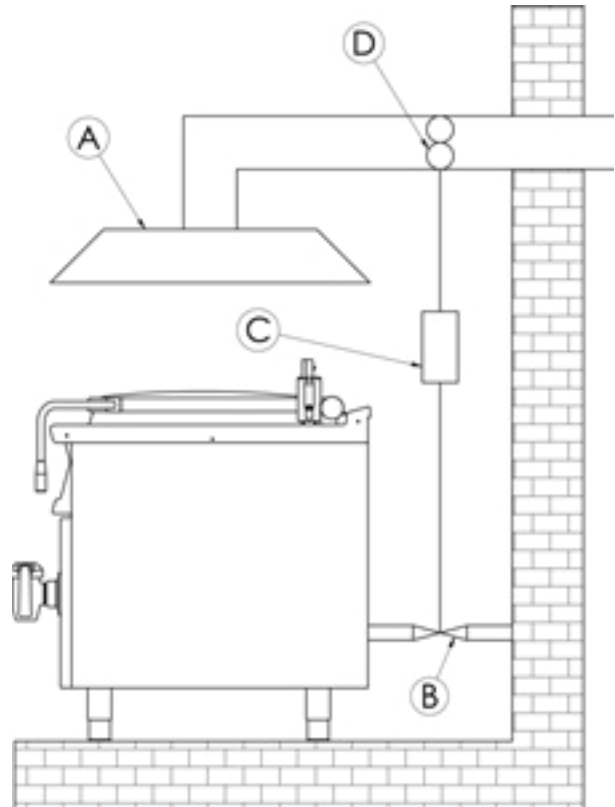
Pressure for methane connection must be 18 or 20 mbar. It is necessary to check the technical label ,gauge the pressure and check the parameters of the nozzle is installed with the required parameters of the nozzle according to the manufacturer's. If the gas pressure is lower than 15mbar or higher than 22,5 mbar, THE APPLIANCE SHALL NOT TO BE CONNECTED.

CHIMNEY DESIGN FOR AN APPLIANCE –TYPE A

NATURAL EXTRACTION



FORCED EXTRACTION



Outlet hood with natural extraction (A). Flue gas provides a natural chimney draft.

Outlet hood without natural extraction. Flue gas is secured by a fan (D) (forced extraction). In this case, it is necessary to secure the connection with a gas feeder (B) to turn off the gas supply in case of failure.

CHECK THE GAS TYPE THE DEVICE IS ADJUSTED FOR

Our appliances are certified and regulated the natural gas (see technical plate). Conversion or adaptation to a different type of gas must be performed by authorized personnel. Nozzles for different types of gas are in a bag provided with the gas cooker and are marked in hundredths of mm (table of technical data pipes).

Nozzle replacement and pressure adjustment

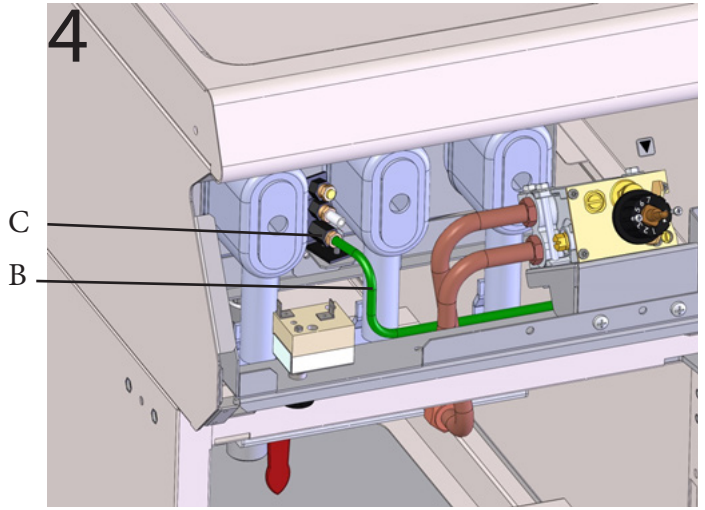
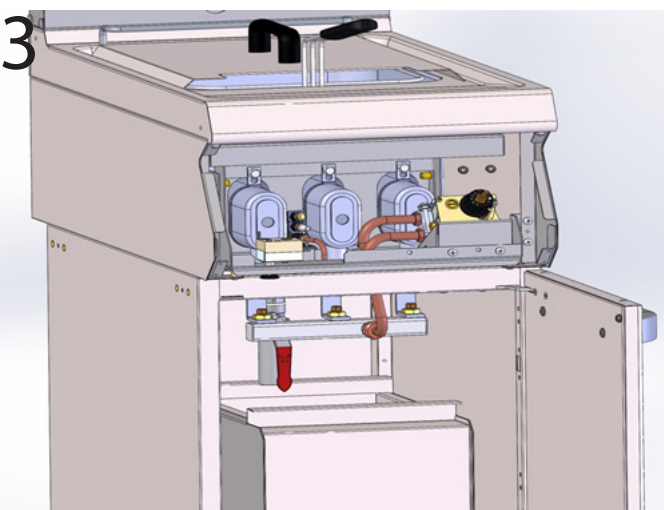
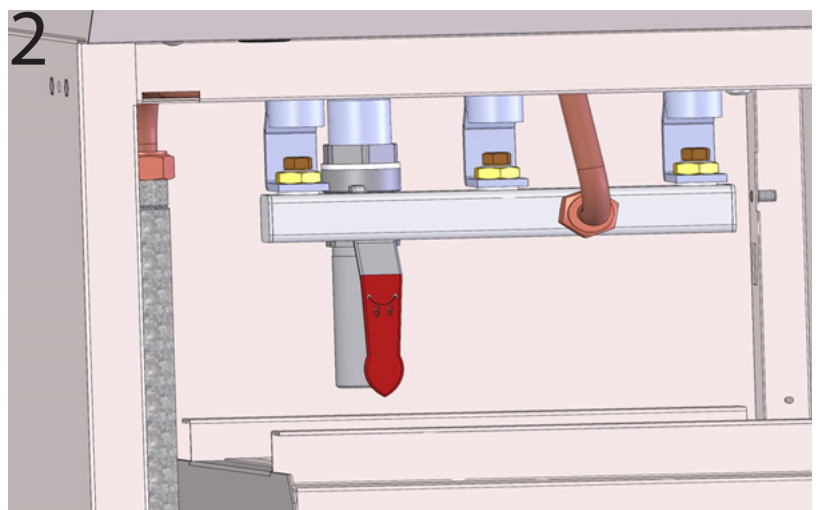
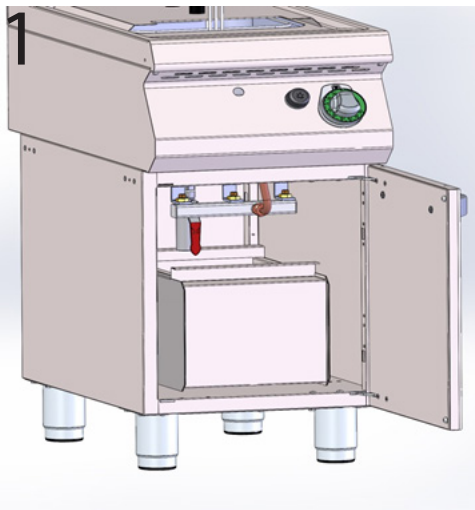
Proceed as follows when replacing the pilot burner nozzle:

- 1) remove the control buttons from the front panel, disassemble the front panel (3)
- 2) Unmount gas supply copper pipe from pilot nozzle (4B)
- 3) According to picture (fig. 4C) unscrew the nozzle from burner and replace with nozzles according to table „TECHNICAL DATA“

Adjust the main burner (fig-2) unscrew the pilot burner nozzle and replace with a nozzle for the relevant gas according to the table.

Important:

After what was done adjusting the appliance to another type of gas, it is necessary to change the gas indicated on the technical plate located in a visible location on the back of the device.



INSTRUCTION FOR USE

Attention!

Before the first use of the device you must remove protection foil from all surfaces and wash the device with water with detergent. Than splash it with clean water. Use the device under supervision. Never use the device without oil or if the level of the oil is lower then min. line - danger of fire. If the oil is dirty or you use the oil longer time it may cause boiling over.

• Ignition of the main burner and regulation of the temperature: pictures A,B

Turn the regulation knob (2) into position „ignition of the main burner“ and then press it down and hold it. Press down the piezo knob of the ignitor several times (1) until the main burner burns. The flame is visible through the slot in the front panel. After ignition of the burner hold the knob (2) pressed several seconds till the thermofuse gets hot. Then release the button. If the flame goes out repeat the whole process once more.

• How to switch the whole device off: picture A,B

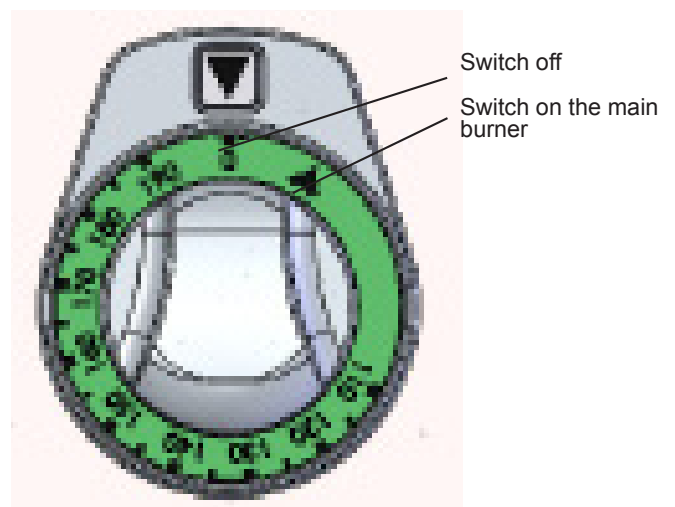
Turn the knob (2) into position“0“.

Comments and recommendation

You must always check the level of oil, never use the device without oil. Use the device only under supervision.

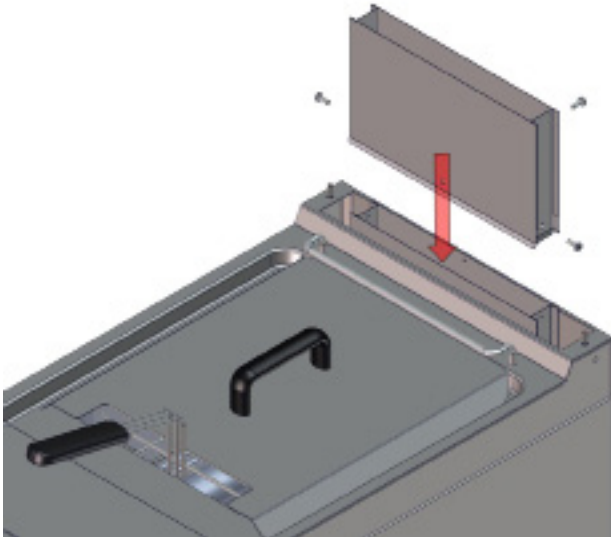


- ① Piezzo knob
- ② Regulation knob

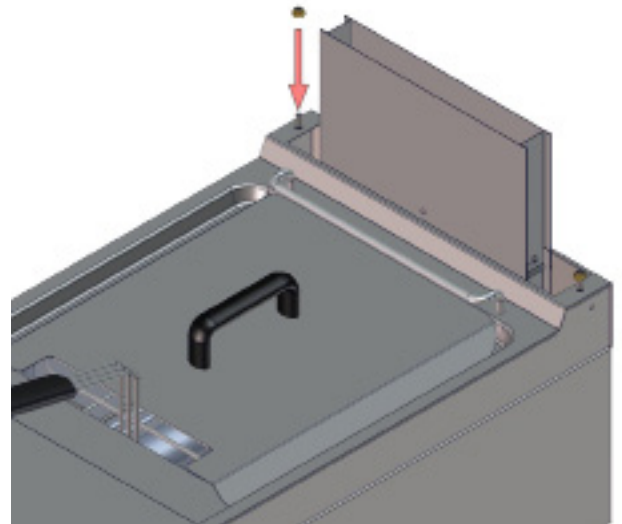


! The deep-fat fryer must not be used without the attached chimney for drawing off exhaust gases. This would result in the risk of explosion and injury to persons !

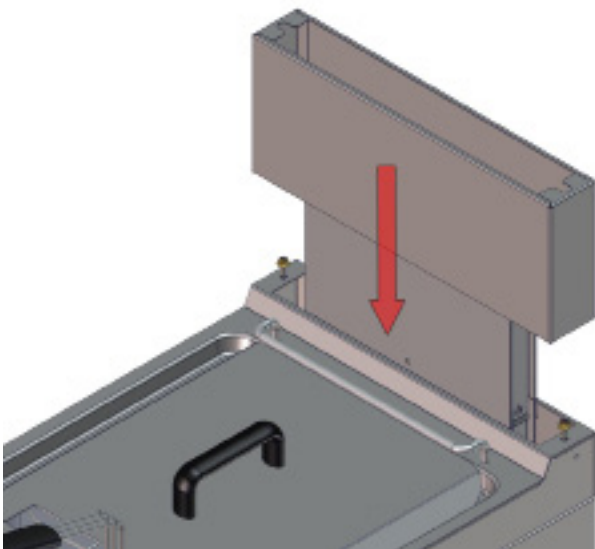
1) Mount the chimney extension and attach using the self-tapping screws



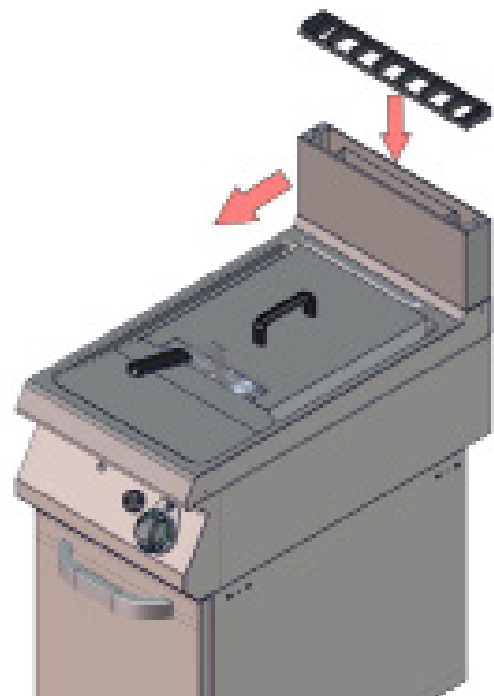
2) Place the nuts on the prepared screws, but do not tighten



3) Mount the chimney on the prepared screws with nuts



4) Attach the chimney by moving it forward and tightening



CLEANING AND MAINTENANCE

It is recommended to have the device checked by the professional service min. once a year. All interventions must be done by qualified person who is competent for this.

ATTENTION!

The device cannot be cleaned by direct or pressure water. Clean it daily. Daily maintenance keeps longer useful life and efficiency of the device. Before cleaning make sure to have disconnected the device from electricity. Always switch off the main feeder to the device. Stain-less parts wash with moist cleaning cloth and detergent without groove parts than wash it with clean water and dry it by the cloth. Do not use abrasive and corrosive detergents.

WHAT TO DO IN CASE OF BREAK-DOWN

Switch off the electric feeder and call seller's professional service.

INDICATION:

Guarentee does not cover all consumption parts succumable to common wear (rubber seals, bulbs, glas and plastic parts etc.). The guarantee does not refer to the devices which were not instaled in correspondance with instructions - by qualified worker, in confirmity with standards and when somebody handled incompetently the device (interventions into inner equipment) or the device was operated by nonqualified staff or at variance with instructions for use. Guarantee does not also cover the damages caused due to influence of nature or other outer intervention.

INDICATION:

Guarentee does not cover all consumption parts succumable to common wear (rubber seals, bulbs, glas and plastic parts etc.). The guarantee does not refer to the devices which were not instaled in correspondance with instructions - by qualified worker, in confirmity with standards and when somebody handled incompetently the device (interventions into inner equipment) or the device was operated by nonqualified staff or at variance with instructions for use. Guarantee does not also cover the damages caused due to influence of nature or other outer intervention.

DIE NORMENÜBEREINSTIMMUNGSDEKLARATION

Der Produzent erklärt, daß die Geräte in einer Übereinstimmung mit den Vorschriften der 2009/142/ES, dem Gesetz Nr. 22/1997 sb., nr. 258/2000 sb., nr. 38/2001 sb. der Sammlung und zugehörigen Regierungsverordnungen stehen. Die Installation muss mit der Absicht auf geltende Normen durchgeführt werden. Vorsicht, im Falle einer direkten oder indirekten Beschädigung, die sich auf falsche Installation, unrichtigen Eingriff oder Anpassungen, ungenügende Instandhaltung, unrichtige Verwendung beziehen, und welche eventuell durch andere Ursachen, als in Punkten der Verkaufsbedingungen angeführt ist, so verzichtet der Importeur auf jegliche Verantwortung. Dieses Gerät ist nur für fachliche Verwendung bestimmt und muß durch qualifizierte Person bedient werden. Teile, die nach der Einstellung durch den Hersteller oder durch befugte Person gesichert wurden, dürfen vom Benutzer keineswegs umgestellt werden.

DIE TECHNISCHEN DATEN

Das Schild mit technischen Angaben ist auf der Rückseite des Gerätes angebracht. Studieren sie vor der Installation das elektrische Schema der Einschließung und alle folgende Informationen durch.

MODEL	ANSCHLUSSWERT (KW)	ABMESSUNG (MM)	UMFANG (L)
FE-740-15 G	12,5	400 x 730 x 895	15
FE-780-15 G	2x 12,5	800 x 730 x 895	2x 15
FE-740-17 G	14	400 x 730 x 895	17
FE-780-17 G	2x 14	800 x 730 x 895	2x 17

DIE VERPACKUNGS-, UND VORRICHTUNGSKONTROLLE

Die Vorrichtung verlässt unsere Lager in ordentlicher Verpackung, auf deren die entsprechenden Symbole und Bezeichnungen stehen. In der Verpackung befindet sich entsprechende Bedienungsanweisung. Falls die Verpackung eine schlechte Behandlung oder Anzeichen der Beschädigungen vorweist, muß dieses sofort beim Transporteur reklamiert werden und zwar durch Unterzeichnung eines Schadensprotokolles.

Wichtige Hinweise

- Nur für professionellen Verbrauch geeignet
- Diese Bedienungsanleitung muss ordentlich und bedächtig gelesen werden, weil sie wichtige Informationen über Sicherheitsmerkmale, Installation und Anwendung beinhaltet
- Diese Empfehlungen beziehen auf diesen Produkt
- Der Produkt entspricht geltenden Normen
- Diese Anleitung muß ordentlich für die zukünftige Verwendung hinterlegt werden
- Hindern Sie den Kinder an Vorrichtungsm Manipulation
- Beim Verkauf oder Verlegung ist es notwendig sich zu überzeugen, daß die Bedienstperson oder Fachservis sich mit der Beherrschung und Installationsanweisung in beiliegender Anleitung, anvertraut gemacht haben.
- Das Produkt darf nur eingeschulte Bedienung bedienen
- Das Produkt darf nicht ohne Aufsicht ins Betrieb gesetzt sein
- Es ist empfohlen, minimal einmal pro Jahr eine Fachkontrolle durchführen zu lassen
- Bei eventueller Reparatur der Teilenumtauschungen müssen ausschließlich Originalteile angewendet werden
- Das Produkt darf nicht durch einen Wasserstrahl oder Druckbrause gereinigt werden
- Schalten Sie alle Leitungen (Wasser, Elektrizität, Gas) bei einer Störung oder beim schlechten Lauf aus und rufen Sie autorisierten Service an
- Der Hersteller verzichtet auf jegliche Verantwortung bei Störungen, die durch fehlerhafte Installation, Nichteinhaltung o.a. Empfehlungen, andere Verwendung u.ä, verursacht wurden

DIE PLATZIERUNG

Es ist unbedingt notwendig, zu der Regulation der Gerätetätigkeit, daß das Milieu - der Küche -, wo das Gerät installiert wird, sehr gut belüftbar ist (im Hinblick darauf: sei der Techniker sich mit geltenden Normen (EN) richtet). Wenn die Einrichtung so plaziert wird, daß sie im Mobiliarwandkontakt stehen wird, so müssen diese einer Temperatur von 90°C widerstehen. Die Installation, Herrichtung, Inbetriebnahme müssen durch qualifizierte Person, die zu solchen Vorkehrungen eine Befugnis hat und dies laut geltenden Normen nach, durchgeführt werden.

Packen Sie das Gerät aus und kontrollieren Sie , ob sich das Gerät während des Transportes nicht beschädigt hat. Platzieren Sie das Gerät auf eine waagrechte Fläche (maximale Unebenheit bis 2°). Stellen Sie das Gerät unter den Haubenabzug, damit Sie die Wasserdämpfe und den Geruch eliminieren. Das Gerät kann selbständig oder in einer Reihe mit Geräten unserer Herrstellung installiert werden. Es ist notwendig die minimale Entfernung von 10 cm zu anderen Gegenständen einzuhalten, so dass die Wärmeisollierung der brennbaren Teilen gewährleistet wird.

Das Gerät kann selbständig oder in einer Reihe mit Geräten unserer Herrstellung installiert werden. Es ist notwendig die minimale Entfernung von 10 cm zu anderen Gegenständen einzuhalten, so dass die Wärmeisollierung der brennbaren Teilen gewährleistet wird.

TECHNISCHE HINWEISE ZUR INSTALLATION UND REGELUNG

Wichtig:

Zur Benützung AUSSCHLIEßLICH nur für spezialisierte Techniker
Instruktionen, die folgen, wenden sich an den Techniker, der für die Installation qualifiziert ist, damit er alle Operationen mit der korrektesten Weise und laut der gültigen Normen durchführt.

Wichtig

Jeweils irgendeine Tätigkeit, die mit der Regulation verbunden ist u.ä, muß nur mit der aus dem Netz ausgezogenen und abgeschalteten Einrichtung vollgezogen sein.

Solange das Gerät unter der Spannung notwendig zu halten ist, eine höchste Vorsicht zu beachten vorliegt.

DIE SICHERHEITSVORRICHTUNGEN AUS DER SICHT DES FEUERSCHUTZES LAUT EN. 061008 ČL. 21

Die Einrichtungsbedienung dürfen nur Erwachsene ausführen

- Das Gerät darf sicher in gewöhnlicher Umgebung laut EN 332000-4-482; EN 332000-4-42 verwendet werden.
- Es ist notwendig das Gerät so platzieren, daß es auf einer unbrennbaren Grundlage steht oder hängt.
- Es dürfen, auf und in eine Entfernung, die kleineremase als sicher vom Gerät bezeichnet wird, keine Gegenstände aus brennbaren Materilien (die kleinste Entfernung vom Brennbarem ist 10 cm) aufgestellt werden.
- Die sicheren Entfernungen von Massen der einzelnen Brenngra

Tabelle:

Baumassefeuerbrenngrad ins Brenngrad (EN) der Massen und Produkte eingegliedert

A	Unbrennbar	Granit, Sandstein, beton, Ziegel, Keramikbekleidung, Putz
B	nicht einfach brennbar	Akumin, Heraklit, Lihnos, Itaver
C1	schwer brennbar	Holz, Laubbaum, Furnier Sirkoklit, Festpapier, Umakart
C2	mittel brennbar	Holzspanplatten, Solodur, Korkplatten, Hartgummi, Bodenbeläge
C3	leicht brennbar	Holzfaserverplatten, Polystyren, Polyureten, PVC

Die Bedarfsartikel müssen sicher installiert werden und sind mit regulierenbaren Beinchen - zur Ausgleichen der Höhe und der Unebenheiten eingestattet.

Die Geräte müssen in einer sicheren Weise installiert werden. Bei der Installation müssen weiter betreffende Projekt-, Sicherheits-, und Hygienevorschriften respektiert werden.

- EN 06 1008 Feuerschutz der örtlichen Geräte und der Wärmquellen
- EN 33 2000 (33 2000-4-482; 33 2000-4-42) Umgebung für elektrische Geräte
- Gasversorgung -Gasleitunge in Gebäuden - Höchste Verkehrsdruck ≤ 5 BarVerkehrsansprüche,
- § 10 des Gesetzes Nr.185/2001 Sb., der Abfälle betrifft.

ROHR FÜR GASANSCHLÜSSEN

Es muss zuerst feststellen, ob das Gerät für die gleiche Art von Gas, das verwendet werden soll, wird und entspricht damit den auf dem Etikett die Art des Gases verwendet werden.

Die Umwandlung von Gas Pfanne auf eine andere Gasart müssen Sie überprüfen, ob es auf die Art der Gas-Lager, die in diesem Handbuch empfohlen wird, entspricht.

Anschließen des Gerätes an die Gasversorgung muss Anhängelast auf einer Stahl-oder Kupferrohr Beachtung der geltenden nationalen Anforderungen. Dies muss regelmäßig kontrolliert werden und bei Bedarf geändert. Jedes Gerät muss mit Absperrventil und schnelle Absperrventil ausgestattet sein. Schnell-Absperrventil muss frei zugänglich sein und innerhalb der Reichweite des Gerätes. Nach der Installation ist zu prüfen, ob es ein Gas austritt. Um ein Gasleck Sie Seifenwasser oder Spray zur Lecksuche können zu finden.

Verwenden Sie keine ätzenden Stoffen! Alle unsere Geräte werden sorgfältig kontrolliert. Gasart, Druck und der Kategorien auf der technischen Informationen Platte benannt.

Flüssiggas-Anschluss:

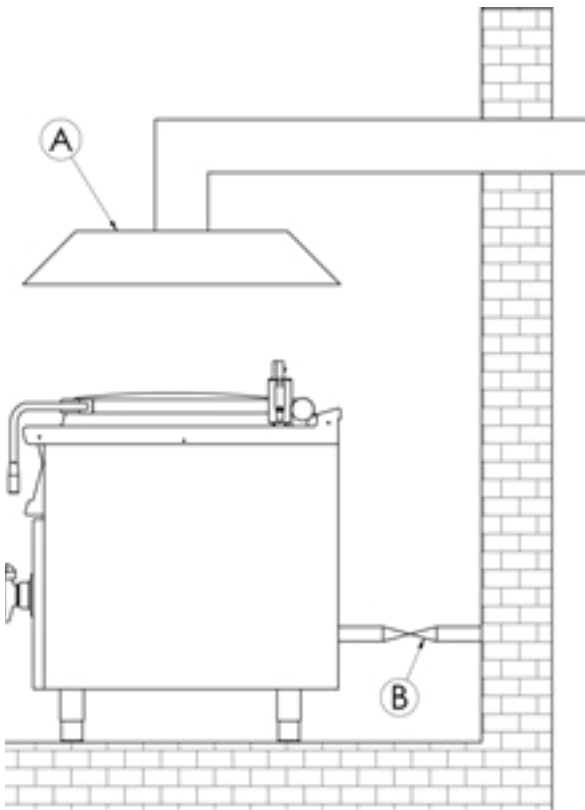
Der Druck für Flüssiggas-Verbindung muss 28 oder 30 mbar für Propan / Butan und 37 mbar für Propan sein. Es ist notwendig, um die technische Etikett überprüfen, messen den Druck und Kontrolle der Parameter der Düse wird mit den erforderlichen Parametern der Düse gemäß der Herstellerangaben installiert. Ist der Druck niedriger als 25mbar oder höher als 37 mbar, darf das Gerät nicht ANZUSCHLIESSEN.

Gas-Anschluss:

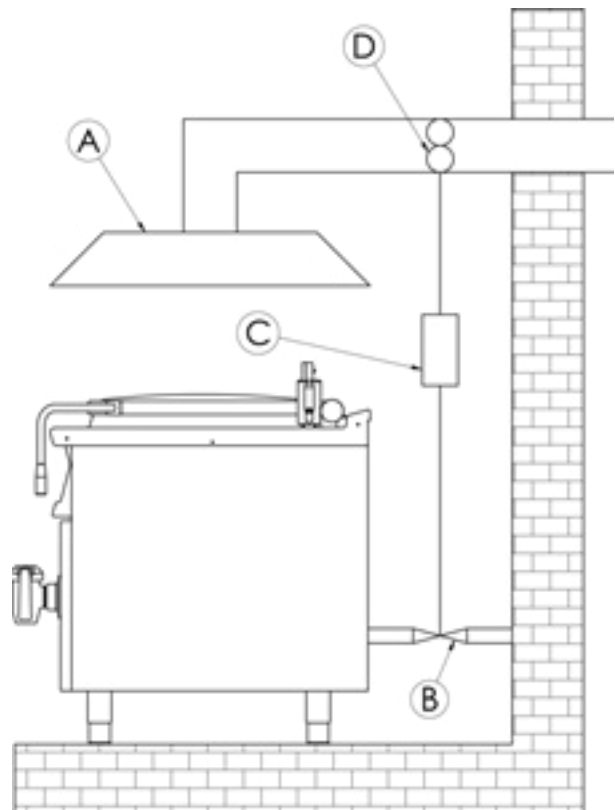
Der Druck für die Methan-Anschluss muss 18 oder 20 mbar betragen. Es ist notwendig, um die technische Etikett überprüfen, messen den Druck und Kontrolle der Parameter der Düse wird mit den erforderlichen Parametern der Düse gemäß der Herstellerangaben installiert. Wenn der Gasdruck niedriger ist als 15 mbar oder höher als 22,5 mbar, darf das Gerät nicht ANZUSCHLIESSEN.

KAMIN-DESIGN FÜR EIN GERÄT VOM TYP A

NATURAL EXTRACTION



ABSAUGANLAGE



Outlet Kapuze mit natürlichen Extraktion (A). Rauchgas sorgt für einen natürlichen Kaminzug.

Outlet Haube ohne natürliche Extraktion. Rauchgas wird durch einen Ventilator (D) (erzwungene Extraktion) gesichert. In diesem Fall ist es erforderlich, die Verbindung mit einer Gaszuführung (B), um die Gaszufuhr bei Ausfall zu sichern.

PRÜFEN der Gasart Das Gerät ist für EINGESTELLT

Unsere Geräte sind zertifiziert und reguliert das Erdgas (siehe technische Platte). Umwandlung oder Anpassung an eine andere Gasart müssen von autorisiertem Personal durchgeführt werden. Düsen für verschiedene Arten von Gas sind in einer Tüte mit dem Gasherd gestellt und sind im hundertstel mm (Tabelle der technischen Daten Rohre) markiert.

Düsenwechsel und Druckeinstellung

Beim Austausch der Düse des Hauptbrenners ist wie folgt zu verfahren:

- 1) Nehmen Sie den Bedienknopf vom vorderen Paneel ab. (Abb.1, Anm.1)
- 2) Demontieren Sie das vordere Paneel. (Abb.1, Anm.2)
- 3) Zur Erleichterung des Zugangs empfehlen wir, auch das hintere Paneel zu demontieren (sofern möglich). (Abb.1, Anm.3)
- 4) Gemäß der Abb. 2 schrauben wir die Düse aus dem Hauptbrenner heraus und ersetzen sie durch die Düsen gemäß der Tabelle „DIE TECHNISCHE DATEN“.
- 5) Wir stellen die Luftzufuhr für das jeweilige Gas gemäß der Tabelle „DIE TECHNISCHE DATEN“ ein.

Den Pilotbrenner stellen wir ein, indem wir die Sicherungsmutter (Abb.3, Anm. 1) mit dem Schlüssel lockern, anschließend die Düse des Pilotbrenners (Abb.3, Anm. 2,3) mit der Feder xxx herausschrauben und durch die Düse für das jeweilige Gas gemäß der Tabelle ersetzen. Wir ziehen die Kappe der Düse mit dem Schlüssel fest und stellen das „Spar“-Regime ein - siehe Text unten.

wichtig:

Nach dem, was getan Einstellen des Gerätes an andere Art von Gas, ist es notwendig, das Gas auf dem technischen Platte an einer sichtbaren Stelle an der Rückseite des Geräts angegeben ändern.

Anpassen der Flamme bei reduzierter Leistung „SPAREN“

Flamme bei reduzierter Leistung „Speichern“ kann mit der Schraube in dem Ventilkörper (Anm. 1, Abb. 5). Platziert gesetzt werden positioniert neben dem Ventilschaft

Für die Einstellung wie folgt vorgehen:

- Entfernen Sie den Drehknopf (Anm. 1, Abb. 4). Ziehen Sie in Richtung
- Stellen Sie die Flamme durch das Loch mit Schraubenzieher

PRÜFEN der Gasart Das Gerät ist für EINGESTELLT

Unsere Geräte sind zertifiziert und reguliert das Erdgas (siehe technische Platte). Umwandlung oder Anpassung an eine andere Gasart müssen von autorisiertem Personal durchgeführt werden. Düsen für verschiedene Arten von Gas sind in einer Tüte mit dem Gasherd gestellt und sind im hundertstel mm (Tabelle der technischen Daten Rohre) markiert.

Düsenwechsel und Druckeinstellung

Beim Austausch der Düse des Pilotbrenners ist wie folgt zu verfahren:

- 1) Nehmen Sie den Bedienknopf vom vorderen Paneel ab. (Abb.3)
- 2) Demontieren Sie das vordere Paneel. (Abb.3)
- 3) Demontieren Sie das Zuleitungs-Kupferrohr vom Pilotbrenner (Abb. 4B)
- 4) Gemäß der Abb. 2 schrauben wir die Düse aus dem Hauptbrenner heraus und ersetzen sie durch die Düsen gemäß der Tabelle „DIE TECHNISCHEN DATEN“. (Abb. 4C)

Den Hauptbrenner stellen wir ein, indem wir die Sicherungsmutter (Abb.2) mit dem Schlüssel lockern, anschließend die Düse des Hauptbrenners (Abb.2) mit der Feder xxx und durch die Düse für das jeweilige Gas gemäß der Tabelle ersetzen. Wir ziehen die Kappe der Düse mit dem Schlüssel fest.

wichtig:

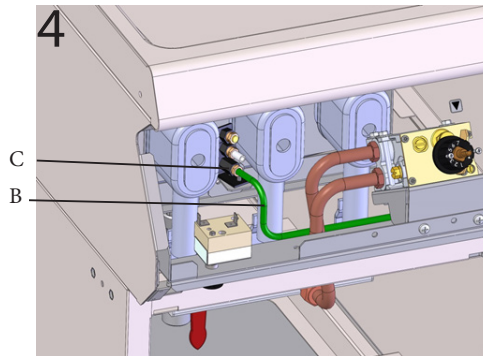
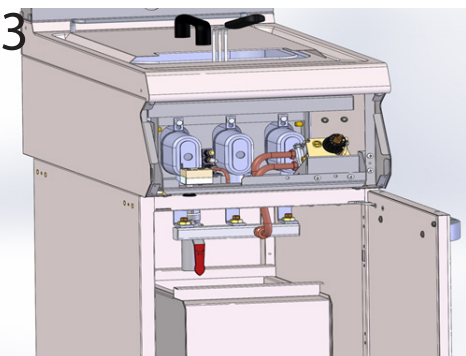
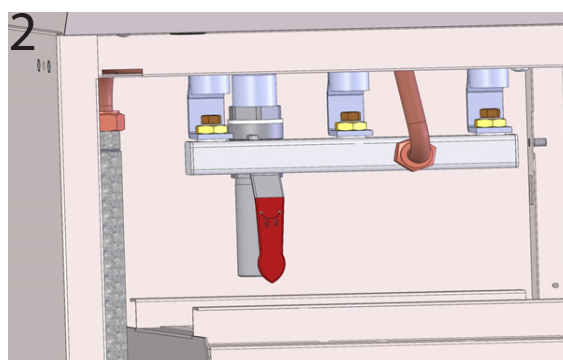
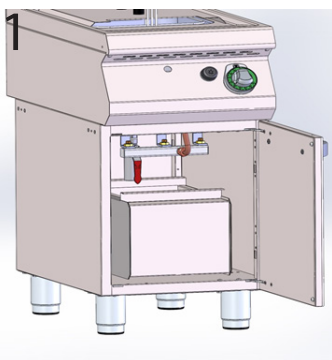
Nach dem, was getan Einstellen des Gerätes an andere Art von Gas, ist es notwendig, das Gas auf dem technischen Platte an einer sichtbaren Stelle an der Rückseite des Geräts angegeben ändern.

Anpassen der Flamme bei reduzierter Leistung „SPAREN“

Flamme bei reduzierter Leistung „Speichern“ kann mit der Schraube in dem Ventilkörper (Anm. 1, Abb. 5). Platziert gesetzt werden positioniert neben dem Ventilschaft

Für die Einstellung wie folgt vorgehen:

- Entfernen Sie den Drehknopf (Anm. 1, Abb. 4). Ziehen Sie in Richtung
- Stellen Sie die Flamme durch das Loch mit Schraubenzieher



GEBRAUCHSANWEISUNG

Vorsicht!

Bevor Sie das Gerät verwenden werden, ist es notwendig ihn gut mit feuchte Waschlappen abzuwaschen, und danach ins Trocken abzuwischen. Lassen Sie nie das Gerät ohne Aufsicht im Betrieb. Schalten Sie nie das Gerät ohne Öl oder wenn sein Niveau unter der Minimumstrich ist ein. Falls der Öl beschmutzt ist oder Sie ihn längerer Zeit verwenden, droht die Gefahr der Ölentzündung.

Anzündung des Hauptbrenners und Thermoregulation: Bilder A,B

Geben Sie der Regulationsknopf (2) in die Position „Anzündung des Hauptbrenners“ und dann drücken Sie den Knopf und halten Sie ihn. Drücken Sie mehrmals Knopf des Piezzoanzünder (1) bis sich der Hauptbrenner anzündet. Die Flamme können Sie durch Lücke im Vorntafel sehen. Nach Anzündung des Brenners halten Sie den Knopf Nr (2) einige Sekunden gedrückt bis Thermosicherung warm wird. Danach lockern Sie den Knopf. Wenn die Flamme erlöscht, wiederholen Sie ganze Verfahrung.

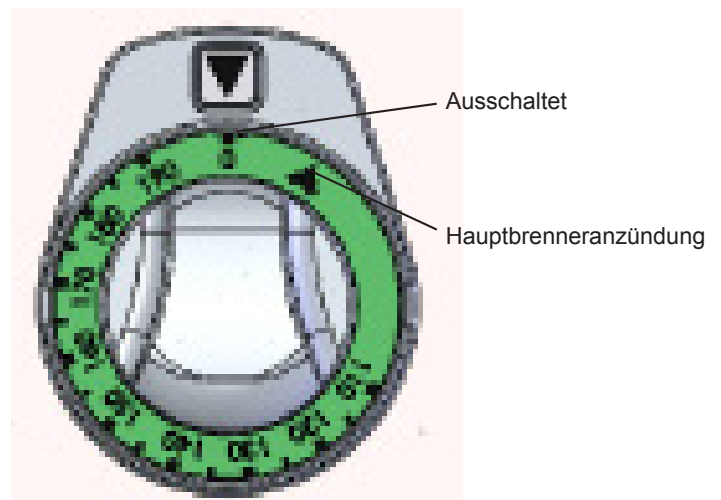
• Ausschaltung des Gerätes

Drehen Sie den Knopf in Position „0“.



① Der Piezzoanzünder

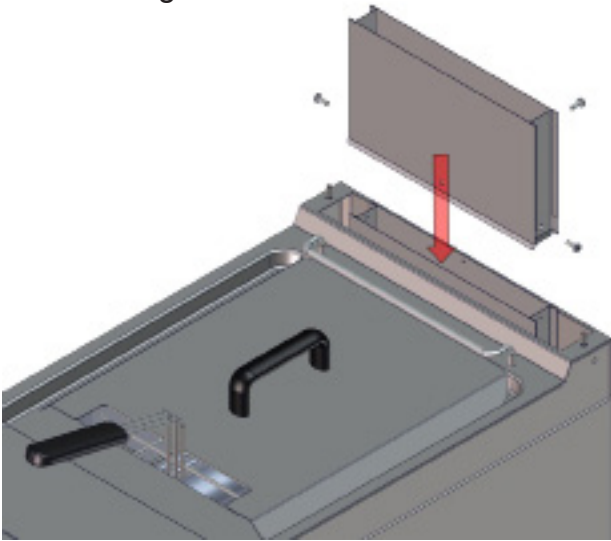
② Der Knopf



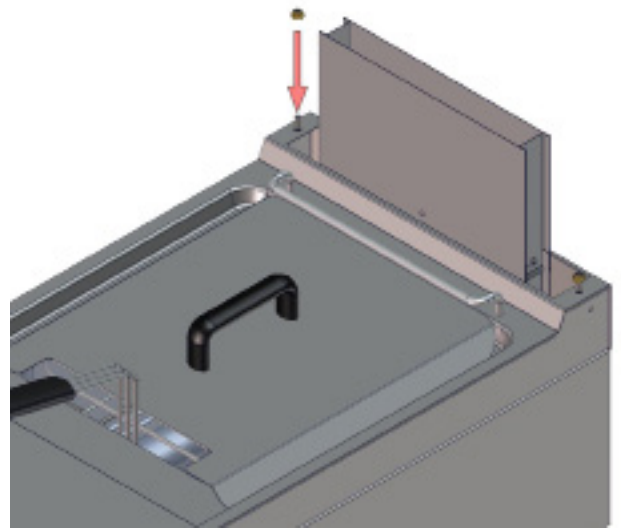
Die Bemerkungen und Empfehlungen

Kontrollieren Sie immerwährend den Ölspiegel, verwenden Sie niemals das Gerät ohne Öl. Benützen Sie das Gerät nur unter Aufsicht.

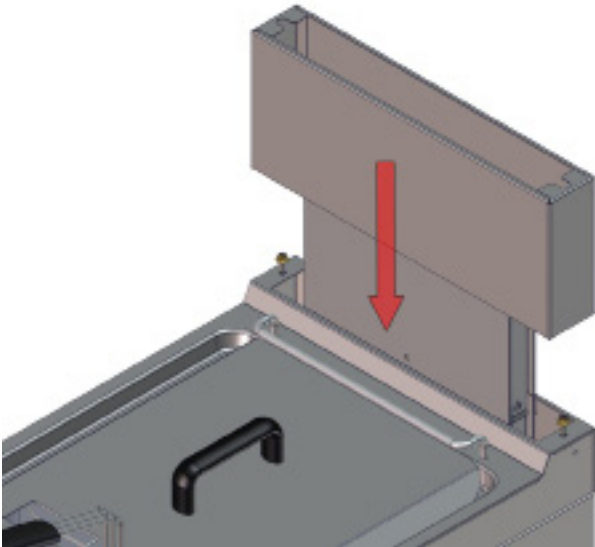
1) Verlängerungsansatz des Abgasrohres ansetzen und mit selbstschneidenden Schrauben befestigen



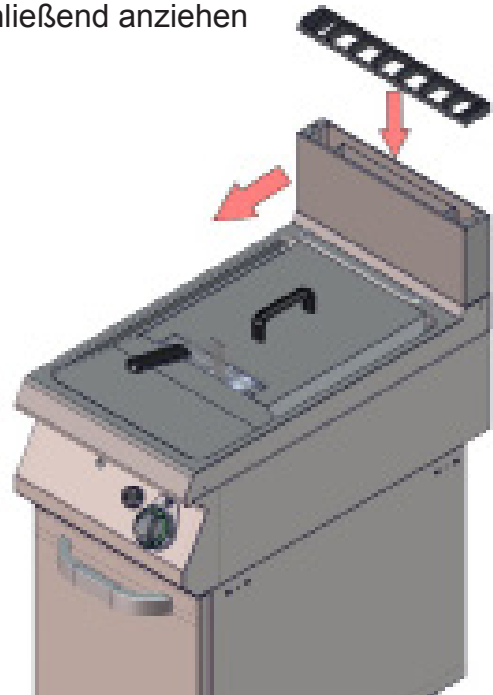
2) An die vorbereiteten Schrauben entsprechende Muttern ansetzen, diese jedoch nicht anziehen



3) An die vorbereiteten Schrauben mit Muttern das Abgasrohr ansetzen



4) Das angesetzte Abgasrohr durch Verschiebung nach vorne sichern und anschließend anziehen



DIE REINIGUNG UND INSTANDSHALTUNG

ACHTUNG! Die Einrichtung darf nicht mit Direkt-, oder Druckwasserstrahl gereinigt werden. Reinigen Sie das Gerät täglich. Die Lebensdauer und Gerätewirkung wird durch die tägliche Wartung gewährleistet. Überzeugen Sie sich, vorm Reinigungsanfang, dass Sie die Einrichtung vom Elektrostrom abgeschaltet haben. Schalten Sie immer die Gerätehauptzufuhr ab. Waschen Sie die Edelstahlteile mit feuchtem Waschlappen, der im Waschpulver getauft ist und keine grobe Teilchen aufweist. Wischen Sie alles ins Trockene ab. Verwenden Sie keine abrasive- oder korrosionsreiche Reinigungsmitteln.

WIE MAN IM FALLE EINER STÖRUNG VORANGEHEN SOLL

Schalten sie die elektrische Stromleitung ab und rufen die Serviceorganisation des Verkäufers an.

HINWEIS

Die Garantie bezieht sich nicht auf alle Verbrauchsteile, die der geläufiger Abnutzung unterstehen (gesamte Gummidichtungen, Glühlampen, alle glasemde und plastiche Teile, usw.). Die Garantie bezieht sich nicht weiterhin auf Einrichtungen, die durch befugte Person laut Anweisung und entsprechender Normen nicht installiert worden sind und wenn mit dem Gerät unfachmännisch manipuliert wurde (Eingriffe ins Innere) und auf Beschädigungen durch Natureinflüsse oder Ausseneingriffe.

DÉCLARATION DE CONFORMITÉ

Le fabricant certifie la conformité des appareils aux normes 2009/142/ES à la loi n° 22/1997 sb., 258/2000 sb., 258/2000 sb. et aux décrets applicables. L'installation doit être effectuée dans le respect des normes en vigueur. Attention: le fabricant décline toute responsabilité en cas de dommages, directs ou indirects, causés par une mauvaise installation, par une utilisation, des interventions ou des modifications impropres, par un entretien insuffisant, ainsi qu'en cas de dommages dérivant des causes mentionnées dans les conditions de vente. L'appareil objet de la présente notice est prévu pour un usage professionnel, aussi son utilisation doit-elle être confiée à un personnel possédant les compétences nécessaires à cet effet. L'utilisateur ne doit procéder à aucune intervention ni à aucune modification sur les parties réglées et protégées par le fabricant ou autre personnel autorisé à cet effet.

CARACTÉRISTIQUES TECHNIQUES

L'étiquette sur laquelle figurent les caractéristiques techniques est apposée sur la partie postérieure de l'appareil. Avant de procéder à l'installation, prendre connaissance du schéma électrique et de toutes les informations que contient la présente notice.

MODEL	PUISSANCE (KW)	DIMENSIONS (MM)	CAPACITÉ (L)
FE-740-15 G	12,5	400 x 730 x 895	15
FE-780-15 G	2x 12,5	800 x 730 x 895	2x 15
FE-740-17 G	14	400 x 730 x 895	17
FE-780-17 G	2x 14	800 x 730 x 895	2x 17

CONTROLE DE L'EMBALLAGE ET DE L'APPAREIL

En vue de son transport, l'appareil quitte les établissements du fabricant parfaitement emballé (sur l'emballage sont apposés les étiquettes et les symboles nécessaires à cet effet). L'emballage contient également la notice des instructions d'utilisation. Dans le cas où l'emballage présenterait des dommages ainsi que dans le cas où il s'avérerait qu'il a été manipulé sans les précautions nécessaires, il est impératif d'adresser sans attendre une déclaration au transporteur en y joignant une acceptation de la marchandise sous réserve.

Recommandation importante:

- Pour usage professionnel seulement
- La présente notice des instructions d'utilisation et d'entretien contient d'importantes informations relatives à la sécurité, à l'installation et à l'utilisation; il est nécessaire d'en effectuer attentivement la lecture.
- Les recommandations se réfèrent à l'appareil objet de la présente notice.
- L'appareil est conforme aux normes en vigueur.
- Veiller à bien conserver la notice de telle sorte qu'elle puisse être consultée à tout moment en cas de besoin.
- Ne pas laisser des enfants s'approcher de l'appareil durant son utilisation.
- Pendant la vente ou après le déménagement de l'appareil vérifier que le personnel lise attentivement la présente notice d'utilisation
- L'appareil ne peut être utilisé que par le personnel instruit
- L'appareil ne peut être laissé en marche sans surveillance
- Il est recommandé de faire l'appareil contrôler au moins une fois par an dans un service spécialisé
- Ne pas utiliser que des pièces détachées originelles.
- En cas de défaut ou de mauvaise fonction, débrancher l'appareil (eau, gaz, électricité) et appeler un service spécialisé
- Le fabricant décline toute responsabilité en cas de dommages, directs ou indirects, causés par une mauvaise installation, utilisation, etc

LA LOCATION

Le local dans lequel l'appareil est installé doit être bien ventilé. Si l'appareil doit toucher le parois, celui-ci doit résister à la chaleur de 90°C au minimum. L'installation, le réglage et la mise en marche doivent être effectués par une personne qualifiée ayant une autorisation nécessaire selon les normes en vigueur.

Déballez l'appareil et vérifiez s'il n'était pas endommagé pendant le transport. Placez l'appareil sur une surface horizontale (pente maximale de 2°). Placez l'appareil sous une hotte pour éliminer la vapeur et mauvaise odeur.

L'appareil peut être installé seul ou en série avec d'autres appareils de notre fabrication. Il faut respecter la distance minimale de 10 cm entre l'appareil et d'autres objets ainsi qu'éviter le contact avec les matériaux inflammables. Dans ce cas il faut prévoir les arrangements nécessaires pour assurer la protection des parties inflammables.

INSTRUCTIONS TECHNIQUES POUR INSTALLATION ET REGLEMENT

Important:

Le fabricant ne fournit pas de garantie pour les défauts causés par l'usage, tout manquement impropre aux instructions contenues dans les instructions ci-jointes pour l'utilisation et aux mauvais traitements des appareils.

Installation, réglage et réparation d'appareils pour les cuisines, ainsi que leur élimination en raison de dommages possibles au gaz peut être effectuée qu'en vertu d'un contrat de maintenance, ce contrat peut être signé avec un distributeur agréé, et doivent être conformes à la réglementation technique et normes et réglementations concernant l'installation, l'alimentation, de raccordement de gaz et de la santé et la sécurité du système.

Ces instructions sont destinées au technicien qualifié qui doit effectuer l'installation, le mettre en marche et tester l'appareil.

Toute activité en tant que paramètres, le placement, le rééquilibrage etc, doit être faite que lorsqu'il est périphérique déconnecté de l'électricité. Si il est nécessaire d'avoir le périphérique connecté à l'électricité, vous devez garder la plus grande attention afin d'éviter toute blessure.

MÉSURES DE SÉCURITÉ POUR LA PROTECTION CONTRE INCENDIE SELON EN 06 1008 ARTICLE 21:

- l'appareil ne peut être utilisé que par des personnes majeures
- l'appareil peut être utilisé dans un espace ordinaire selon EN 332000-4-482; 332000-4-42
- l'appareil doit être placé ou suspendu d'une manière stable sur une surface ininflammable

Il est interdit de placer sur l'appareil ou dans la distance inférieure à 10 cm de l'appareil des objets inflammables.

- les distances de sécurité pour les matériaux inflammables selon leurs degré d'inflammabilité et les informations sur l'inflammabilité des matériaux de construction – voir le tableau

Tableau:

degré d'inflammabilité d'un matériel de construction (EN 730823)

A ininflammables	granit, grès, béton, briques, carrelage céramique, enduit
B difficilement inflammables	acumin, héraclite, lihnos, itaver
C1 mal inflammables	bois des arbres feuillus, contre-plaqué, papier durci, umakart
C2 inflammabilité moyenne	aggloméré, solodur, liège, caoutchouc, revêtements
C3 inflammabilité facile	planches de fibre de bois, polystyrène, polyurethane, PVC

L'appareil doit être installé d'une manière sûre. Pour l'ajustage de l'appareil est ce-ci procuré des pieds réglables.

- EN 06 1008 protection contre incendie des consommateurs d'énergie locaux et des émetteurs de chaleur
- EN 33 2000 (33 2000-4-482; 33 2000-4-42) le milieu pour les appareil électriques

TUYAU D'AMENÉE DU GAZ

Il faut d'abord déterminer si l'appareil est fait pour le même type de gaz qui sera utilisé et est donc conforme aux indications figurant sur l'étiquette du type de gaz utilisé.

La conversion de la poêle à gaz à un autre type de gaz, vous devez vérifier si elle correspond au type de palier à gaz, ce qui est recommandé dans ce guide.

Connexion de l'appareil à la distribution de gaz doit être tractable à un tube d'acier ou de cuivre se conformer aux exigences applicables nationales. Ce doit être contrôlée sur une base régulière et changé si nécessaire. Chaque appareil doit être équipé d'un robinet d'arrêt et rapide robinet d'arrêt. Rapide robinet d'arrêt doit être librement accessible et à portée de main de l'appareil. Après l'installation, est nécessaire pour vérifier s'il ya une fuite de gaz. Pour trouver une fuite de gaz, vous pouvez utiliser de l'eau savonneuse ou un spray pour la détection de fuite de gaz.

Ne pas utiliser de substances corrosives! Tous nos appareils sont soigneusement contrôlés. Type de gaz, la pression et des catégories énumérées le nom figure sur la plaque de l'information technique.

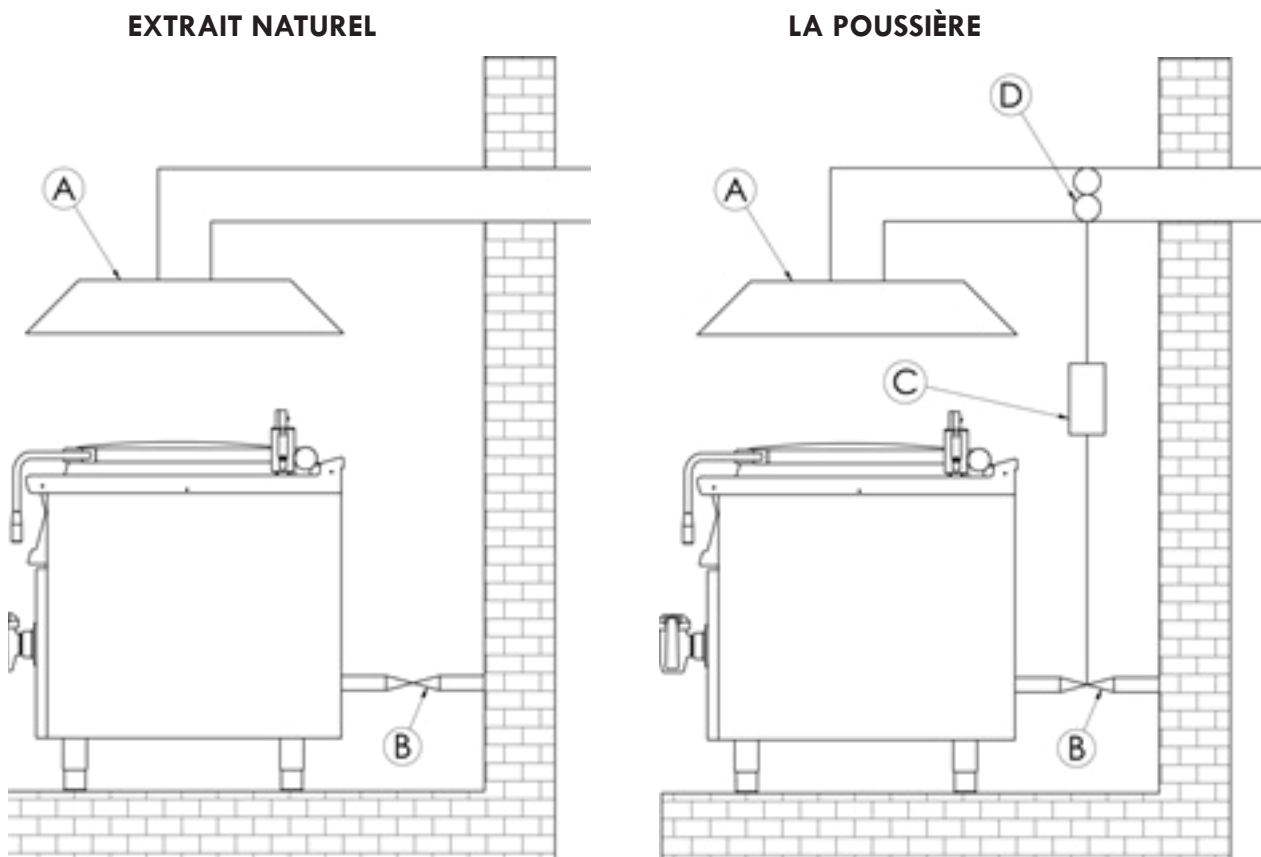
Raccordement au gaz liquide:

La pression de gaz pour le raccordement de liquide doit être 28 ou 30 mbar pour le propane / butane et 37 mbar pour le propane. Il est nécessaire de vérifier l'étiquette technique, d'évaluer la pression et vérifier les paramètres de la buse est installé avec les paramètres requis de la buse selon les indications du fabricant. Si la pression est inférieure à 25mbar ou supérieure à 37 mbar, l'appareil doit ne pas être connecté.

Raccordement au gaz:

Pression pour la connexion du méthane doit être 18 ou 20 mbar. Il est nécessaire de vérifier l'étiquette technique, d'évaluer la pression et vérifier les paramètres de la buse est installé avec les paramètres requis de la buse selon les indications du fabricant. Si la pression du gaz est inférieure à 15mbar ou supérieur à 22,5 mbar, l'appareil doit ne pas être connecté.

CHEMINÉE POUR LA CONCEPTION D'UN DISPOSITIF DE TYPE A



Hotte aspirante avec extraction naturelle (A). Gaz de combustion fournit un tirage de la cheminée naturelle.

Bouchon à la sortie sans extraction naturelle. Des gaz de combustion est assurée par un ventilateur (D) (extraction forcée). Dans ce cas il faut assurer la connexion avec une alimentation en gaz (B) à l'alimentation en gaz en cas de défaillance.

CHECK THE GAS TYPE THE DEVICE IS ADJUSTED FOR

Nos appareils sont certifiés et réglementée du gaz naturel (voir la plaque technique). Conversion ou l'adaptation à un autre type de gaz doit être effectuée par du personnel autorisé. Buses pour différents types de gaz sont dans un sac fourni avec la cuisinière à gaz et sont marqués en centièmes de mm (table des tuyaux de données techniques).

Remplacement de la buse et de réglage de pression

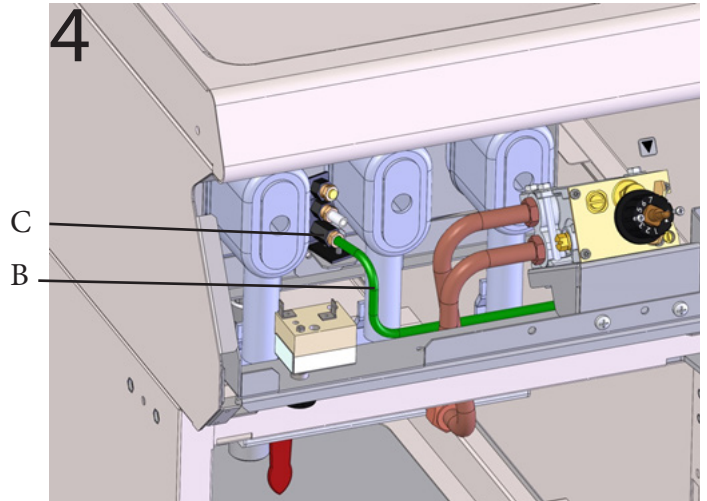
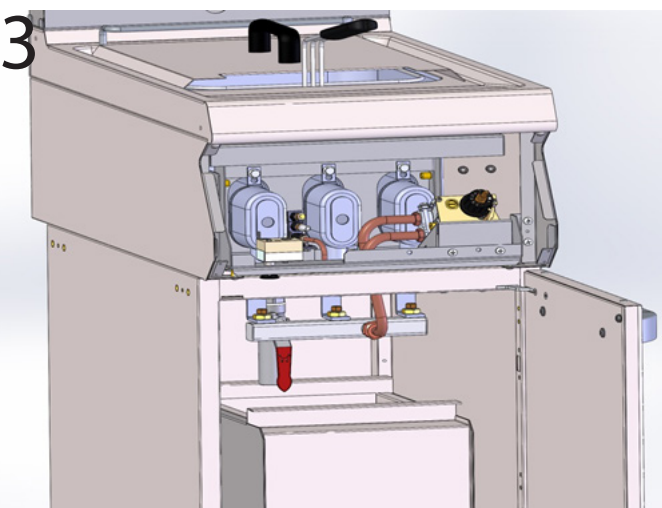
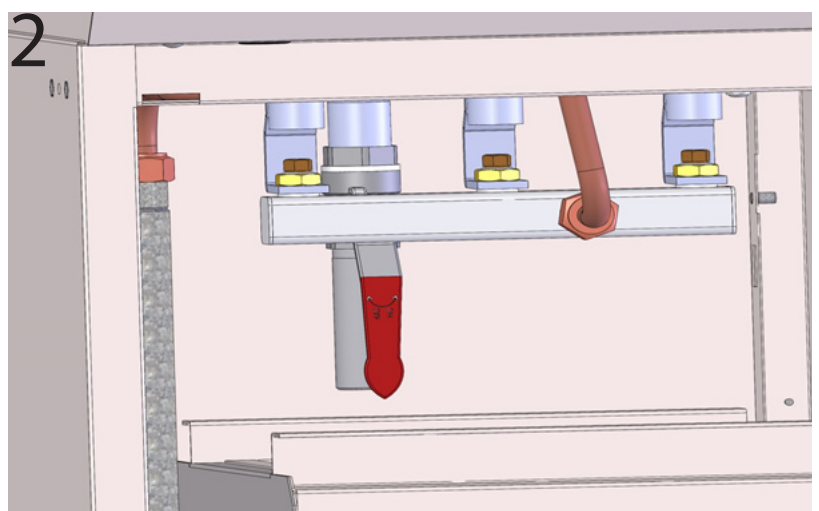
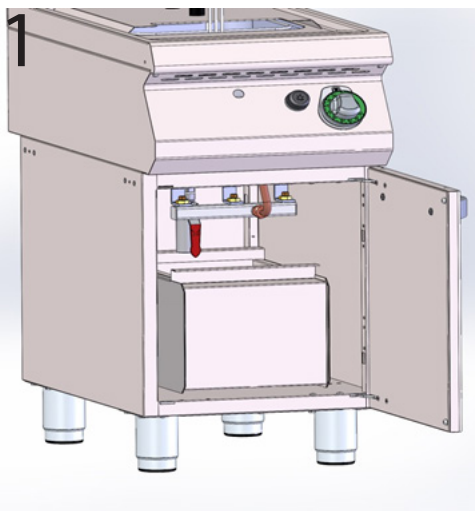
Pour changer la buse du brûleur pilot, veuillez suivre les instructions suivantes :

- 1) Retirer les boutons de commande du panneau frontal (fig. 3)
- 2) Démontez le panneau frontal (fig.3)
- 4) Démontez le tube d'arrivée en cuivre du brûleur pilote (fig. 4B)
- 3) Dévisser la buse du brûleur pilot conformément à l'image (4C) et la remplacer par la buse indiquée dans le tableau „CARACTÉRISTIQUES TECHNIQUES“.

Régler le brûleur principal en desserrant la vis de sécurité avec une clé, puis dévisser la buse du brûleur principal (fig-2) et la remplacer par une buse correspondant au type de gaz utilisé en respectant les instructions du tableau. Serrer le capot de la buse avec une clé et régler le mode « éco », voir texte ci-dessous.

Important:

Après ce qui s'est fait ajuster l'appareil à un autre type de gaz, il est nécessaire de changer le gaz indiqué sur la plaque technique situé dans un endroit visible sur le dos de l'appareil.



MODE D'EMPLOI

Utilisation à l'aide d'huile: il est recommandé de faire usage d'une huile de bonne qualité (type ...); les meilleurs résultats s'obtiennent à l'aide d'huile d'olive ou d'huile d'arachide. Utilisation à l'aide de graisse: les graisses les mieux adaptées sont les graisses de type végétales; la graisse doit être fondue avant d'être placée dans la friteuse.

Une fois effectuées les opérations de filtrage et de nettoyage, remplir à nouveau la friteuse et, au besoin, rajouter la quantité d'huile nécessaire pour rétablir le niveau.

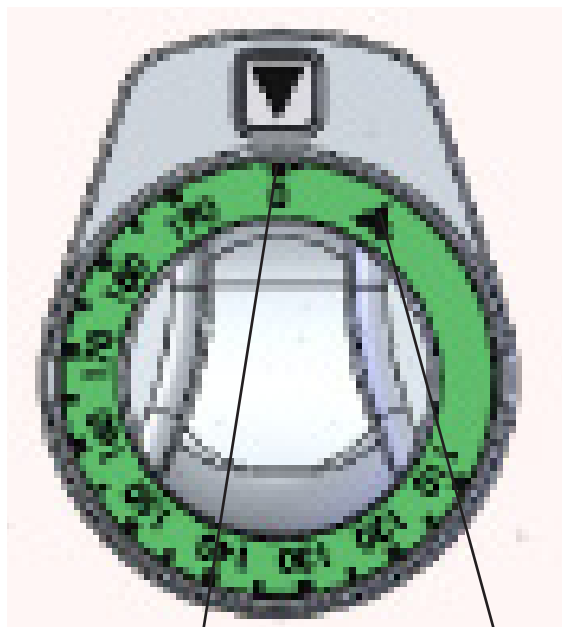
Allumage du brûleur principal et régulation de la puissance thermique:

Mettre le bouton du robinet (2) dans la position « l'allumage du brûleur principal », appuyer sur lui et tenir, appuyer plusieurs fois sur le bouton de l'allumeur piezzo jusqu'à ce que le brûleur principal ne s'allume. Vous pouvez voir la flamme à travers le trou dans le panneau frontal. Tenez le bouton (2) encore pendant quelques secondes jusqu'à ce que la sonde thermique ne se chauffe, puis lâchez le bouton. Si la flamme s'éteint, répétez le procédé.

Mettez le bouton (2) dans la position « 0 ».

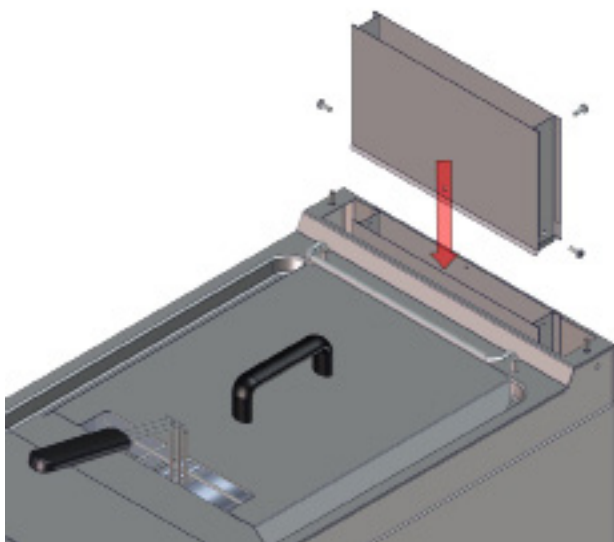


- ① Piezzo
- ② Bouton

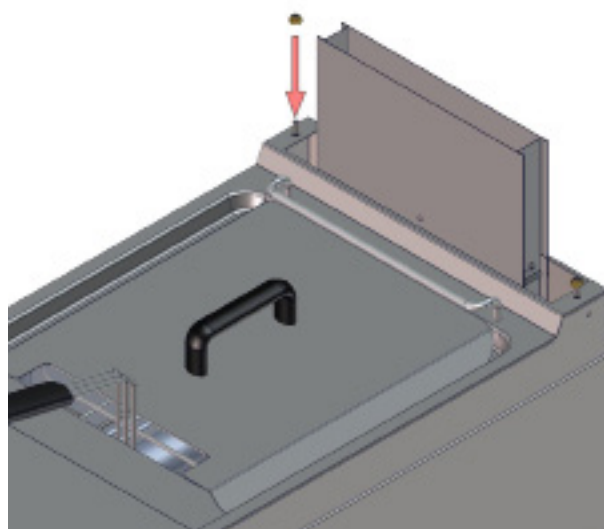


Débranché
Inflammation de bruleur

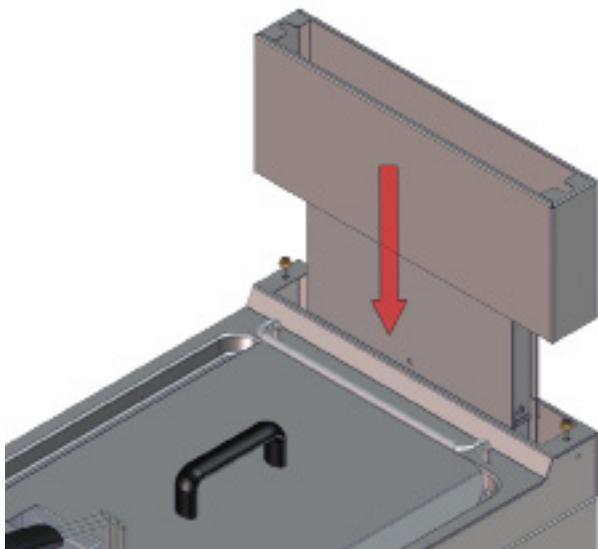
1) Emmancher la rallonge du conduit et fixer avec des vis autoforeuses



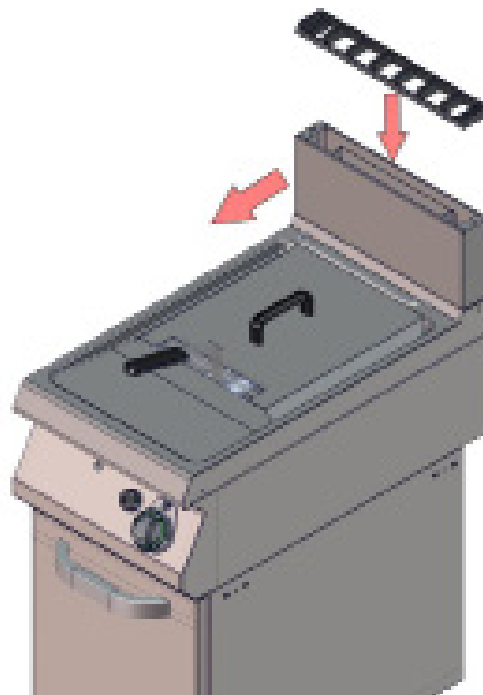
2) Engager les écrous sur les vis mais ne pas les serrer



3) Emmancher le conduit sur les vis avec écrous qui viennent d'être préparées



4) Fixer le conduit emmanché en le déplaçant vers l'avant et serrer



NETTOYAGE ET ENTRETIEN

Il est recommandé de faire contrôler l'appareil dans un service spécialisé au moins une fois par an. Toutes les interventions peuvent être effectuées seulement par une personne qualifiée ayant une autorisation pour ces interventions.

ATTENTION ! L'appareil ne peut pas être nettoyé sous l'eau courante ou de pression. Nettoyer l'appareil chaque jour. Nettoyage quotidien prolonge la vie et le fonctionnement de l'appareil. Avant le nettoyage vérifier, si l'appareil est débranché. Toujours débrancher l'alimentation principale. Les pièces en inox nettoyer à l'aide d'un torchon humide et un détergent sans particules abrasives, rincer, sécher. Ne jamais utiliser les produits abrasifs ou corrosifs.

Comment procéder en cas de panne de l'appareil

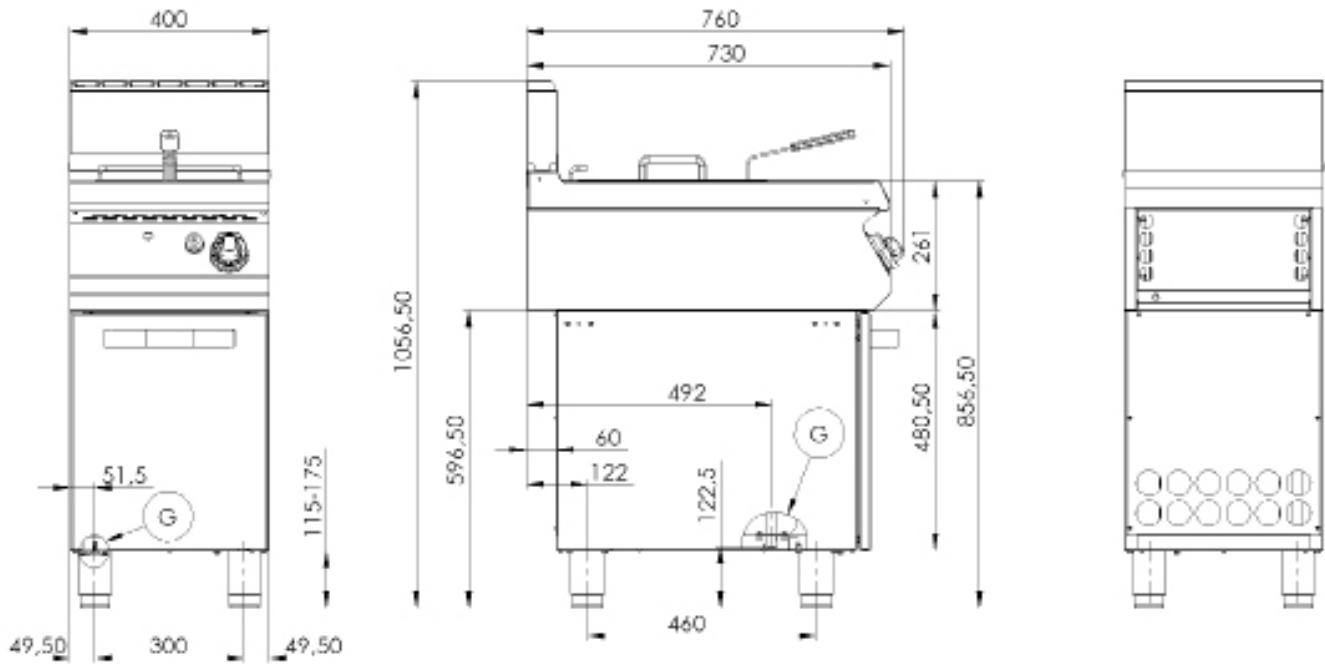
Débrancher l'appareil et appeler le service spécialisé.

AVERTISSEMENT:

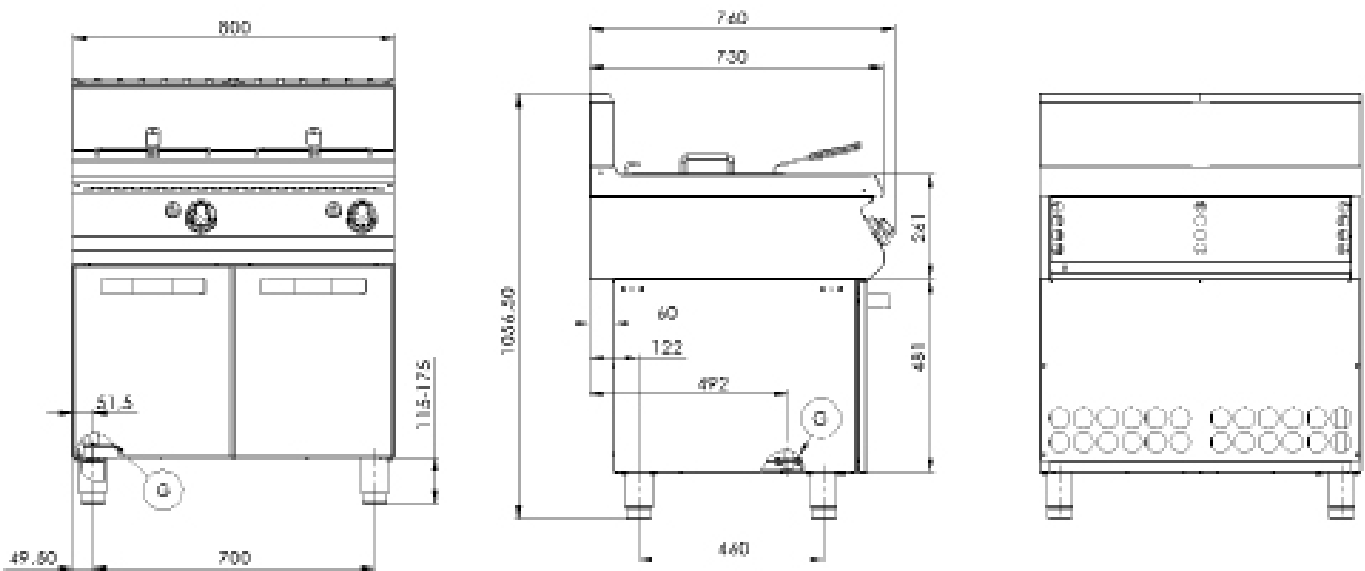
La garantie ne concerne pas les bouchons en caoutchouc, bulbes, parties en verre et en plastique. Elle ne concerne également pas tout l'appareil si l'installation n'a pas été effectuée par une personne qualifiée, selon le mode d'installation ou selon les normes en vigueur ou si l'appareil n'a pas été utilisé selon le mode d'emploi, s'il y avait des interventions nonprofessionnelles (interventions à l'intérieur de l'appareil). La garantie ne concerne pas les dommages causés par la pluie, vent, etc.

DIMENSION PLANS / MASSSKIZZEN / DIMENSIONS

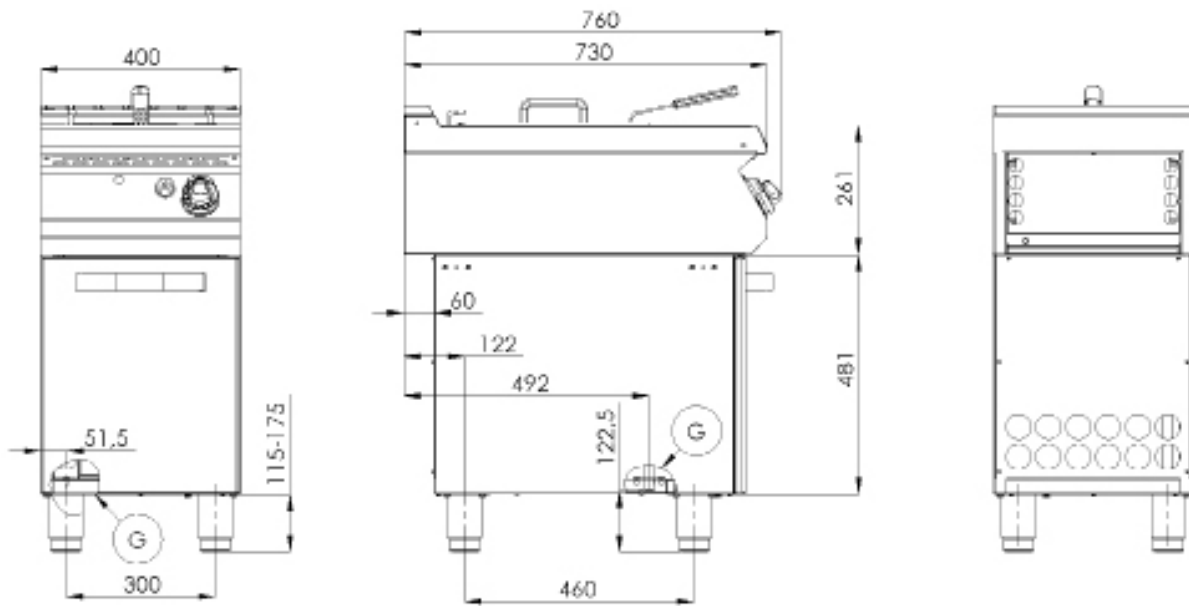
FE-740/15 G



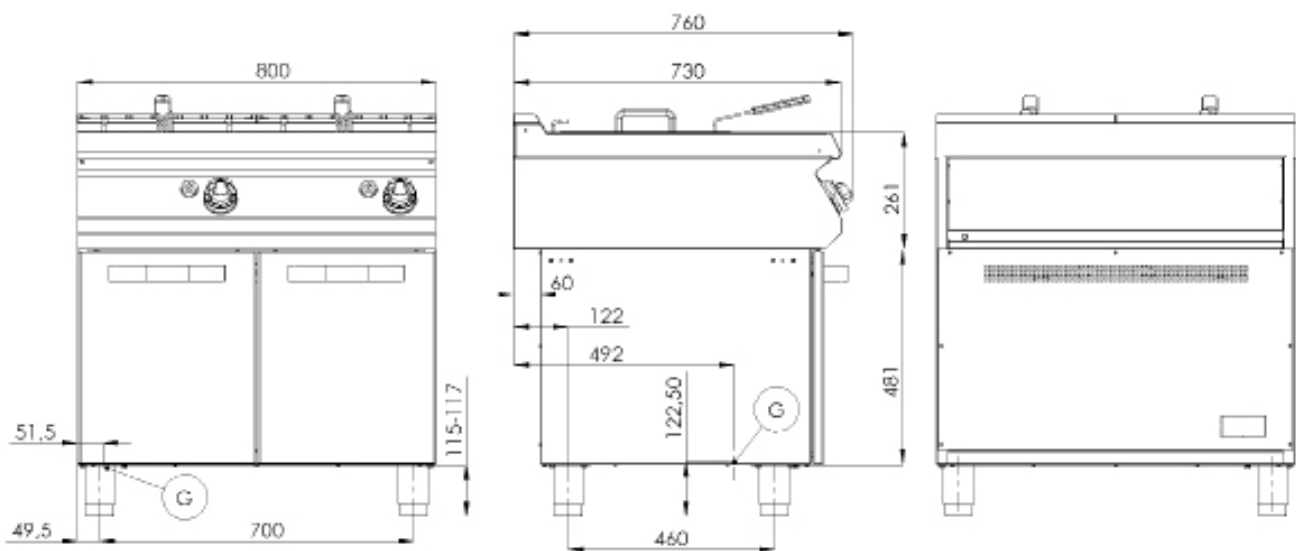
FE-780/15 G



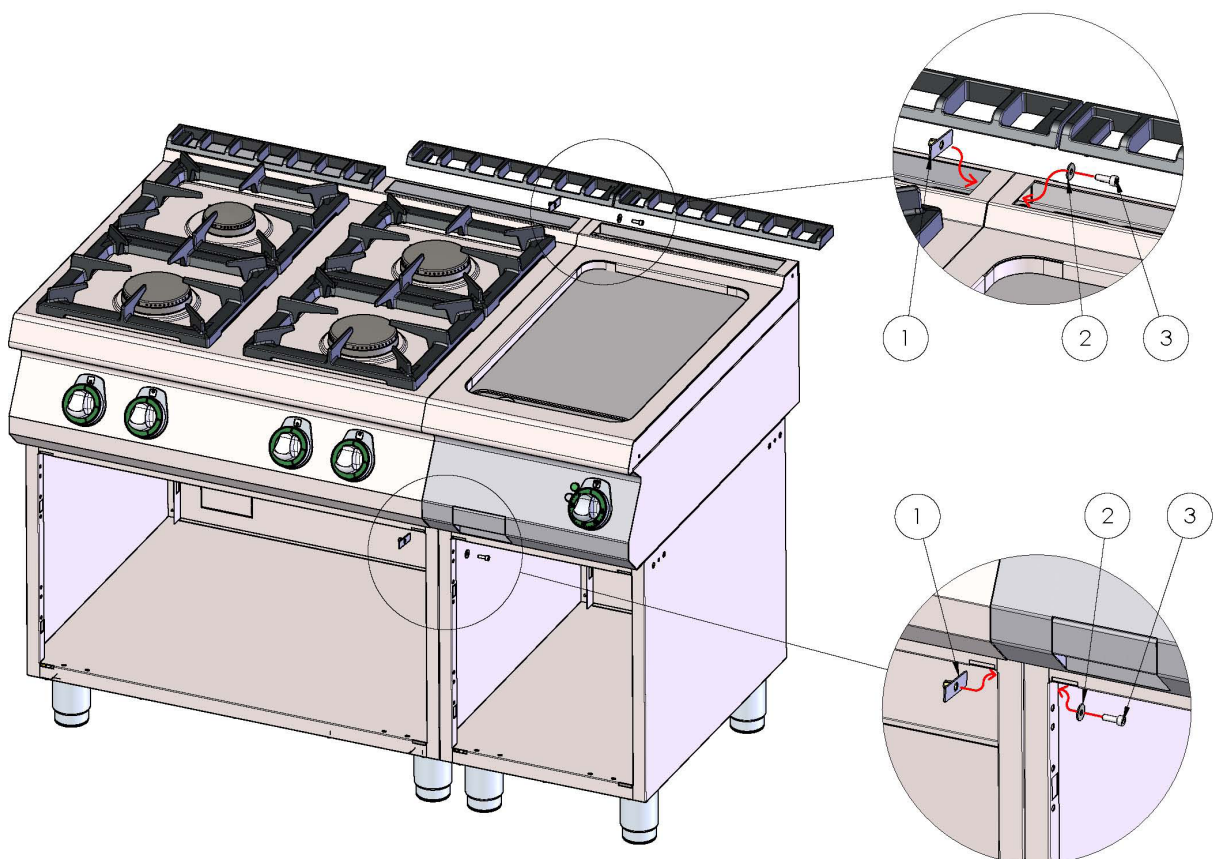
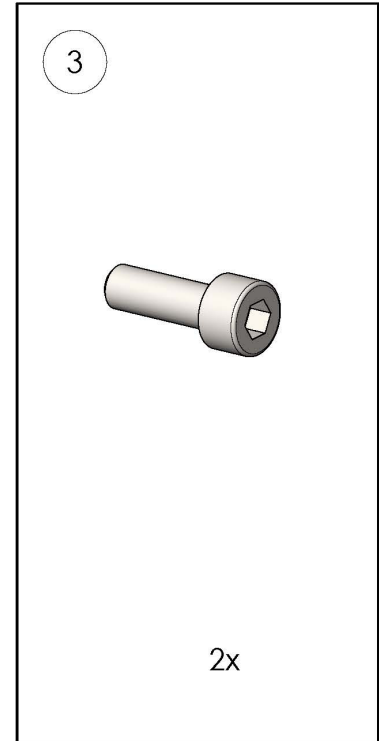
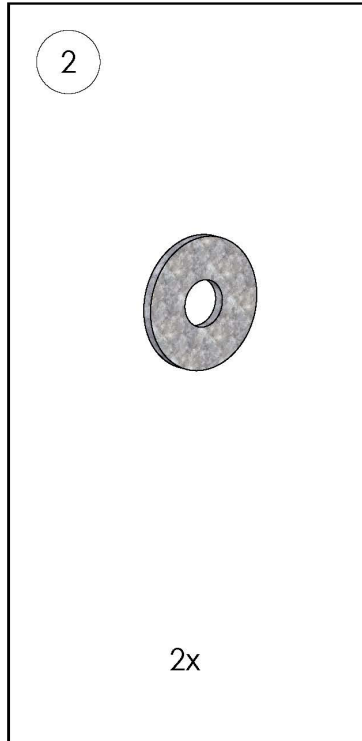
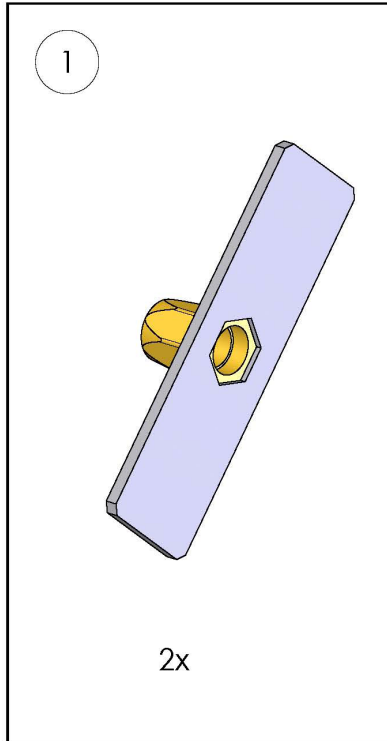
FE-740/17 G



FE-780/17 G



connection modules/ Anschlussmodule/ les modules de connexion



PROHLÁŠENÍ O SOULADU S NORMAMI

Výrobce prohlašuje, že přístroje jsou v souladu s nařízením 2014/30/EU, 2014/35/EU, 1935/2004/ES, 2016/426/EU, zákonem č.22/1997 Sb., č. 258/2000 Sb. o ochraně veřejného zdraví, vyhláškou MZ č. 38/2001 Sb. a příslušnými nařízeními vlády. Instalace musí být uskutečněna s ohledem na platné normy.

Pozor, výrobce se vzdává jakékoli odpovědnosti v případě přímých i nepřímých poškození, které se vztahují ke špatné instalaci, nesprávným zásahem nebo úpravami, nedostatečnou údržbou, nesprávným používáním, a které jsou eventuálně způsobeny jinými příčinami, jež uvádí body uvedené v podmínkách prodeje. Tento spotřebič je určen pouze pro odborné používání a musí být obsluhován kvalifikovanými osobami. Části, které byly po nastavení zajištěny výrobcem nebo pověřeným pracovníkem, nesmí uživatel přestavovat.

TECHNICKÁ DATA

Štítek s technickými údaji je umístěn na boku či zadním panelu přístroje. Před instalací si prostudujte schéma zapojení v příloženém návodu.

MODEL	VÝKON (kW)	ROZMĚR (mm)	OBJEM (l)	HMOTNOST NÁPLNĚ NA VANU (kg)	HMOTNOST ZAŘÍZENÍ (kg)
FE-740-17 G	14	400 x 730 x 895	17	2,5	
FE-780-17 G	2x 14	800 x 730 x 895	2x 17	2x 2,5	

Tabulka trysek

FLAMGAS				
Plyn	tryska ø [0,01mm]	kód	spotřeba	
G30 28..30 mbar	105	401100015	1.104	kg/h
G30 37 mbar	100	401100023	1.104	kg/h
G30 50 mbar	95	401100037	1.104	kg/h
G31 30..37 mbar	105	401100015	1,088	kg/h
G31 37 mbar	100	401100023	1,088	kg/h
G31 50 mbar	95	401100037	1,088	kg/h
G20 20 mbar	160	401100027	1,481	m3/h
G25 25 mbar	170	401100029	1,723	m3/h
G25 20 mbar	175	401100030	1,723	m3/h
G20 25 mbar	150	401100017	1,481	m3/h
G25.1 25 mbar	170	401100029	1,72	m3/h
G2.350 13 mbar				m3/h
G27 20 mbar				m3/h

Části, které byly nastaveny výrobcem, nebo servisním technikem při instalaci, nesmí být obsluhou přenastavovány.

Maximální a snížený jmenovitý tepelný příkon v kW je vztažený k Hi použitého plynu.

V případě připojení výrobku na LPG, musí být plynová láhev v dostatečně větraných místnostech.

Tabulka plynů, pro které je výrobek určen

Provedení	Kategorie výrobků	Připojovací přetlaky [mbar]	Použitý plyn	Země určení
A1	I2E	20	G20	DE, NL, PL, RO
	I2ELL	20, 20	G20, G25	DE
	I2E+	20/25	G20/G25	BE, FR
	I2H	20	G20	AT, BG, CH, CZ, DK, HR, EE, ES, FI, GB, GR, IE, IT, LT, LV, NO, PT, RO, SE, SI, SK, TR, LU, CY, FR
	I3B/P	30	G30	BG, CY, CZ, DK, GB, HR, EE, FI, FR, GR, HU, IT, LT, LV, MT, NL, NO, RO, SE, SI, SK, TR
	I3B/P	50	G30	AT, DE, CZ, CH, FR, SK
	I3P	37	G31	BE, CH, CZ, ES, GB, GR, IE, RO, SI, SK, FR, NL, PT, HR, IT, LT, PL, TR
	I3+	28-30/37	G30/G31	BE, CH, CY, CZ, EE, ES, FR, GB, GR, IE, IT, LT, PT, SI, SK, TR
	II2E3B/P	20, 50	G20, G30	DE, PL, RO
	II2ELL-3B/P	20, 20, 50	G20, G25, G30	DE
	II2E+3+	20/25, 28-30/37	G20/G25, G30/G31	BE, FR
	II2H3B/P	20, 30	G20, G30	BG, CZ, GB, DK, HR, EE, FI, GR, IT, LT, LV, NO, RO, SE, SI, SK, TR, CY, FR
	II2H3B/P	20, 50	G20, G30	AT, CH, CZ, FR, SK
	II2H3P	20, 37	G20, G31	CH, CZ, ES, GB, GR, IE, RO, SI, SK
II2H3+	20, 28-30/37	G20, G30/G31	CH, CY, CZ, EE, ES, GB, GR, IE, IT, LT, PT, SK, SI, TR	

KONTROLA OBALU A ZAŘÍZENÍ

Zařízení opouští naše sklady v řádném obalu, na kterém jsou odpovídající symboly a označení. V obalu se nachází odpovídající návod k obsluze. Jestliže by obal měl vykazovat špatné zacházení, známky poškození, musí se okamžitě reklamovat u přepravce a to sepsáním a podepsáním protokolu o škodě. Na pozdější reklamace nebude brán zřetel.

Důležité upozornění

Tento návod musí být řádně a pozorně přečten, protože obsahuje důležité informace o bezpečnostních prvcích, instalaci a použití.

- Výrobek je určen pouze k používání ve vnitřních prostorech.
- Nikdy spotřebič nepoužívejte, pokud má poškozený napájecí přívod nebo vidlici, pokud nepracuje správně, upadl na zem a poškodil se nebo spadl do vody. V takových případech zanechte spotřebič do odborného servisu k prověření jeho bezpečnosti a správné funkce
- Tato doporučení se vztahují na tento výrobek, nebo produktovou linii.
- Tento návod se musí řádně uschovat pro budoucí použití.
- Zabraňte dětem manipulovat s přístrojem.
- Při prodeji nebo přemístění je nutno se přesvědčit, že obsluha nebo odborný servis se seznámil s ovládáním a instalačními pokyny v přiloženém návodu.
- Výrobek smí obsluhovat pouze obsluha, která se seznámila s tímto návodem k použití.
- Nesmí být spuštěn bez dozoru.
- Doporučuje se kontrola odborným servisem minimálně 1x ročně.
- Při eventuální opravě nebo výměně dílů musí být použity originální náhradní díly.
- Výrobek se nesmí čistit proudem vody nebo tlakovou sprchou.
- Při poruše nebo špatném chodu výrobku je nutné odpojit veškeré přívody (voda, elektřina, plyn) a zavolat autorizovaný servis.
- Výrobce se vzdává jakékoli zodpovědnosti při poruchách způsobenými chybnou instalací, nedodržením shora uvedených doporučení, jiným užíváním apod.
- Přístroj se smí používat pouze k účelu, ke kterému je určený, jiné použití je zakázané a může vést ke vzniku nebezpečí či úrazu
- Musí být zajištěno nejpřísnější dodržování pravidel protipožární ochrany
- Za provozu a krátce po něm jsou některé části spotřebiče horké
- Je zakázáno se během provozu dotýkat jiných částí spotřebiče, než ovládacích prvků k tomu určených

UMÍSTĚNÍ

Ke správné činnosti a umístění spotřebiče je nutné dodržet veškeré předepsané nařízení a zákony dané země.

Rozbalte přístroj a zkontrolujte, zda se přístroj nepoškodil během přepravy. Umístěte přístroj na vodorovnou plochu (maximální nerovnost do 2°). Drobné nerovnosti lze vyrovnat regulovatelnými nožičkami.

Jestliže zařízení bude umístěno tak, že bude v kontaktu se stěnami nábytku, tyto musí odolávat teplotě až 60°C. Instalaci, seřízení, uvedení do provozu musí provést kvalifikovaná osoba, která má k takovýmto úkonům oprávnění a to dle platných norem.

Přístroj může být instalován samostatně nebo v sérii s přístroji naší výroby. Je nutno dodržovat minimální vzdálenost 10 cm od hořlavých materiálů. V tomto případě je nutné zabezpečit odpovídající úpravy, aby byla zabezpečena tepelná izolace hořlavých částí.

Spotřebič se musí instalovat pouze na nehořlavém povrchu nebo u nehořlavé stěny.

Nejmenší požadovaný průtok vzduchu z venkovního prostoru pro spotřebiče v provedení A je v rozmezí 5-20 m³/h, dle typu spotřebiče. Zaleží na instalačních předpisech pro danou zemi určení.

Součásti spotřebiče zajištěné výrobcem, nebo jeho zástupcem nesmí pracovník provádějící instalaci výrobku přestavovat.

Zařízení musí být instalováno ve vhodně větraném prostředí.

INSTALACE

Důležité:

Výrobce neposkytuje žádnou záruku na závady, vzniklé v důsledku nesprávného používání, nedodržování instrukcí obsažených v příloženém návodu k použití a špatným zacházením se spotřebiči.

Instalaci, úpravy a opravy spotřebičů pro velkokuchyně, tak jako i jejich demontáž z důvodu možného poškození přívodu plynu, mohou být prováděny pouze na základě smlouvy o údržbě, tato smlouva může být uzavřena s autorizovaným prodejcem, přičemž musí být dodržovány technické předpisy a normy a předpisy týkající se instalace, elektrického přívodu, plynové přípojky a bezpečnosti práce.

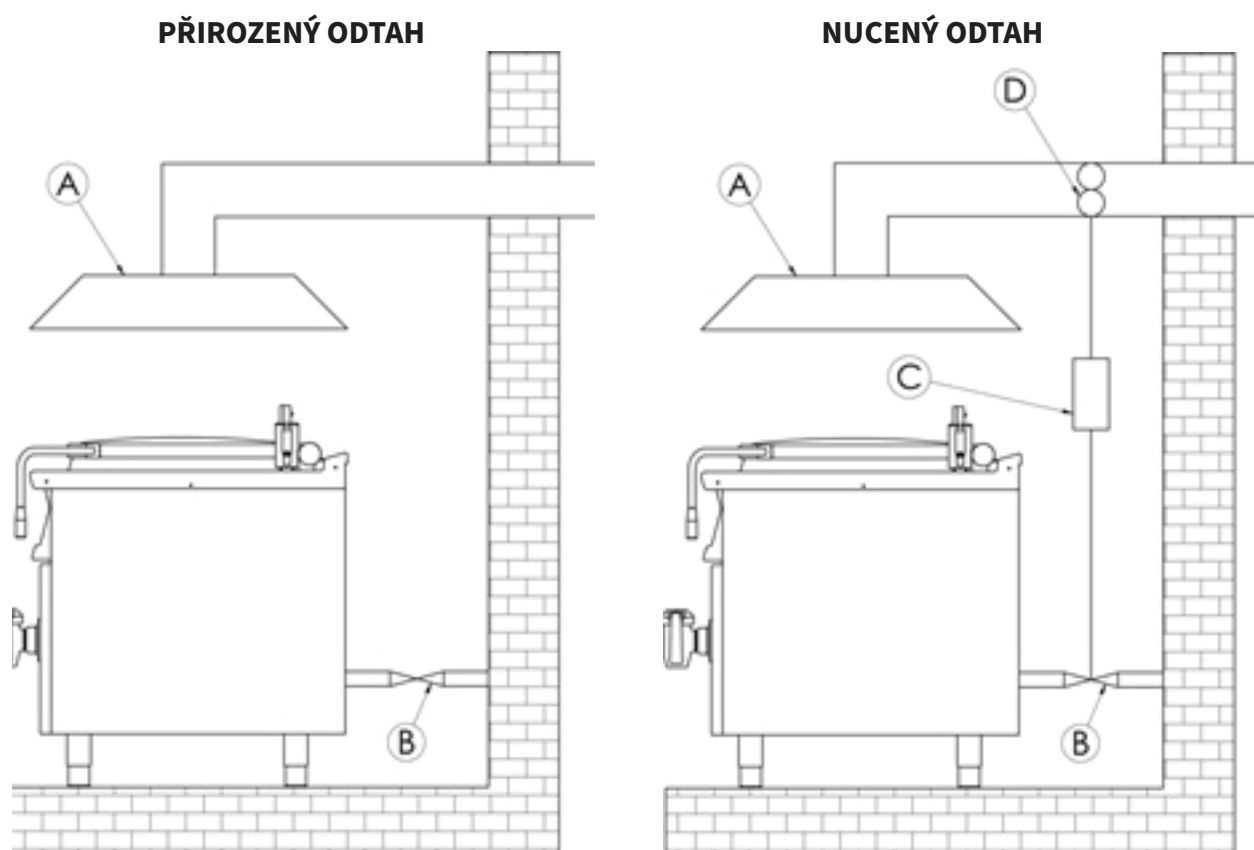
Technické instrukce pro instalaci a seřízení, k použití POUZE pro specializované techniky.

Instrukce, které následují, se obrací k technikovi kvalifikovanému pro instalaci, aby provedl všechny operace způsobem co nejkorektnějším a podle platných norem.

Jakákoli činnost spojená s regulací apod. musí být vykonána pouze se zařízením odpojeným ze sítě. Je - li nutno udržovat spotřebič pod napětím je nutno dbát nejvyšší opatrnosti.

Typ spotřebiče pro provedení odtahu je deklarován na typovém štítku, jedná se o spotřebiče typu A1.

PROVEDENÍ ODTAHU PLYNU



Vyústění digestoře je do samostatného komínového tělesa (A). Odtah spalin zabezpečuje přirozený tah komínu.

Vyústění digestoře je bez přirozeného odtahu. Odtah spalin je zabezpečován pomocí ventilátoru (D), (nucený odtah). V tomto případě je nezbytné zabezpečit propojení s přívodem plynu (B) pro vypnutí přívodu plynu při výpadku.

BEZPEČNOSTNÍ OPATŘENÍ Z HLEDISKA POŽÁRNÍ OCHRANY PODLE

ČSN 061008 ČL. 21

- obsluhu spotřebiče smí provádět pouze dospělé osoby
- spotřebič smí být bezpečně používán v souladu s normami a zákony dané země.
- spotřebič je nutné umístit tak, aby stál nebo visel pevně na nehořlavém podkladu

Na spotřebič a do vzdálenosti menší než bezpečná vzdálenost od něho nesmějí být kladeny předměty z hořlavých hmot (nejmenší vzdálenost spotřebiče od hořlavých hmot je 10 cm).

Tabulka: stupeň hořlavosti stavební hmoty zařazené do st. hořlavosti hmot a výrobků

Stupeň hořlavosti	Stavební hmoty
A - nehořlavé	žula, pískovec, betony, cihly, keramické obkladačky, omítky
B - nesehadno hořlavé	akumin, heraklit, lihnos, itaver
C1 - těžce hořlavé	dřevo, listnaté, překližky sirkoklit, tvrzený papír, umakart
C2 - středně hořlavé	dřevotřískové desky, solodur, korkové desky, pryž, podlahoviny
C3 - lehce hořlavé	dřevovláknité desky, polystyrén, polyureten, PVC

• informace o stupni hořlavosti běžných stavebních hmot uvádí tabulka výše. Spotřebiče musí být instalovány bezpečným způsobem. Při instalaci musí být dále respektovány příslušné projektové, bezpečnostní a hygienické předpisy a zákony dané země.

TRUBKA PRO PŘIPOJENÍ PLYNU

Plyn musí být připojen trubicí o maximální délce 1,5 metru z pozinkované oceli, mědi nebo ohebnou ocelovou hadicí a to v souladu s platnými normami dané země. Každý přístroj musí mít uzavíratelný kohout u přívodu, aby se dal snadno zastavit přívod plynu. Po instalaci přístroje musíme zkontrolovat případné úniky plynu. Nikdy nekontrolujte úniky otevřeným ohněm. Pro kontrolu úniku plynu je nutno použít materiály, které nezpůsobují korozi např. roztok mýdlové vody. Přístroje prošly důkladnou kontrolou u výrobce, údaje o druhu plynu, tlaku a typu přístroje jsou uvedeny na štítku s charakteristikami. Lahve na LPG musí být vybaveny regulátorem, který odpovídá přetlakům plynu na výrobním štítku zařízení v souladu s platnou legislativou dané země určení.

KONTROLA NASTAVENÍ PŘÍSTROJE NA DRUH PLYNU

Naše spotřebiče jsou certifikovány a regulovány pro zemní plyn (viz. typový štítek). Přestavba nebo přizpůsobení na jiný typ plynu musí být provedena pouze oprávněným technikem. Trysky na různé typy plynu jsou v sáčku, přibaleném ke sporáku a jsou označeny v setinách mm.

Při výměně trysky hlavního hořáku je třeba postupovat následujícím způsobem:

- 1) otevřete dvířka podstavby
- 2) Dle obrázku 2 vyšroubujeme trysku z hlavního hořáku a nahradíme tryskami dle tabulky „Technická data hořáků“

Při výměně trysky pilotního hořáku je třeba postupovat následujícím způsobem:

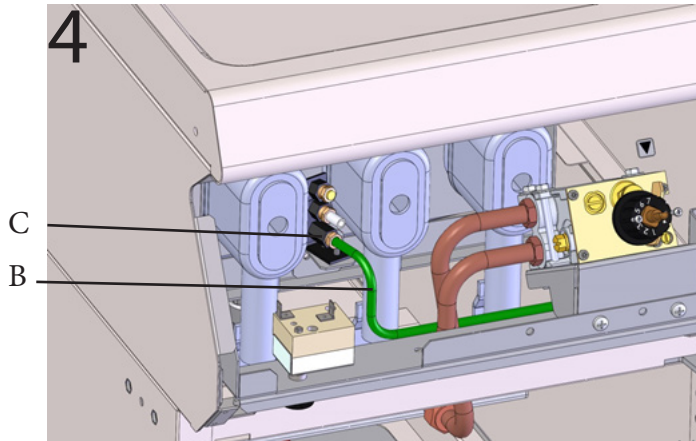
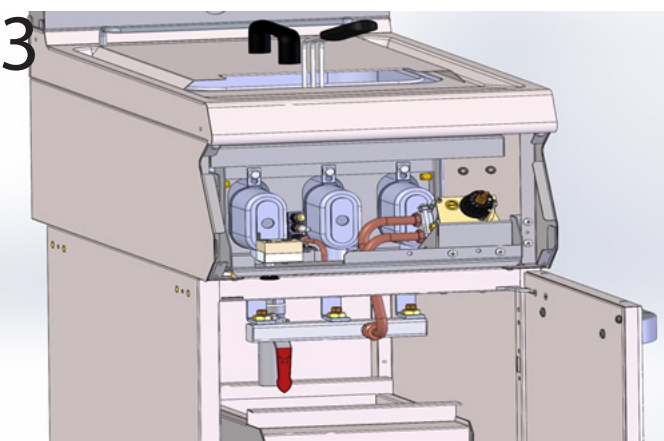
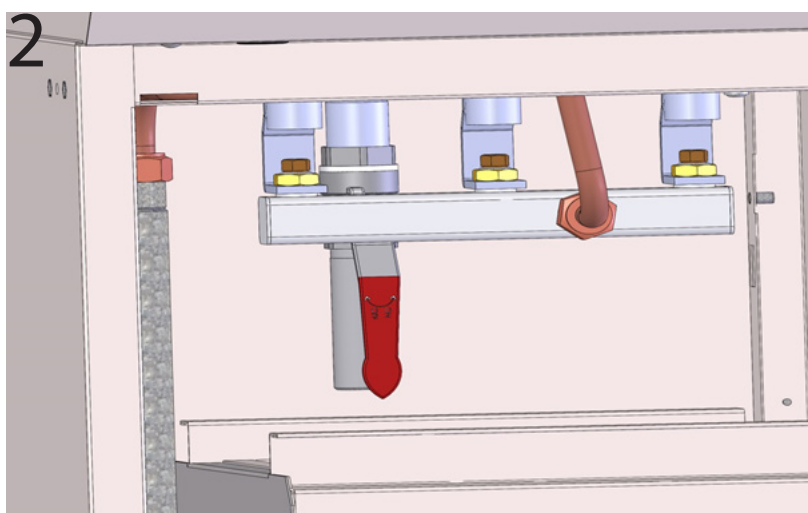
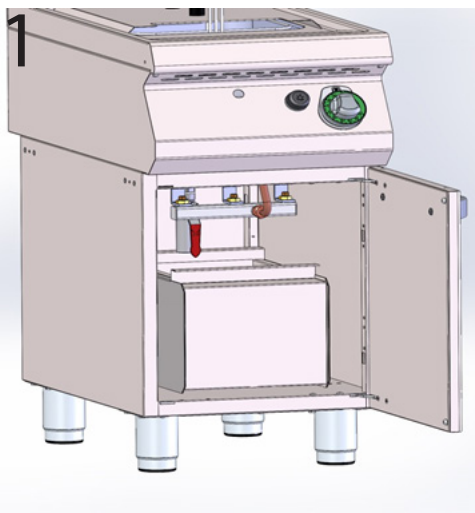
- a- demontovat čelní panel (obr. 3)
- b- demontovat měděnou trubku z držáku trysky (obr. 4)
- c- demontovat trysku a nahradit za požadovanou (obr. 4)
- d- vše namontovat na své místo

Pilotní hořák seřídíme tak, že povolíme pojistnou matici klíčem obr. 4, poté vyšroubujeme trysku pilotního hořáku s pružinkou a nahradíme tryskou pro příslušný plyn dle tabulky. Utáhneme krytku trysky klíčem.

Důležité:

Poté, co bylo provedeno seřízení spotřebiče na jiný typ plynu, je nutné změnu plynu vyznačit na štítku spotřebiče a provést následující kroky:

- Zkontrolovat případné úniky plynu
- Zkontrolovat zažehnutí a plamen hlavního hořáku
- Zkontrolovat plamen hlavního hořáku na min. výkon



NÁVOD K POUŽITÍ

Pozor! Než-li začnete přístroj používat, je nutné z celého povrchu sejmout ochranné fólie, a pak jej dobře omýt vodou se saponátem na nádobí, a poté otřít vlhkým hadrem.

Nikdy nenechte přístroj v chodu bez dozoru.

Nikdy nezapínejte přístroj bez oleje nebo pokud je hladina oleje pod ryskou minima existuje nebezpečí požáru. Pokud je olej znečištěn nebo jej používáte delší dobu hrozí překypění oleje.

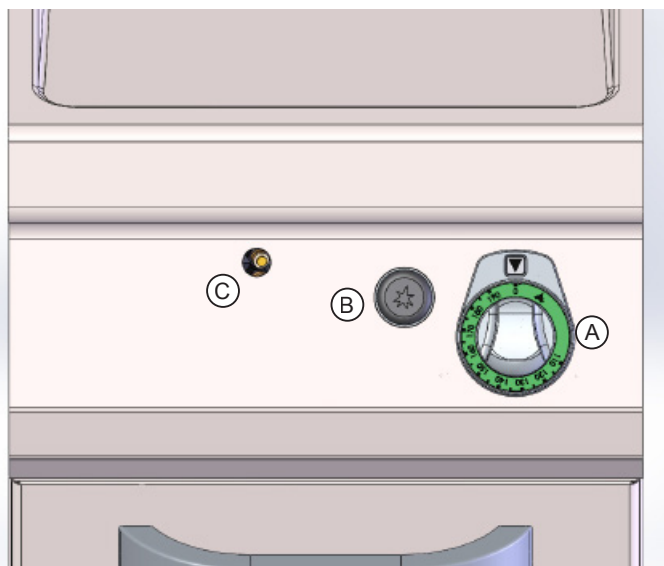
Pozor! Než-li začnete přístroj používat, je nutné z celého povrchu sejmout ochranné fólie, a pak jej dobře omýt vodou se saponátem na nádobí, a poté otřít vlhkým hadrem.

Zapálení hlavního hořáku a regulace teploty: (obr. 2)

Dejte reg.knoflík kohoutu (A) do polohy “ zapálení hlavního hořáku ” a poté jej stiskněte a držte jej, několikrát stiskněte knoflík piezo zapalovače (B) dokud se naezapálí hlavní hořák. Plamen je viditelný skrz otvor ve předním panelu (C). Po zapálení hořáku držte knoflík číslo (A) stisknutý ještě několik sekund, než se zahřeje termopojistka, poté knoflík uvolněte. Pokud plamen zhasne, celý postup opakujte.

Vypnutí celého přístroje (obr. 2)

Stačí otočit knoflíkem (B) do polohy “ 0 “.



- Ⓐ Ovládací knoflík
- Ⓑ Piezozapalovač
- Ⓒ Průzor kontroly plamene

obr.2

VYPUŠTĚNÍ VANY

Vanu vylévejte, pokud je olej chladný a přístroj je odpojen od elektrického proudu. Uživatel se musí vybavit vhodnou nádobou na vypouštění oleje z vany. Tato nádoba musí být z tepelně odolného materiálu a musí být postavena tak, že olej nebude stříkat a tím nebude způsobovat nebezpečí. Nasadte odtokovou trubici odstraňte pojistku proti nechtěnému otevření směrem vzhůru a páčku posuňte do polohy s označením otevřeného kohoutu. Vanu vypouštějte, pokud je olej chladný. U některých druhů fritéz se vypouští olej do nádoby umístěné v podestavbě. Otočte pákou do polohy s označením otevřeného kohoutu. Vanu vypouštějte, pokud je olej chladný.

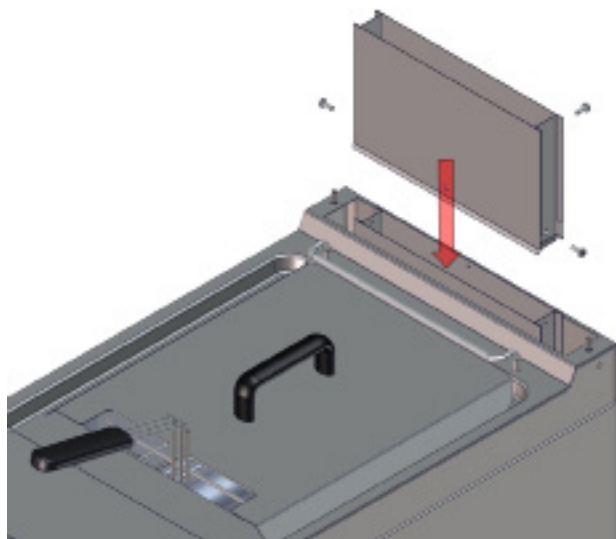
Poznámky a doporučení

Neustále kontrolujte hladinu oleje, nikdy nepoužívejte přístroj bez oleje. Používejte přístroj pouze pod dohledem. Dolíváme olej maximálně po rysku GN, která označuje maximální množství. K překypění fritézy může dojít, pokud olej v gastronádobě obsahuje vodu.

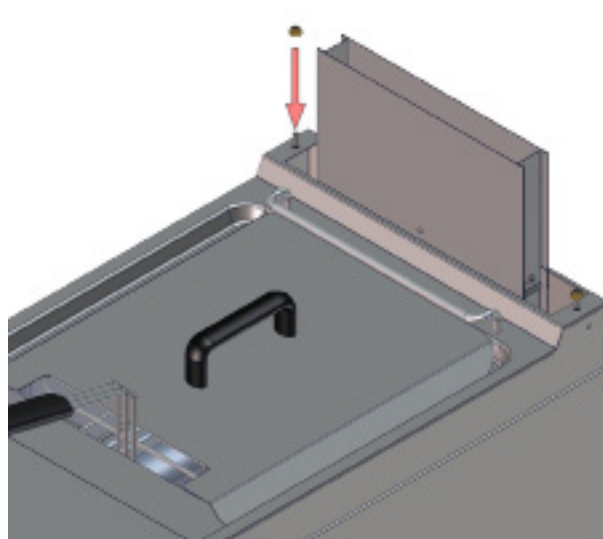
POSTUP INSTALACE KOMÍNKU FRITÉZE

**Je zakázáno používat fritézu bez namontovaného komínku na odvod spalin.
Hrozí riziko výbuchu a poranění osob!**

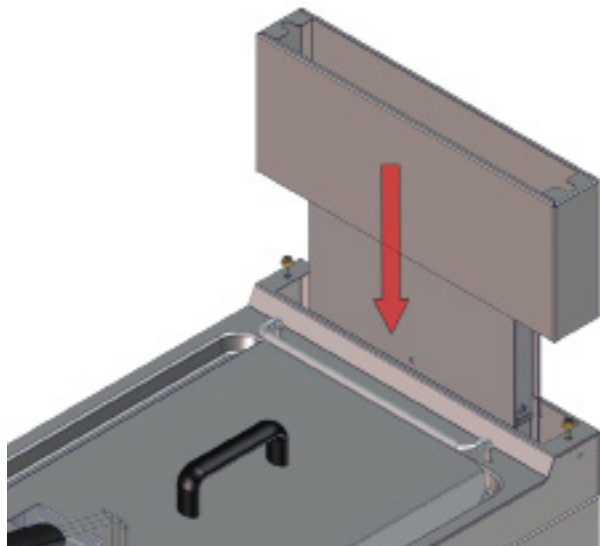
1- Nasadit prodloužení komínku a upevnit pomocí samozřezných šroubů



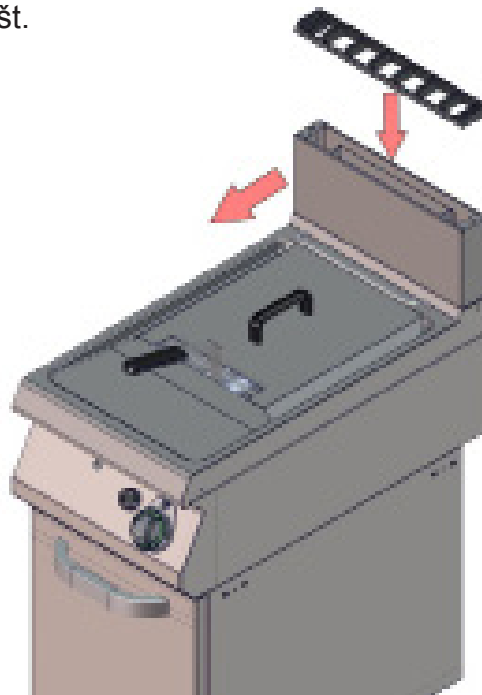
2 - Na připravené šrouby nasadte matice, tyto nedotahovat



3 - Na připravené šrouby s maticemi nasadte komínek



4 - Nasazený komínek zajistěte posunutím vpřed a dotáhněte matice. Navrch nasadte rošt.



ČIŠTENÍ A ÚDRŽBA

POZOR! Zařízení se nesmí čistit přímou nebo tlakovou vodou. Čistěte zařízení denně, odpojené od energie a vychladlé. Denní údržba prodlužuje životnost a účinnost zařízení. Před započatím čištění se přesvědčte, jestli jste odpojili zařízení od elektrického proudu. Vždy vypněte hlavní přívod k zařízení. Nerezové části omyjte vlhkým hadrem se saponátem bez hrubých částecek, poté vše otřete do sucha, zejména okolí regulačního knoflíku, hlavního vypínače, kabelové průchodky, přívodní kabel, mikrospínače a dosedací lišty. Nepoužívejte abrasivní nebo korosivní čisticí prostředky. Čištění topných těles - vytáhněte box s topnými tělesy. Topná tělesa čistěte pouze vlhkým hadrem.

JAK POSTUPOVAT V PŘÍPADĚ PORUCHY

Vypněte elektrický přívod a zavolejte servisní organizaci prodejce.

UPOZORNĚNÍ

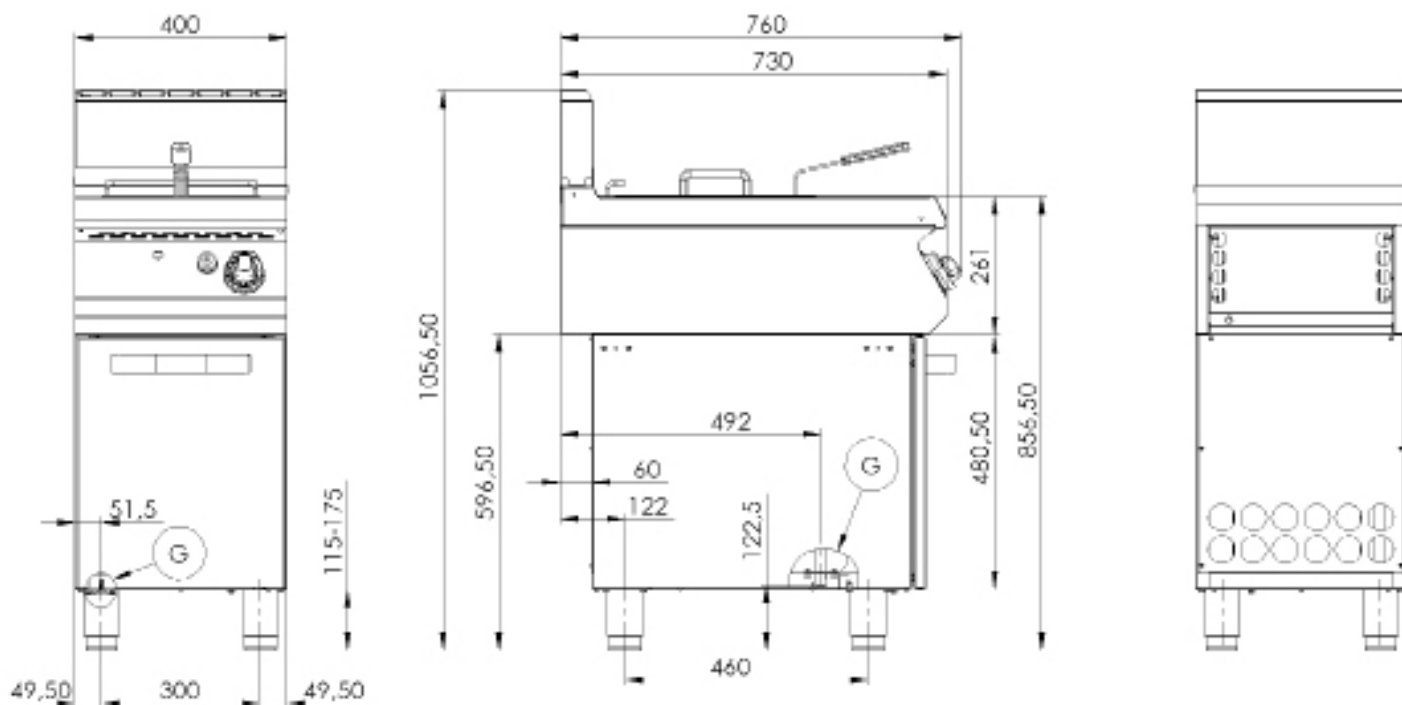
Záruka se nevztahuje na všechny spotřební díly podléhající běžnému opotřebení (gumová těsnění, žárovky, skleněné a plastové díly atd.) a díly vyžadující pravidelné seřízení (např. termostaty). Záruka se též nevztahuje na zařízení pokud není provedena instalace v souladu s návodem – oprávněným pracovníkem dle odpovídajících norem a pokud bylo se zařízením neodborně manipulováno (zásahy do vnitřního zařízení) nebo bylo obsluhováno nezaškoleným personálem a v rozporu s návodem k použití, dále se záruka nevztahuje na poškození přírodními vlivy či jiným vnějším zásahem a při nedodržování zásad pravidelného čištění a údržby.

ZPŮSOB VYUŽITÍ A LIKVIDACE ODPADŮ:

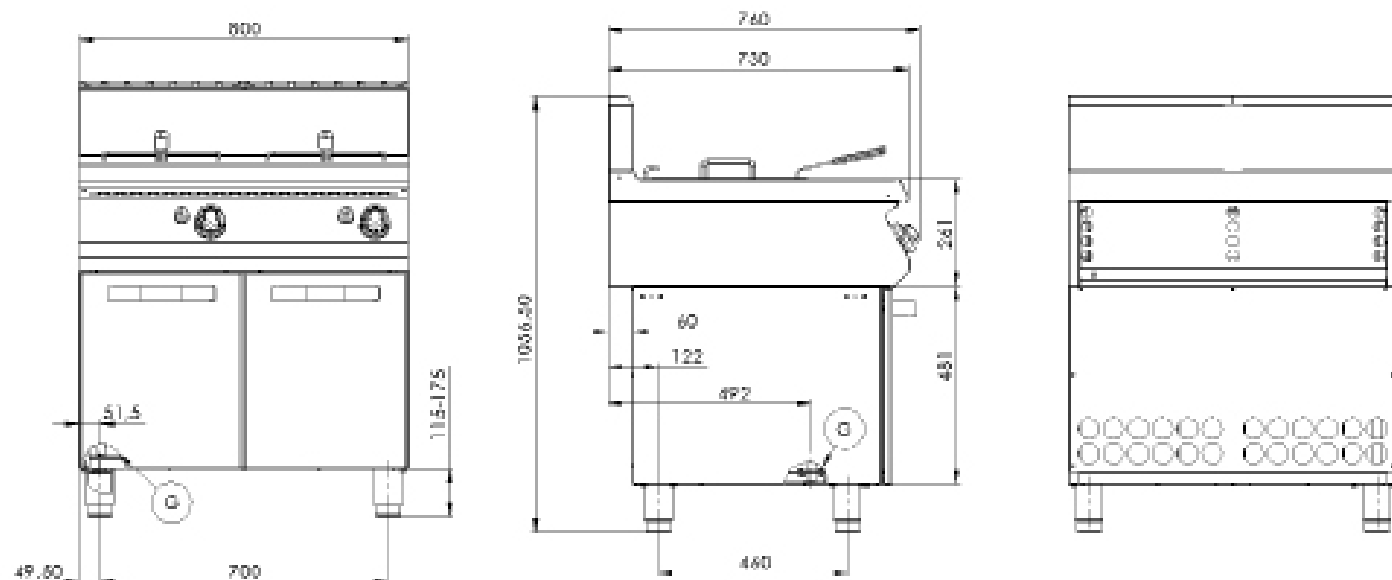
Obal zařízení prodejte sběrným surovinám, přebalové folie dejte do sběrných kontejnerů na plasty. Zařízení po ukončení životnosti odevzdejte do sběru, dle předpisů a o nakládání s odpadem a nebezpečným odpadem.

ROZMĚROVÉ OBRÁZKY RYSUNEK WYMIAROWY

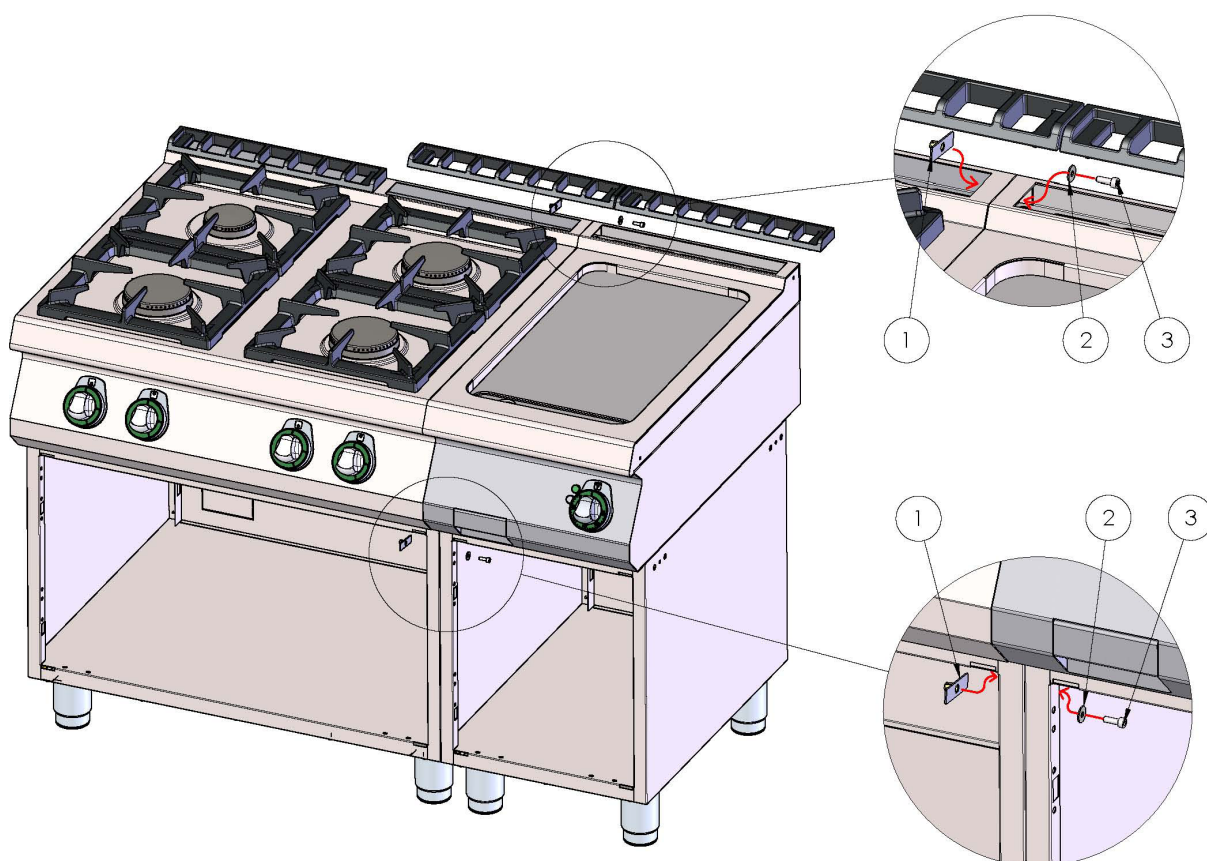
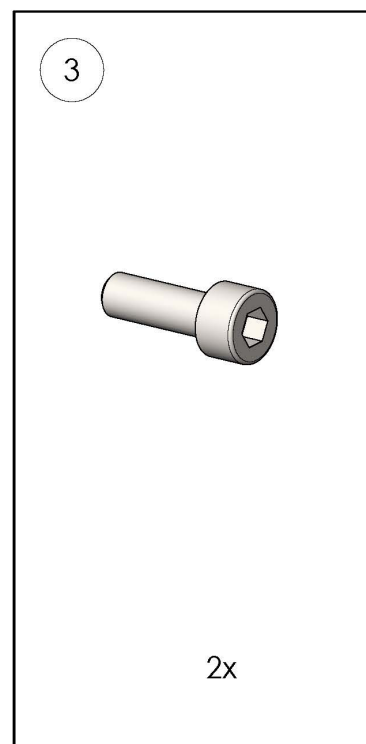
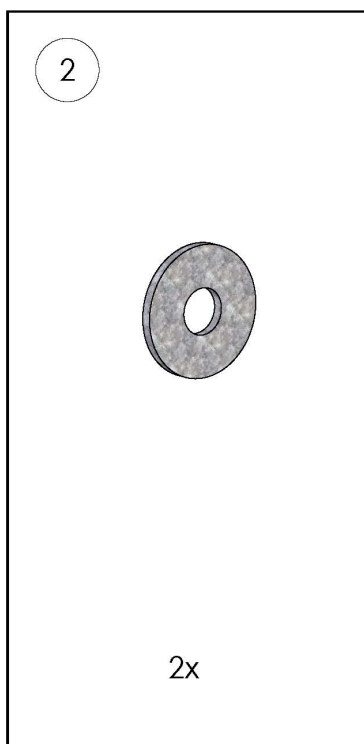
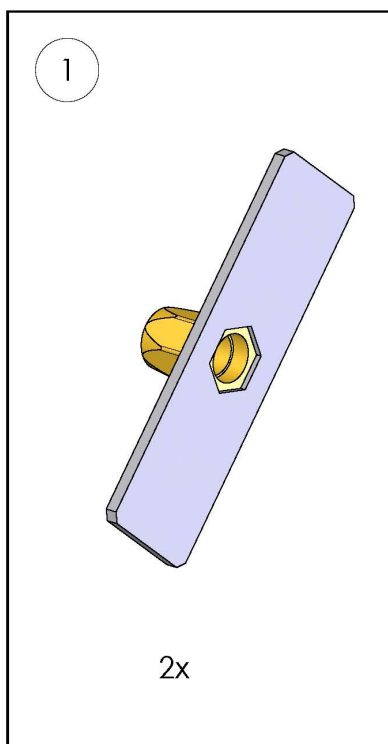
FE - 740/15 G



FE - 780/15 G



SPOJENÍ MODULŮ



IZJAVA O SAGLASNOSTI SA NORMAMA

Proizvodjač proglašava da uređaji ispunjavaju norme evropskog parlamenta i savjeta 2009/142/ES. Instalacija mora biti provedena prema važećim normama.

Pozor, proizvođač ne snosi odgovornost u slučaju direktnog i/ili indirektnog oštećenja, a koje može biti uzrokovano neodgovornom ili neprofesionalnom instalacijom, neispravnom opravom i/ili korištenjem, nedovoljnim održavanjem i čišćenjem, te ostalim faktorima koji su uvedeni u uputstvu, odnosno uslovima prodaje. Ovaj uređaj je namijenjen samo k profesionalnom korišćenju i upotrebi, tako da mora biti servisiran samo kvalifikovanim osobljem. Dijelovi koji su bili instalirani od strane proizvođača ili njim povjerene osobe, ne smije korisnik mijenjati, niti opravljati.

TEHNIČKI PODACI

MODEL	SANGA (kW)	RAZMJER (mm)	VOLUME (l)
FE - 740-15 G	12	400 x 730 x 900	15
FE - 780-15 G	24	800 x 730 x 900	2 x 15
FE - 740-17 G	14	400 x 730 x 900	17
FE - 780-17 G	28	800 x 730 x 900	2 x 17

KONTROLA PAKOVANJA I APARATA

Uredjaj napušta naše skladište uredno zapakovan, na pakovanju se nalaze simboli i opis tipa aparata. U pakovanju ćete naći uputstvo za upotrebu. Ukoliko bi se na pakovanju vidjelo da je s njim bilo loše manipulirano, da je pakovanje oštećeno, morate to odmah riješiti sa prijevoznikom, a to tako što ćete s njim napisati i obostrano potpisati protokol o šteti. Kasnije reklamacije nećemo uzimati u obzir.



Važno upozorenje

Ovo uputstvo mora biti pažljivo pročitano, budući da sadrži bitne informacije o sigurnosti, instalaciji i korištenju.

-Proizvod je određen samo za korištenje u unutarnjem prostoru.

Proizvod nemojte nikad koristiti ukoliko mu je oštećen dovod napajanja ili utikač, ukoliko ne radi ispravno, ukoliko je pao na tlo i time se ošteti ili je pao u vodu. U takvim situacijama odnesite poroizvod u stručni servis na provjeru njegove sigurnosti i ispravnog funkcioniranja.

- Ove preporuke se odnose na ovaj proizvod ili liniju proizvoda.
- Ovo uputstvo se treba sačuvati i za buduće korištenje.
- Zabranite djeci da koriste uređaj.
- Prilikom preprodaje ili izmjene pozicije uređaja, neophodno je upoznati servis i osoblje sa priloženim uputstvom za upotrebu i instalaciju.
- Uredjaj smije koristiti samo posluaga koja je upoznata sa uputstvom.
- Nesmijete ostavljati uređaj bez nadzora.
- Preporučuje se kontrola autorizovanim servisom minimalno 2x godišnje.
- U slučaju oprave ili izmjene rezervnog dijela, koristite samo originalne dijelove.
- Uredjaj se ne smije čistiti vodom pod pritiskom (tuš ili crijevo sa vodom).
- U slučaju kvara, isključite aparat iz struje, prekinite dovod vode i/ili plina, a potom se obratite na autorizovani servis.
- Proizodjač ne snosi odgovornost u slučaju pogrešne instalacije, nedodržavanjem gore navedenih preporuka, odnosno neodgovornim korištenjem i sl..
- Uredjaj smije biti korišten samo k tomu čemu je namijenjen, drugi način korištenja može uzrokovati oštećenje aparata ili, čak, tjelesne povrede.
- Moramo najstrožije dodržavati pravila protivpožarne zaštite.

POZICIJA

Za ispravan rad i položaj aparata neophodno je dodržavati smjernice i norme propisane u uputstvu.

Raspakujte uređaj i prekontrolirajte da se nije slučajno ošteti tijekom transporta. Smjestite uređaj na vodoravnu podlogu (maksimalna neravnina do 2°). Male neravnine možemo regulisati nožicama.

Ako je aparat smješten tako da će biti u neposrednoj blizini namještaja, taj mora biti otporan na toplotu od 60°C. Instalaciju, podešavanje i početak korištenja mora biti proveden kvalifikovanom osobom, koja je k tomu povjerena od strane autorizovanog servisa.

Uredjaj može biti instaliran samostalno ili u seriji sa ostalim našim proizvodima. Obavezno dodržavajte minimalnu udaljenost 10 cm od lako zapaljivih predmeta. U takvom slučaju, moraju biti provedene određene izmjene kako bi izolirale zapaljive materijale.

Uredjaj smije biti instaliran samo na nezapaljivoj površini i pored vatrostalnog zida.

INSTALACIJE

Važno:

Proizvodjač ne daje nikakvu garanciju na greške uzrokovane neispravnim korištenjem, nepridržavanjem danih instrukcija ili neodgovornim korištenjem proizvoda.

Instalaciju, izmjene i oprave, a jednako tako i demontažu, ukoliko je aparat oštećen, može provesti samo odgovorna osoba, a to povjerena autorizovanim servisom. I to na osnovu ugovora o prodaji i održavanju koji može biti sklopljen samo sa oficijalnim predstavnikom proizvođača, a mora sadržavati sve tehničke propise i norme koje se tiču instalacije, dovoda struje i plina, te bezbjednosti rada.

Tehničke instrukcije za instalaciju i podešavanje služe samo SPECIJALIZIRANIM serviserima.

Instrukcije, koje slijede tiču se tehničara kvalifikovanih za instalaciju uređaja, a da bi to učinili na što korektniji i odgovorniji način, a to prema zadanim normama.

Bilo koja djelatnost vezana za regulaciju i sl., mora biti provedena samo kada je aparat isključen i prekinut dovod plina i/ili vode. Dok aparat ne isključite i odpojite, budite maksimalno oprezni i pažljivi prilikom rukovanja.

Kakav trebate koristiti odvod dima, možete vidjeti na naljepnici sa deklaracijom tipa aparata, radi se o aparatima tipa A1.

BEZBJEDNOSNE MJERE PROTIVPOŽARNE ZAŠTITE

- Koristiti uređaj smiju samo odrasle osobe.
- Uređaj smije biti korišten samo u tome namijenjenom prostoru.
- Uređaj postavite tako da stoji na vatrostalnoj podlozi.

Na uređaj i u njegovoj blizini ne smiju biti postavljeni lako zapaljivi predmeti (najmanja dozvoljena udaljenost između aparata i zapaljivih materijala je 10 cm).

- Informacije o stupnju zapaljivosti uobičajenih građevinskih materijala možete vidjeti na tabeli. Uređaj mora biti instaliran na bezbjednom mjestu. Prilikom instalacije moraju biti respektovani priloženi projektni materijali, sigurnosni i higijenski propisi.

Stupanj zapaljivosti	Gradjevinski materijal
A - nezapaljive	granit, pijesak, beton, cigle, keramičke pločice, žbuka
B - teško zapaljive	akumin, heraklit, lihnos, itaver
C1 - veoma zapaljive	drvo, sirkoklit, tvrdi papir, sadrokarton
C2 - srednje zapaljive	iverica, solodur, pluto, guma, linoleum
C3 - lehce hořlavé	dřevovláknité desky, polystyrén, polyureten, PVC

Uredjaji moraju biti instalirani na bezbijedan način. Prilikom instalacije uredjaja moraju biti respektovani predloženi projektni materijali, bezbijednosni i higijenski propisi.

SPAJANJE PRIVODA PLINA DO APARATA

Kod spajanje uredjaja sa plinom trebamo koristiti čeličnu ili bakarnu cijev, a to prema zakonima dane države. Ta mora biti redovno kontrolisana i izmijenjana ukoliko je to potrebno. Svaki uredjaj mora imati odgovarajući zatvarač i havarijni zatvarač. Havarijni zatvarač mora biti lako dostupan i na dohvata aparata. Kada završimo instalaciju, moramo prekontrolisati propusnost plina. Da bi to učinili, možemo koristiti rastvor vodu i sapuna koji će nam otkriti eventualno „curenje“ plina.

Ne koristite materijale koji mogu uzrokovati koroziju! Svi naši uredjaji su pažljivo prekontrolisani. Tip plina, tlak i označene kategorije se nalaze na naljepnici proizvoda.

Spoj na kapalni plin:

Tlak za spajanje kapalnog plina mora biti 28 ili 30 mbar za propan/butan i 37 mbar za propan. Ali, u svakom slučaju, prekontrolišite naljepnicu, izmjerite pritisak i prekontrolišite parametre instalirane mlaznice, uporedite je sa parametrima koji su propisani proizvođačem. Ukoliko je pritisak niži od 25 mbar ili viši od 37 mbar **NE SMIJE BITI UREDJAJ PRIKLJUČEN NA PLIN!!!**

Spoj na zemni plin:

Tlak za spoj na metan mora biti 18 ili 20 mbar. Obavezno prekontrolišite naljepnicu, izmjerite pritisak i prekontrolišite parametre mlaznice, uporedite ih sa onim koji su propisani proizvođačem. Ukoliko je pritisak niži od 15 mbar ili viši od 22,5 mbar **NE SMIJE BITI UREDJAJ PRIKLJUČEN NA PLIN!!!**

KONTROLA PODEŠAVANJA APARATA NA ODREĐENI TIP PLINA

Prije svega prekontrolišite da li je uređaj uopšte predviđen za taj tip plina koji koristite. Na naljepnici svakog aparata možemo naći za koji tip plina je predviđen.

UPUTE ZA IZMJENU TIPA PLINA

Uređaji su podešeni i kontrolisani na zemnom plinu (vidi naljepnicu aparata). Izmjena na drugi tip plina mora biti provedena kvalifikovanom osobom, mlaznice predviđene za drugi tip plina se nalaze u paketu sa uputstvom.

IZMJENA MLAZNICE GLAVNOG GORIONIKA (sl. 3 i 4)

Tijekom izmjene mlaznice glavnog plamenika treba postupati na slijedeći način:

- 1) uklonite kontrolne tipke sa prednje ploče
- 2) demontirajte prednju ploču
- 3) Prema slici 2 izvadimo mlaznicu sa glavnog plamenika te zamjenimo mlaznicama prema tablici „**TEHNIČKI PODACI**“

Plamenik pilot podesimo tako da ključem popustimo sigurnosnu maticu, nakon toga uklonimo mlaznicu plamenika pilot (sl.3, pr.1) s oprugom (sl.3, pr.2,3) te zamjenimo mlaznicom za pripadajući plin prema tablici. Poklopac mlaznice stegnemo pomoću ključa te podesimo režim „ekonomično“, vidi tekst dolje.

Važno:

Prilikom izmjene tipa plina, izmijenite taj podatak na naljepnici aparata. Kontrola rada aparata:

- prekontrolišite da li negdje ne dolazi do ispuštanja plina
- prekontrolišite paljenje i gorenje glavnog gorionika
- prekontrolišite plamen gorionika na min. snazi (štednja)
- isprobajte da li plamen dodiruje termočlanak i da li je plav
- korisniku se preporučuje da prilikom korištenja aparata postupa prema uputama.

Pozor! Prije nego što počnete aparat koristiti, obavezno sa njega skinite zaštitnu foliju, potom ga operite vodom i deterdžentom za sudje, te obrišite vlažnom krpom. Ukoliko se desi da roštilj počne dimiti prilikom prvog paljenja, pustite da ploča odgori barem jedan sat, dok se dim ne izgubi.

Paljenje glavnog gorionika i regulacija toplote (sl. 1)

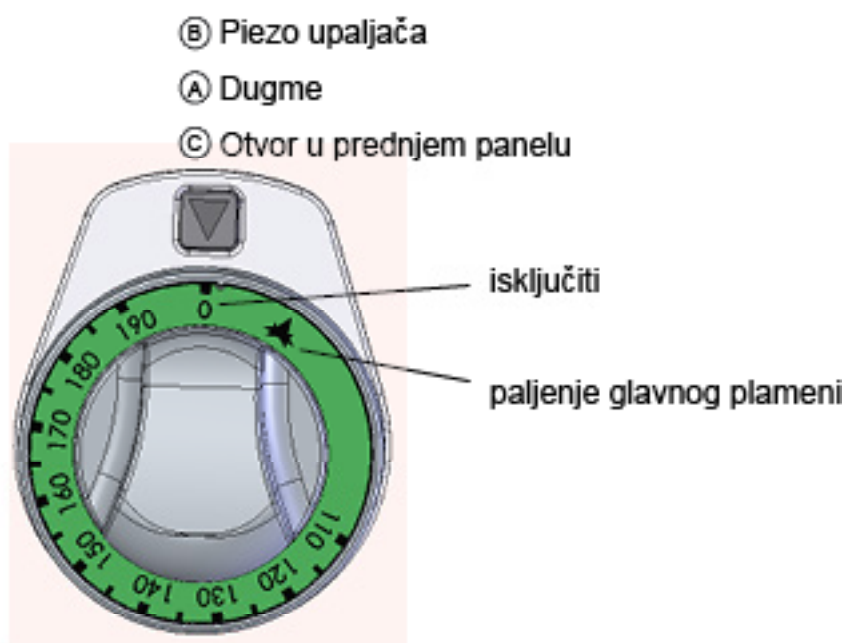
Postavite dugme (A) u poziciju „paljenje glavnog gorionika“, pritisnite i pridržite, nekoliko puta stisnite dugme piezo upaljača (B), dok se ne zapali gl. gorionik. Plamen možemo vidjeti kroz otvor u prednjem panelu (C). Kada zapalite gorionik, držite dugme (A) pritisnuto još nekoliko sekundi, dok se ne zagrije termoosigurač, potom dugme pustite. Ako se plamen ugasi cijeli proces ponovite.

Smanjena jačina

Okrenete li dugme (A) u položaj „štednja“, gorionik će raditi na smanjenoj jačini.

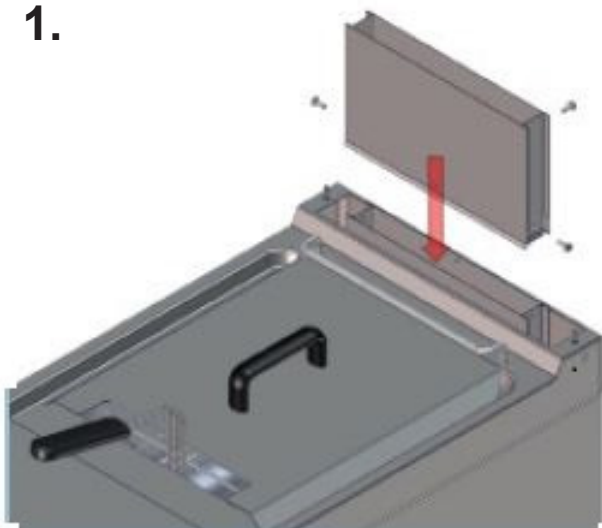
Isključivanje aparata

Dovoljno je da dugme (A) postavite u položaj „0“

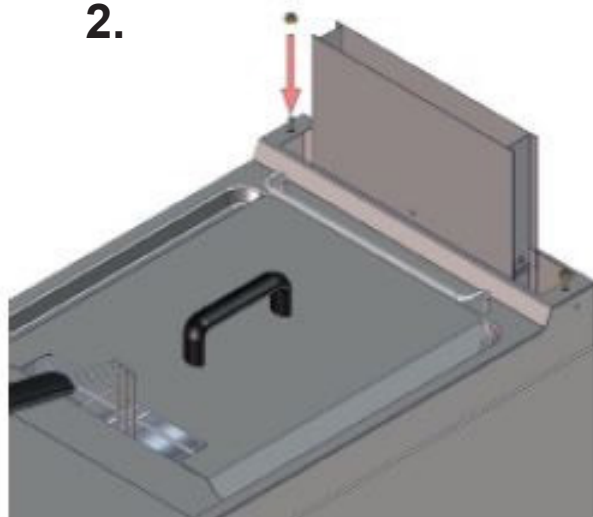


postavite dimnjak na fritezu

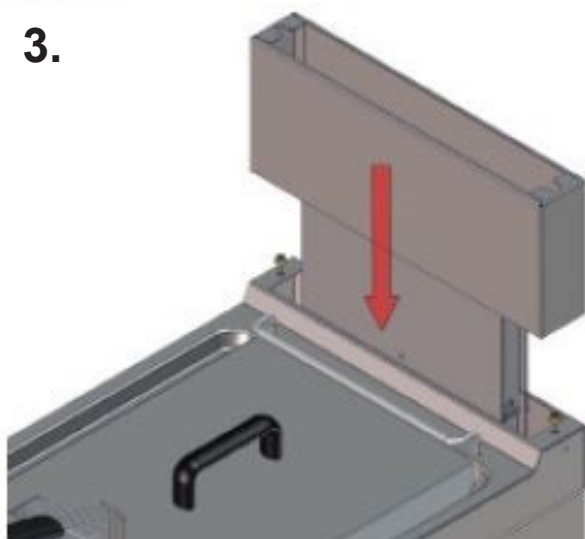
1.



2.



3.



4.



ČIŠĆENJE I ODRŽAVANJE

POZOR! Aparat ne smijete čistiti vodom koja je pod pritiskom; npr. tuš, crijevo. Čistite ga svakodnevno. Dnevno održavanje produžava život i upotrebnu vrijednost aparata. Prije početka čišćenja, provjerite da li ste aparat isključili iz struje. Uvijek provjerite glavni dovod. Dijelove od nehrdjajućeg čelika čistite vlažnom krpom i tekućim deterdžentom za sudje, potom operite čistom vodom i detaljno osušite. Nemojte koristiti abrazivna ili korozivna sredstva za čišćenje. Sve ostatke jela morate odstraniti sa radne ploče, možete koristiti špahtlu. Poslije svakog čišćenja, namažite gril ploču stolnim uljem.

Šta učiniti u slučaju kvara?

Isključite aparat iz struje i nazovite autorizovani servis.

UPOZORENJE

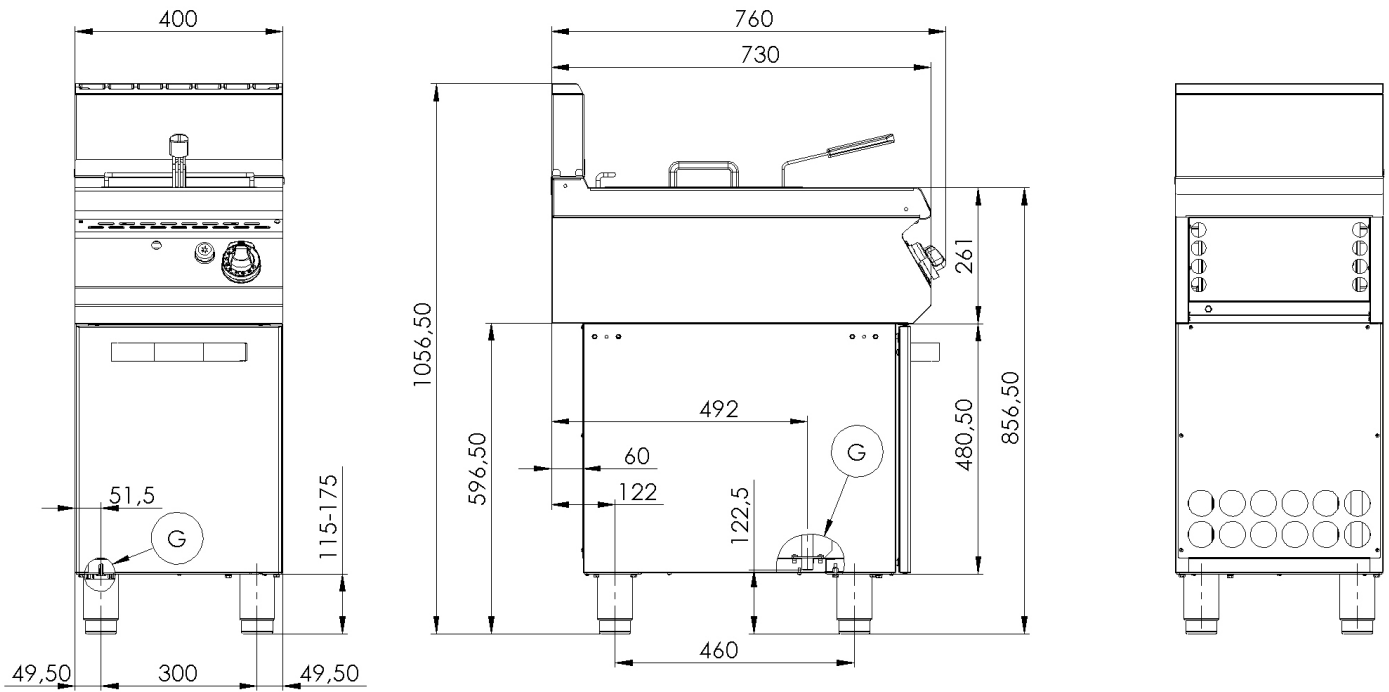
Garancija se ne odnosi na potrošne dijelove (kao što su: gumice, lampice, stakleni i plastični dijelovi...). Garancija se također ne odnosi na uređaj koji nije priključen i instaliran prema uputama, odgovornim serviserom, a prema danim normama. Isto tako, ukoliko su bile napravljene izmjene ili opravke koje nisu predviđene (oprave unutrašnje instalacije) ili ako je uređaj korišten nepoučenim ili neprofesionalnim osobljem, odnosno protivno instrukcijama navedenim u uputstvu za upotrebu. Također, garancija ne vrijedi ukoliko je aparat oštećen vanjskim ili klimatskim uticajima.

Neophodno je provoditi kontrolu uređaja svakih 6 mjeseci. Tu kontrolu treba da provede autorizovani serviser. U slučaju ne dodržavanja ove preporuke, proizvođač se ograđuje od bilo kakve odgovornosti za štetu na imovini ili zdravlju.

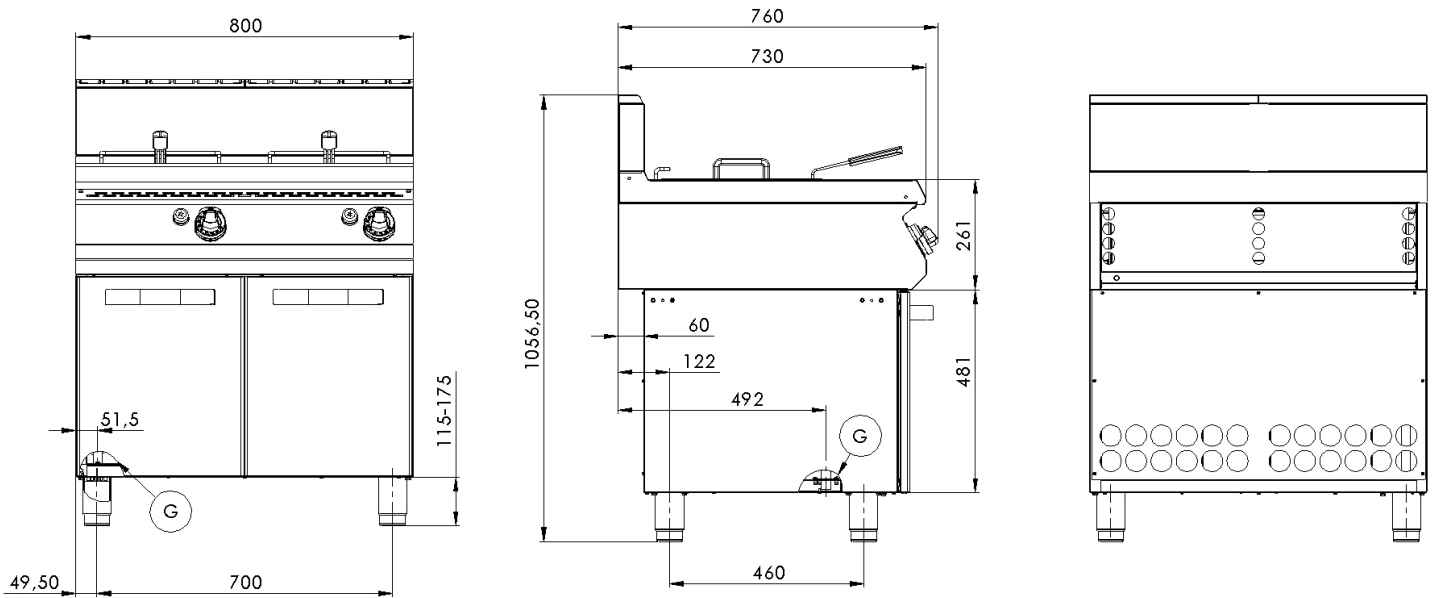
Ambalažu pakovanja i uređaj poslije kraja njegove upotrebne vrijednosti, predajte na otpad, a to prema danim propisima o likvidaciji.

DIMENZIONALNA SLIKA

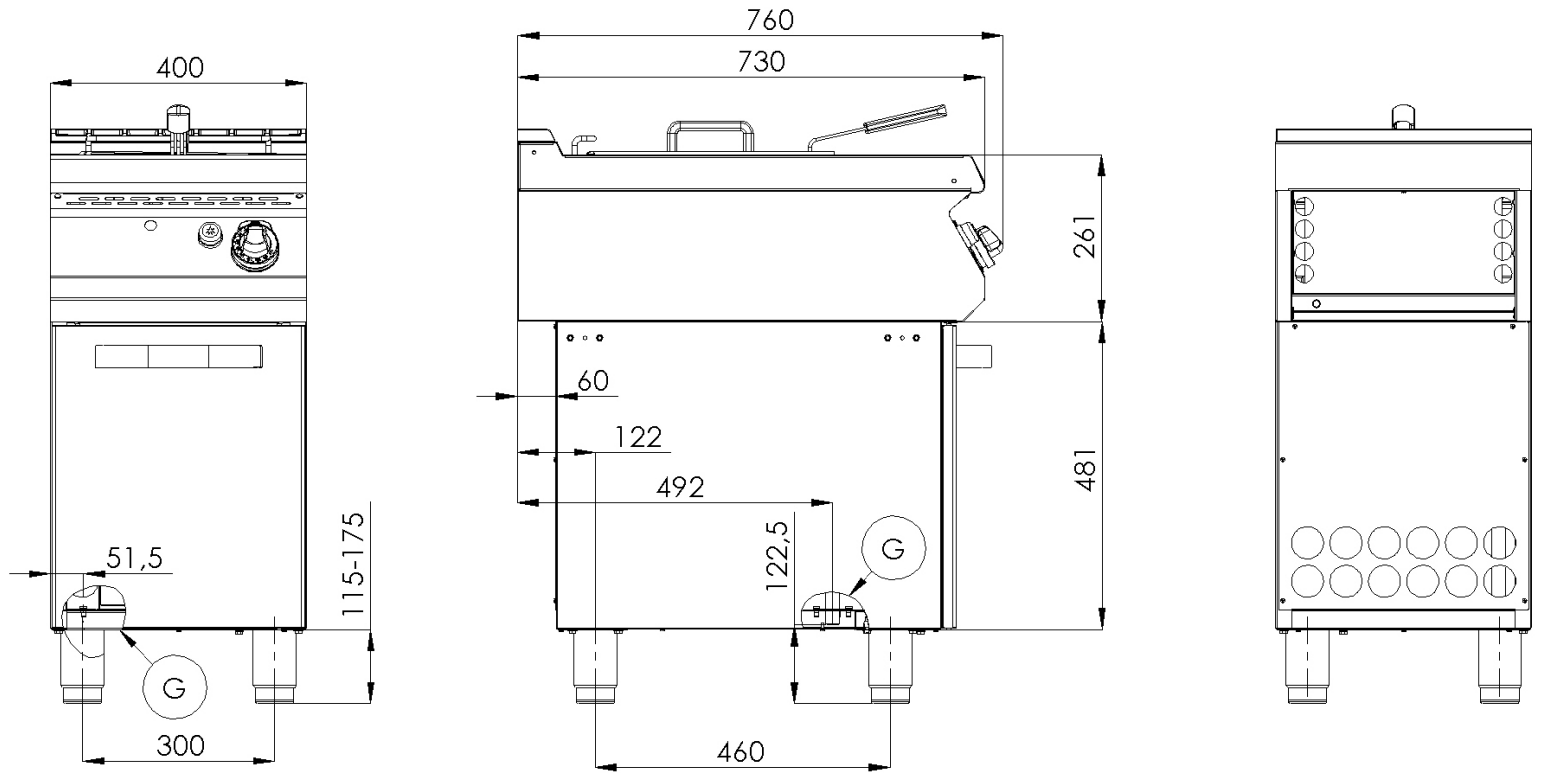
FE - 740/15 G



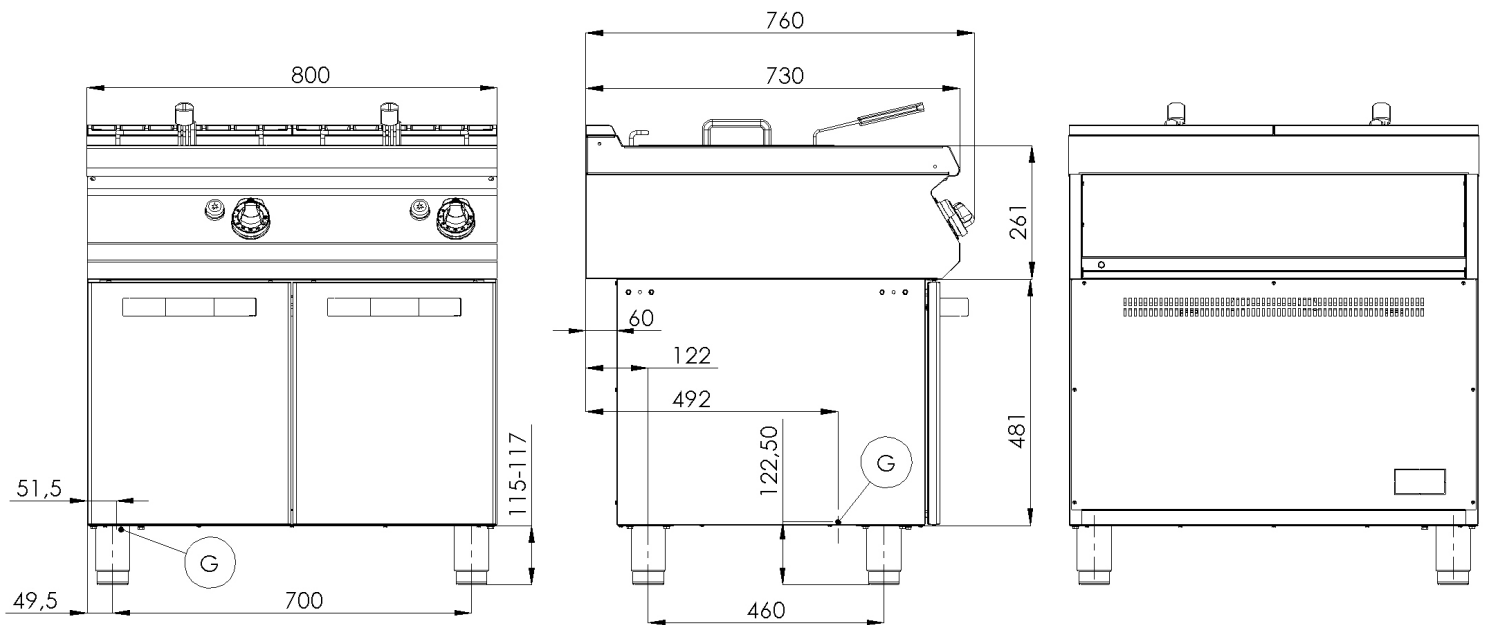
FE - 780/15 G



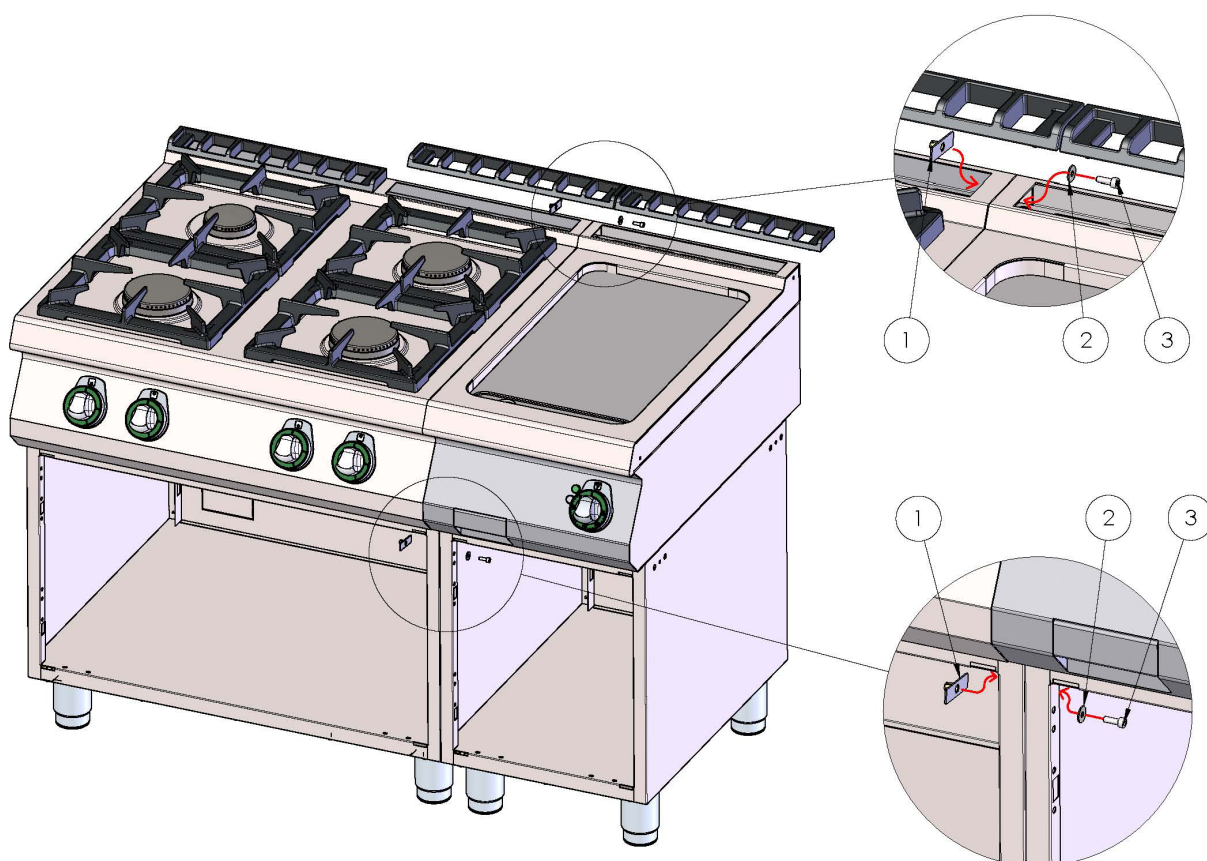
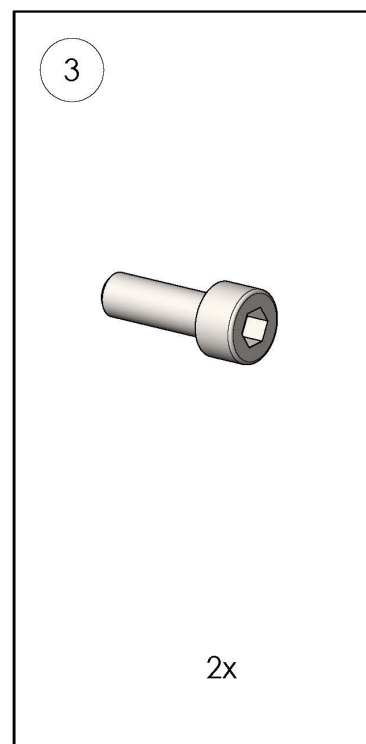
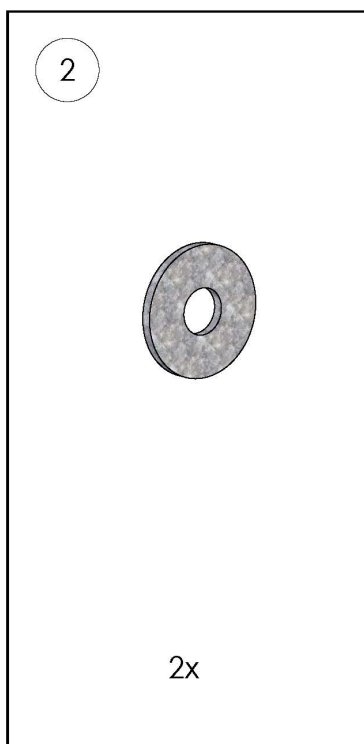
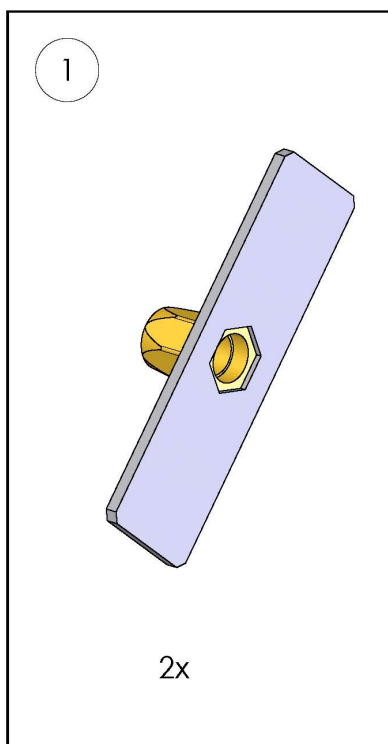
FE - 740/17 G



FE - 780/17 G



priključak modula



DECLARAȚIE DE CONFORMITATE CU NORMELE

Producătorul declară că aparatele sunt conforme cu normele 2004/108/ES, 2006/95/ES, cu legea nr. 616/2006 Sb., 17/2003 Sb. și cu prevederile relevante ale Guvernului. Instalarea trebuie efectuată în conformitate cu normele actuale. Atenție, producătorul nu-și asumă răspundere în cazuri de defecțiuni directe sau indirecte, datorate instalării sau modificărilor incorecte, întreținerii necorespunzătoare, utilizării defectuoase, sau care sunt rezultatul altor cauze decât cele menționate în punctul despre condițiile vânzării. Acest aparat este destinat exclusiv spre utilizare specializată și trebuie deservit de către personal calificat. Piesele, care au fost sigilate de către producător sau un lucrător împuternicit în acest sens nu pot fi remontate

DATE TEHNICE

Menționăm faptul că echipamentul cu caracteristicile tehnice descrise în prezentul manual nu se încadrează în categoria echipamentelor pentru uz casnic, echipamentul fiind destinat în exclusivitate uzului comercial, de către personal calificat.

TIP	PUTERE (W)	DIMENSIUNE (mm)	VOLUM (l)
FE-740-15 G	12,5	400 x 730 x 895	15
FE-780-15 G	2x 12,5	800 x 730 x 895	2x 15
FE-740-17 G	14	400 x 730 x 895	17
FE-780-17 G	2x 14	800 x 730 x 895	2x 17

VERIFICAREA AMBALAJULUI ȘI APARATULUI

Aparatul iese din depozitele noastre ambalat în mod reglementar, cu indicarea simbolurilor și însemnelor corespunzătoare. Ghidul de deservire corespunzător se găsește în ambalaj. Dacă ambalajul prezintă semne de manevrare necorespunzătoare sau urme de deteriorare, este necesar de atenționat transportatorul și de a face un proces verbal de deteriorare.

Avertismente importante

-Produsul este destinat utilizării numai în interior.

Nu folosiți niciodată dispozitivul cu sursa sau fișa de alimentare deteriorate sau dacă nu funcționează corect, a căzut pe jos și s-a deteriorat sau dacă a căzut în apă. În astfel de cazuri duceți dispozitivul la un service specializat pentru a i se verifica siguranța și funcționarea corectă

•Acest ghid trebui citit cu atenție pentru că conține informații importante despre securitate, instalare și utilizare

•Următoarele recomandări se aplică acestui produs

•Produsul este conform cu normele actuale

•Acest ghid trebuie păstrat pentru utilizarea ulterioară

•Împiedicați manipularea aparatului de către copii

•La vânzare sau relocare asigurați-vă că deservirea aparatului va fi efectuată în conformitate cu instrucțiunile din ghidul anexat

•Produsul poate fi deservit doar de către personalul instruit

•Poate fi utilizat doar pentru prepararea produselor alimentare

•Să nu fie lăsat fără supraveghere

•Se recomandă o inspectare specializată minim 1 data pe an

•În cazul unei reparații piesele trebuiesc înlocuite doar cu piese de schimb originale

•A nu se curăța produsul cu jet direct de apă sau apă sub presiune

•În caz de defectare sau disfuncție a aparatului se cere de a deconecta orice alimentare (apă, electricitate, gaz) și de apelat la un servis autorizat

•Producătorul nu-și asumă răspundere în cazul defecțiunilor datorate instalării incorecte, nerespectării avertismentelor susmenționate, utilizării în alte scopuri, etc.

INSTALAREA

Instrucțiuni tehnice pentru instalare și reglare

Destinat DOAR utilizării de către tehnicieni specializați.

Instrucțiunile următoare sunt destinate tehnicianului calificat pentru reparație: Toate operațiunile trebuie sa fie efectuate cât mai atent și în conformitate cu normele actuale!!!

Important:

Orice activitate de reglare a aparatului trebuie efectuată după deconectarea acestuia de la rețeaua electrică. Dacă e nevoie de lăsat aparatul sub tensiune, se cere să fiți mai atenți!

AMPLASAREA

Pentru asigurarea funcționalității aparatului, spațiul (bucătăria) unde va fi amplasat acesta trebuie sa fie bine aerisit (referitor la aceasta: tehnicianul să urmeze normele actuale ale CȘN)

Dacă aparatul e instalat în așa fel încât are contact cu suprafața mobilierului, acestea trebuie sa fie rezistente la temperaturi de 60°C. Instalarea, reglarea și darea în exploatare trebuie să fie efectuate de către o persoană calificată, care este autorizată în acest sens și în conformitate cu normele în vigoare.

Despachetați aparatul și verificați dacă nu a fost avariat în timpul transportării. Amplasați aparatul pe o suprafață orizontală (deviere maximă până la 2°). Amplasați aparatul sub hotă ca să fie eliminat mirosul și aburii.

Aparatul poate fi instalat separat sau în serie cu alte produse din gama noastră. Este necesar de a păstra o distanță minimă de 10cm de alte obiecte și de a evita contactul cu obiectele inflamabile. În astfel de cazuri se cere izolarea termică a pieselor inflamabile.

MĂSURI DE SECURITATE DIN PUNCT DE VEDERE AL PROTECȚIEI ÎMPOTRIVA INCENDIILOR CONFORM CSN EN 061008 ȚL. 21:

- Deservirea aparatului trebuie să fie asigurată de către persoane mature
 - Aparatul poate fi utilizat fără pericol în condiții obișnuite conform EN 332000-1
 - Aparatul trebuie amplasat în așa fel încât să fie fixat pe un suport neinflamabil
- Se interzice amplasarea obiectelor inflamabile pe aparat, precum și în apropierea acestuia la distanțe mai mici decât cele recomandate (distanța minimă recomandată este de 10cm)
- Distanțele sigure față de obiectele inflamabile și informațiile despre gradul de combustibilitate a materialelor de construcție sunt indicate în tabel

Tabel:

Gradul de combustibilitate a materialelor de construcție (EN 730823) după substanțe și produse

A neinflamabil	granit, var, beton, cărămidă, gresie ceramică, tencuiala
B greu inflamabile	placă fibrolemnoasă, fibre minerale
C1 dificil inflamabil	lemn, foioase, hârtie întărită, placaj
C2 mediu inflamabil	plăci aglomerate din aşchii de lemn, plăci din plută, cauciuc, pardoseala din PVC
C3 ușor inflamabil	placi fibrolemnoase, polistiren, poliuretan, PVC

Aparatul trebuie instalat într-un mod sigur. În timpul instalării trebuie respectate prevederile de siguranță, proiectare și igienă în conformitate cu:

- EN 06 1008 securitatea de incendiu a dispozitivelor locale și surselor de căldură
- EN 33 2000 mediul înconjurător pentru aparate electrice (33 2000-4-42; 33 2000-4-482)

CONECTAREA CABLULUI ELECTRIC LA REȚEA

Instalarea alimentării cu electricitate: conexiunea trebuie asigurată de sine stătător cu o siguranță corespunzătoare și în funcție de tensiunea aparatului instalat. Tensiunea aparatului poate fi verificată pe plăcuța producătorului din partea de spate a aparatului. Conectați aparatul direct la rețea și plasați un întrerupător între aparat și rețea, respectând distanța minimă de 3mm între contacte, și care să corespundă cu normele în vigoare și cu sarcina de lucru. Firul de împământare (galben-verzui) nu trebuie afectat de acest întrerupător.

În orice caz cablul de alimentare trebuie amplasat în așa fel încât temperatura lui să nu depășească în nici un loc cu 50 de grade pe cea a mediului înconjurător. Înainte de a conecta aparatul la rețea asigurați-vă că:

- Siguranța alimentării și distribuția internă vor rezista la sarcina aparatului (vezi plăcuța)
- Conductoarele sunt împământate corespunzător, conform normelor (CSN) și prevederilor legale
- Priza sau întrerupătorul alimentării sunt ușor accesibile

Nu ne asumăm nici un fel de răspundere în cazul nerespectării acestor norme și în cazul încălcării principiilor enunțate mai sus.

Înainte de prima utilizare îndepărtați folia protectoare de pe aparat și curățați-l așa cum scrie în capitolul „curățare și întreținere”.



- Nu introduceți fișa de alimentare în priză cu mâinile ude și nici nu o scoateți trăgând de sursa de alimentare!
- Nu folosiți cabluri prelungitoare sau prize multiple.

VERIFICAȚI TIPUL DE GAZ CU PRIVIRE LA UTILIZAREA DISPOZITIVULUI

Aparatele noastre sunt certificate și reglementează gazele naturale (vezi plăcuța tehnică). Conversia sau adaptarea la un alt tip de gaz trebuie efectuate de personal autorizat. Duzele pentru diferite tipuri de gaz se află într-o pungă prevăzută cu aragaz și sunt marcate în sutimi de mm (tabelul conductelor cu date tehnice).

Înlocuirea și reglarea presiunii

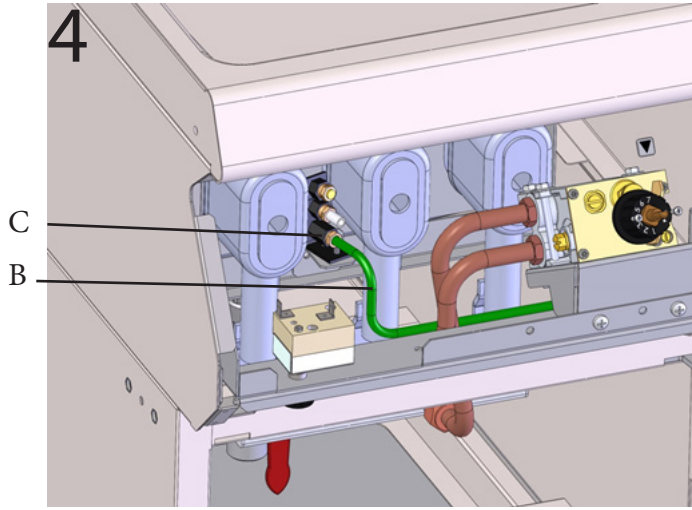
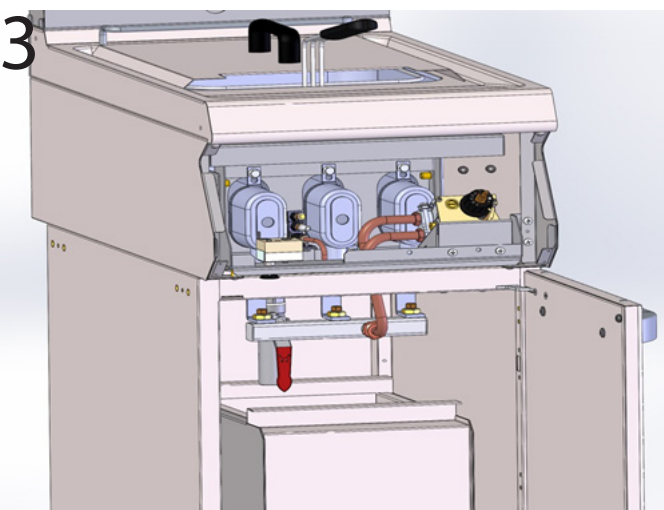
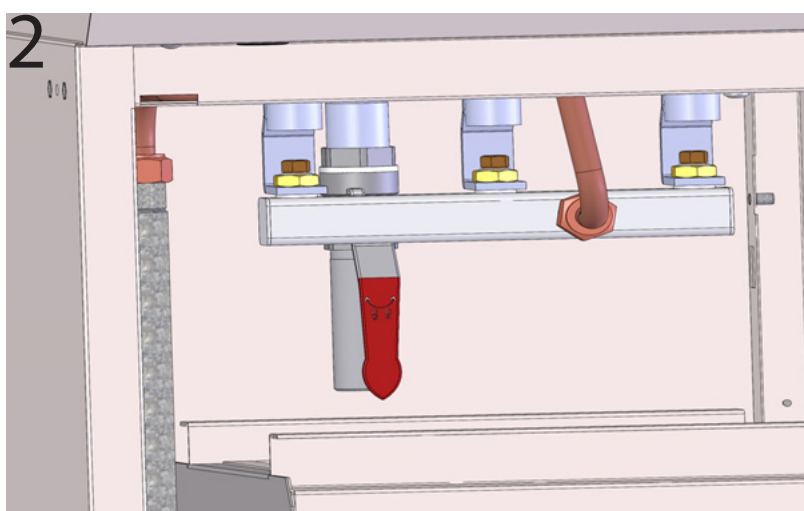
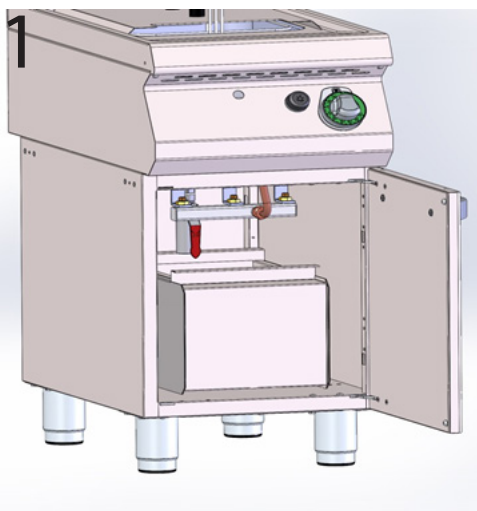
Procedați după cum urmează la înlocuirea duzei arzătorului:

- 1) scoateți butoanele de comandă de pe panoul frontal, dezamblați panoul frontal (3)
- 2) Scoateți conducta de cupru de alimentare cu gaz din duza pilot (4B)
- 3) În conformitate cu imaginea (fig.4C) deșurubați duza de la arzător și înlocuiți cu duze conform tabelului „DATE TEHNICE“

Reglați arzătorul principal (fig. 2) deșurubați duza arzătorului pilot și înlocuiți-o cu o duză pentru gazul relevant conform tabelului.

Important:

După ce a fost făcut reglarea aparatului la un alt tip de gaz, este necesar să schimbați gazul indicat pe plăcuța tehnică situată într-o locație vizibilă din spatele dispozitivului.



GHID DE UTILIZARE

Atenție!

Scoateți folia de protecție de pe toate suprafețele și spălați aparatul cu apă cu detergent. Apoi stropiți-l cu apă curată. Utilizați dispozitivul sub supraveghere. Nu utilizați niciodată dispozitivul fără ulei sau dacă nivelul uleiului este mai mic de min. linie - pericol de incendiu. În cazul în care uleiul este murdar sau dacă utilizați un timp mai îndelungat de ulei, acesta poate provoca fierberea.

• Aprinderea arzătorului principal și controlul temperaturii: imaginile A, B

Rotiți butonul de comandă (2) în poziția „aprinderea arzătorului principal”, apoi apăsați-l în jos și mențineți-l. Apăsați butonul piezoizolator al arzătorului de mai multe ori (1) până când arzătorul principal arde. Flacăra este vizibilă prin slotul de pe panoul frontal. După ce arzătorul țineți butonul (2) apăsat câteva secunde până când termofuzorul se încălzește. Apoi eliberați butonul. Dacă flacăra se stinge, repetați întregul proces încă o dată.

• Cum să opriți întreaga dispozitiv: imaginile A, B

Rotiți butonul (2) în poziția „0”.

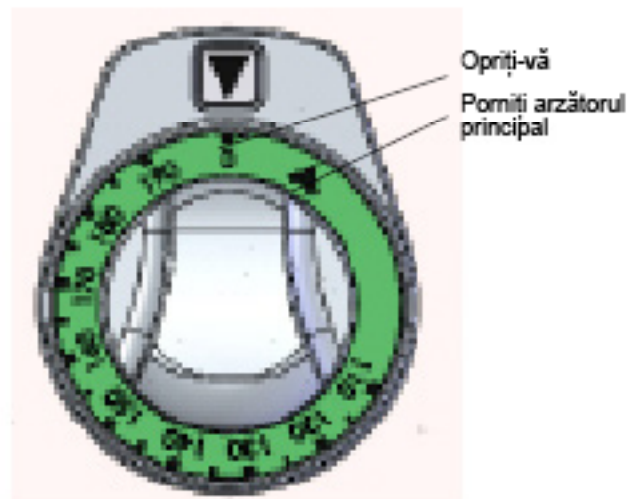
Comentarii și recomandări

Trebuie să verificați întotdeauna nivelul uleiului, nu utilizați niciodată dispozitivul fără ulei. Utilizați dispozitivul numai sub supraveghere.



① Buton piezo

② Buton de reglare



CURĂȚARE ȘI ÎNTREȚINERE

Este recomandat de a inspecta aparatul, cel puțin o dată pe an, de către un servis specializat. Orice intervenții asupra aparatului pot fi operate doar de către o persoană calificată, autorizată în acest sens.

ATENȚIE!!!

Este interzisă curățarea aparatului sub jetul de apă sau apă sub presiune. Curățați aparatul zilnic. Întreținerea zilnică prelungește eficiența și funcționalitatea aparatului. Înainte de a curăța aparatul, asigurați-vă că acesta este deconectat de la rețeaua electrică. Întotdeauna să opriți alimentarea principală a aparatului. Părțile de inox curățați-le cu o cârpă umedă cu soluție de săpun și fără particule tari, iar uscați-le prin ștergere. Nu folosiți soluții de curățat abrazive sau corozive. Înlăturați toate resturile de mâncare de pe suprafața de lucru, posibil și cu ajutorul unui șpaclu.

Zilnic, după utilizarea, trebuie unse suprafețele de contact ale robinetului de descărcare cu vaselină alimentară. La robinetul cu con, vaselină îi asigură și etanșeitatea. Niciodată nu goliți conținutul cazanului fără sita la deversor. Este pericol de astupare și deteriorare a robinetului.

Procedeu în caz de disfuncție a aparatului

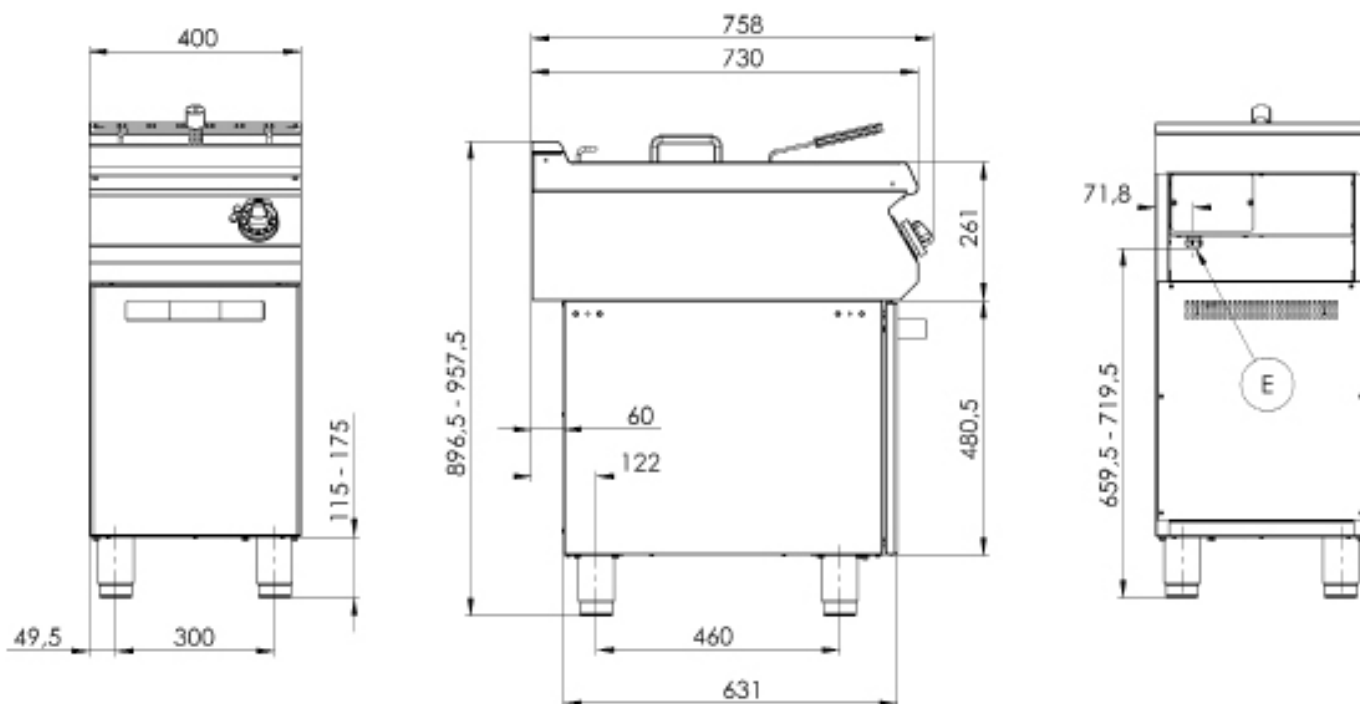
Opriți alimentarea cu electricitate și apelați servisul vânzătorului.

ATENȚIONARE

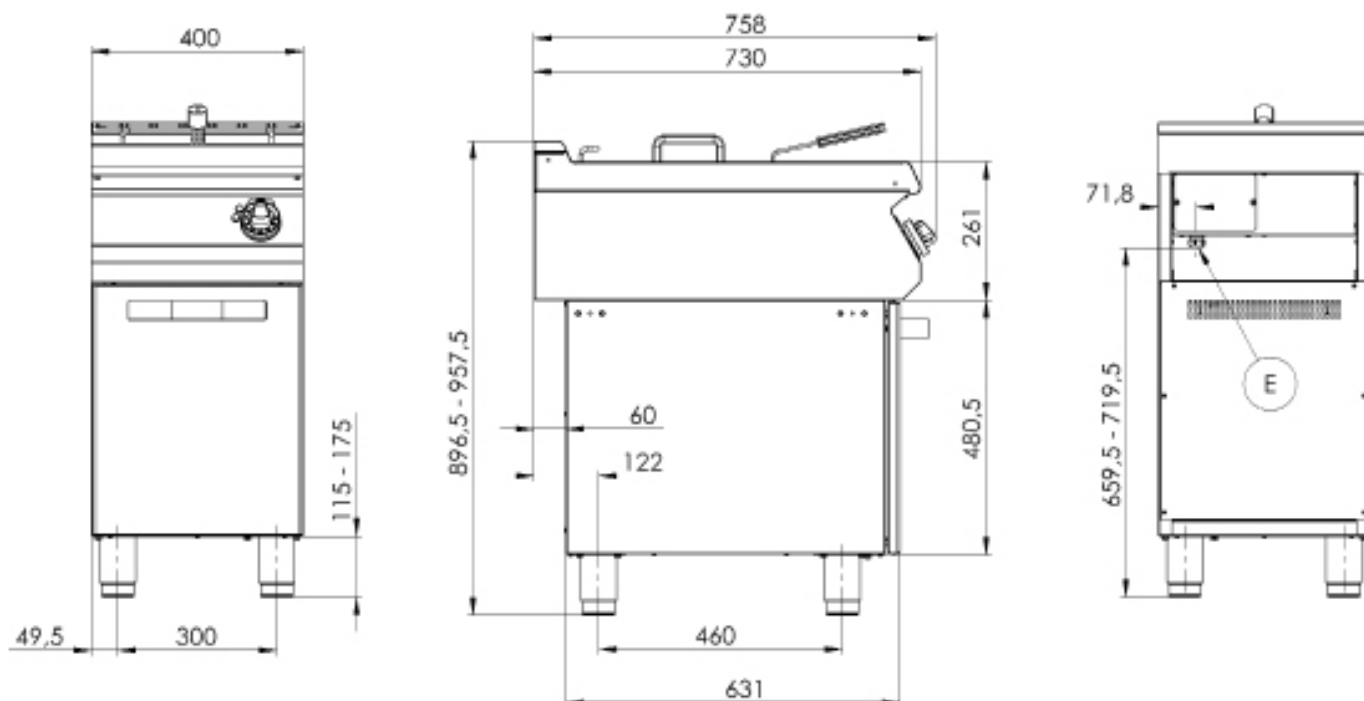
Garanția nu acoperă piesele consumabile care se uzează prin utilizare (garniturile din cauciuc, becurile, părțile din plastic și sticle, etc.). De asemeni garanția nu se aplică aparatelor a căror instalare a fost efectuată contrar normelor (de către o persoană autorizată conform normelor în vigoare) și nici în cazul manipulării defectuoase (intervenții în interiorul aparatului etc.) sau dacă a fost deservit de către personal neinstruit și contrar ghidului de utilizare. Garanția nu se aplica defectelor datorate efectelor naturii sau forței majore.

DIMENSIONALĂ SCHIȚĂ

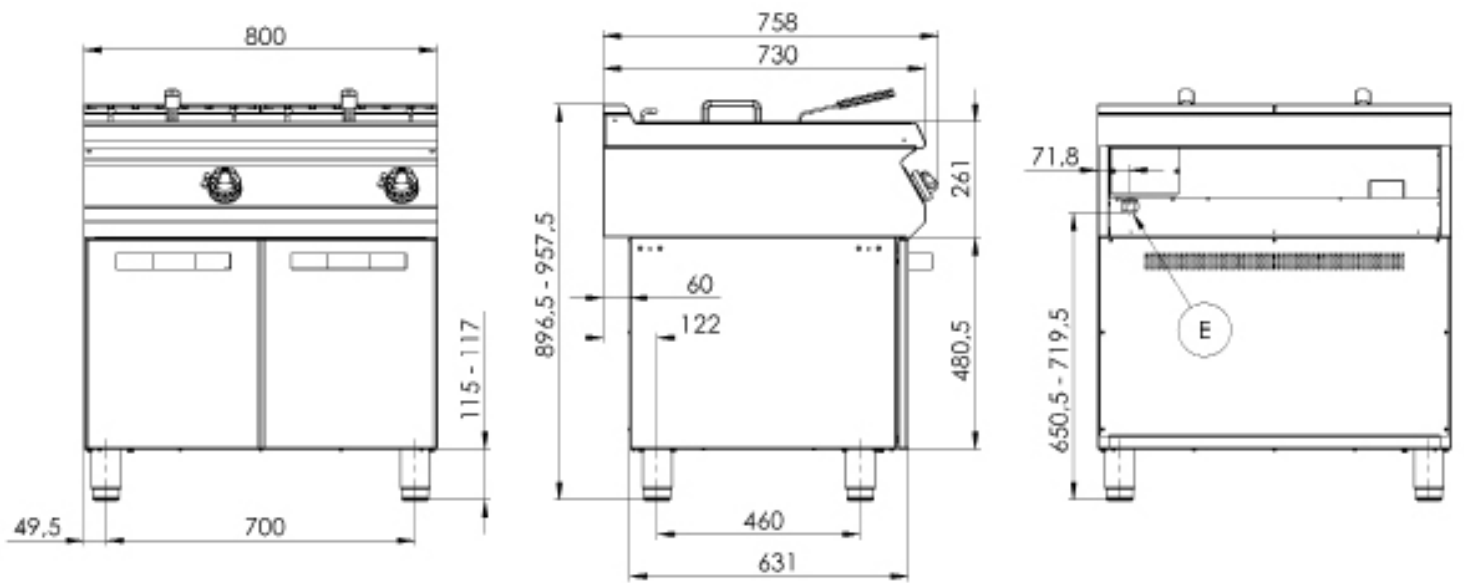
FE-740-13 E



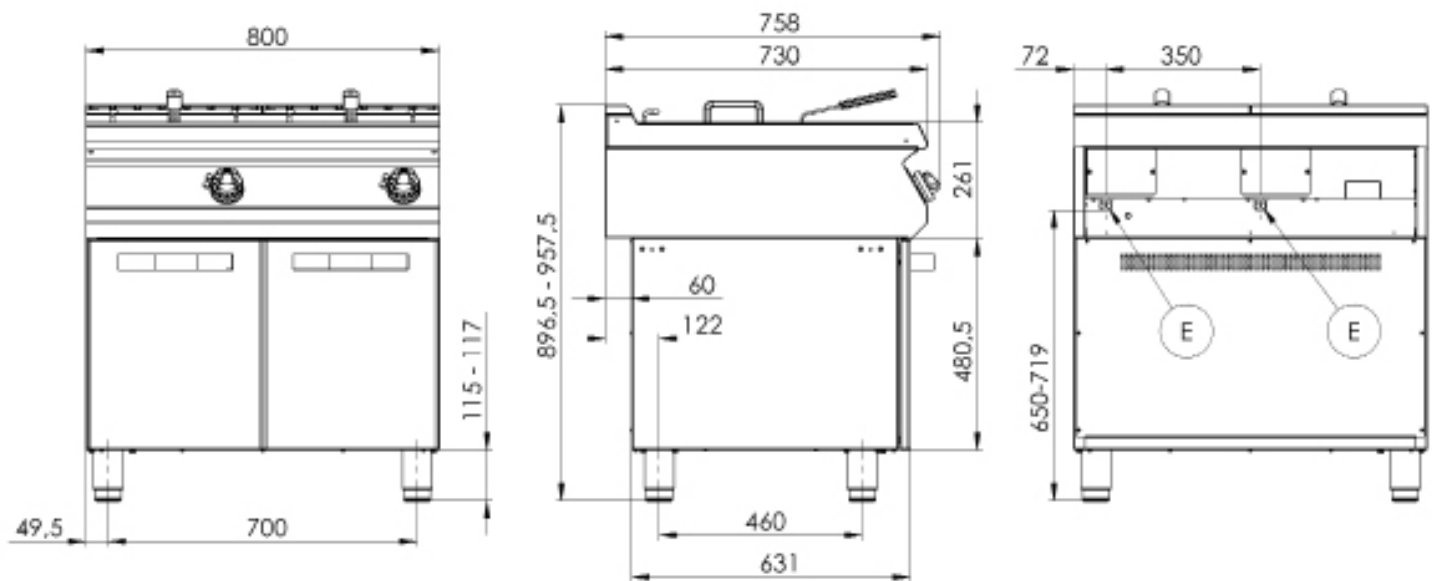
FE-740-17 E



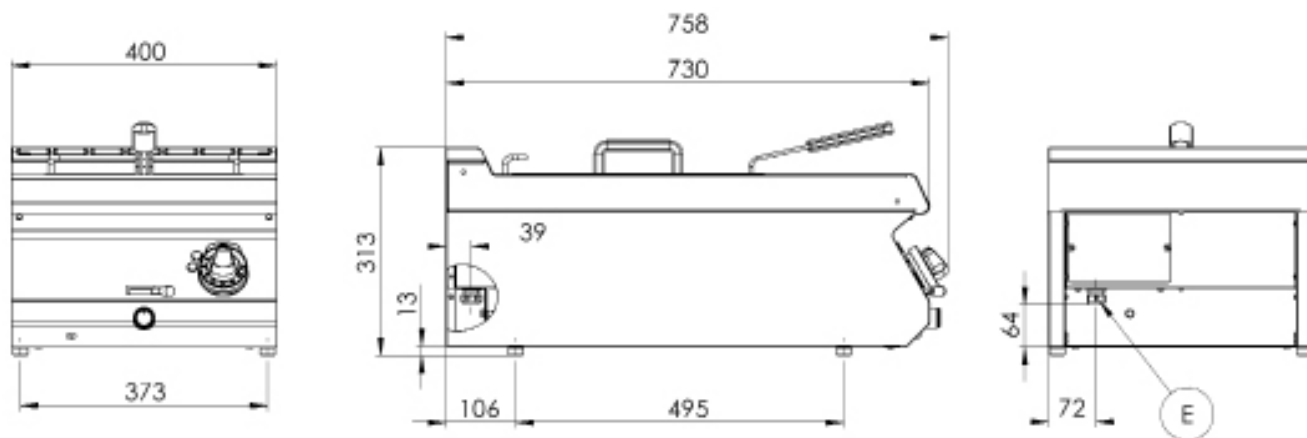
FE-780-13 E



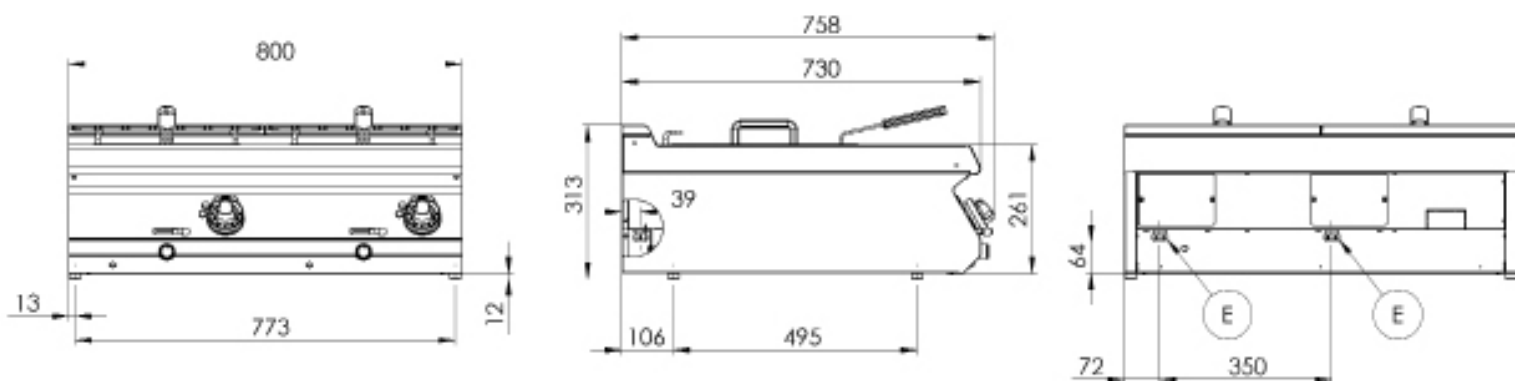
FE-780-17 E



FE-704-13 E

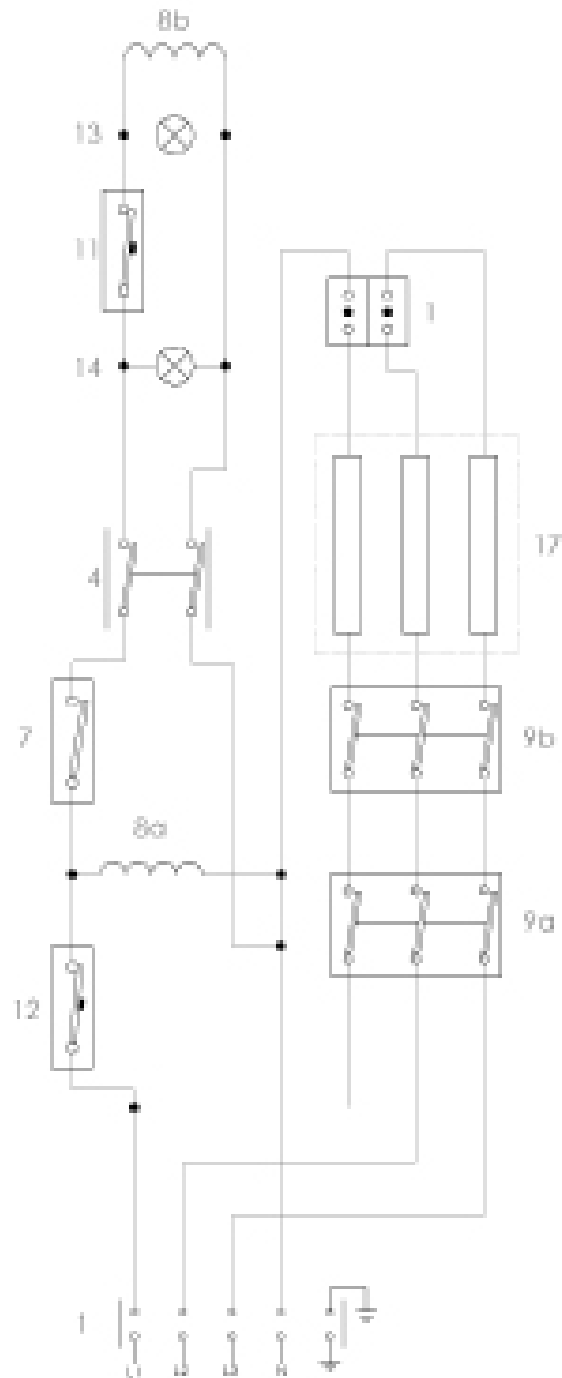


FE-708-13 E



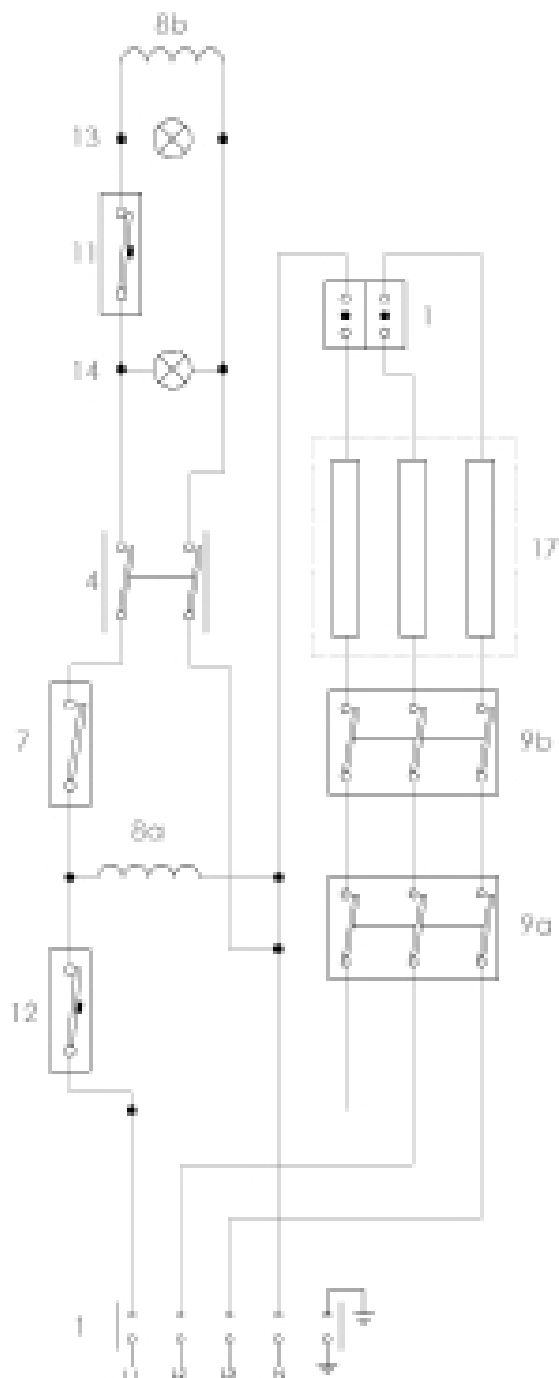
SCHEMA CONECTĂRII

FE-740-13 E

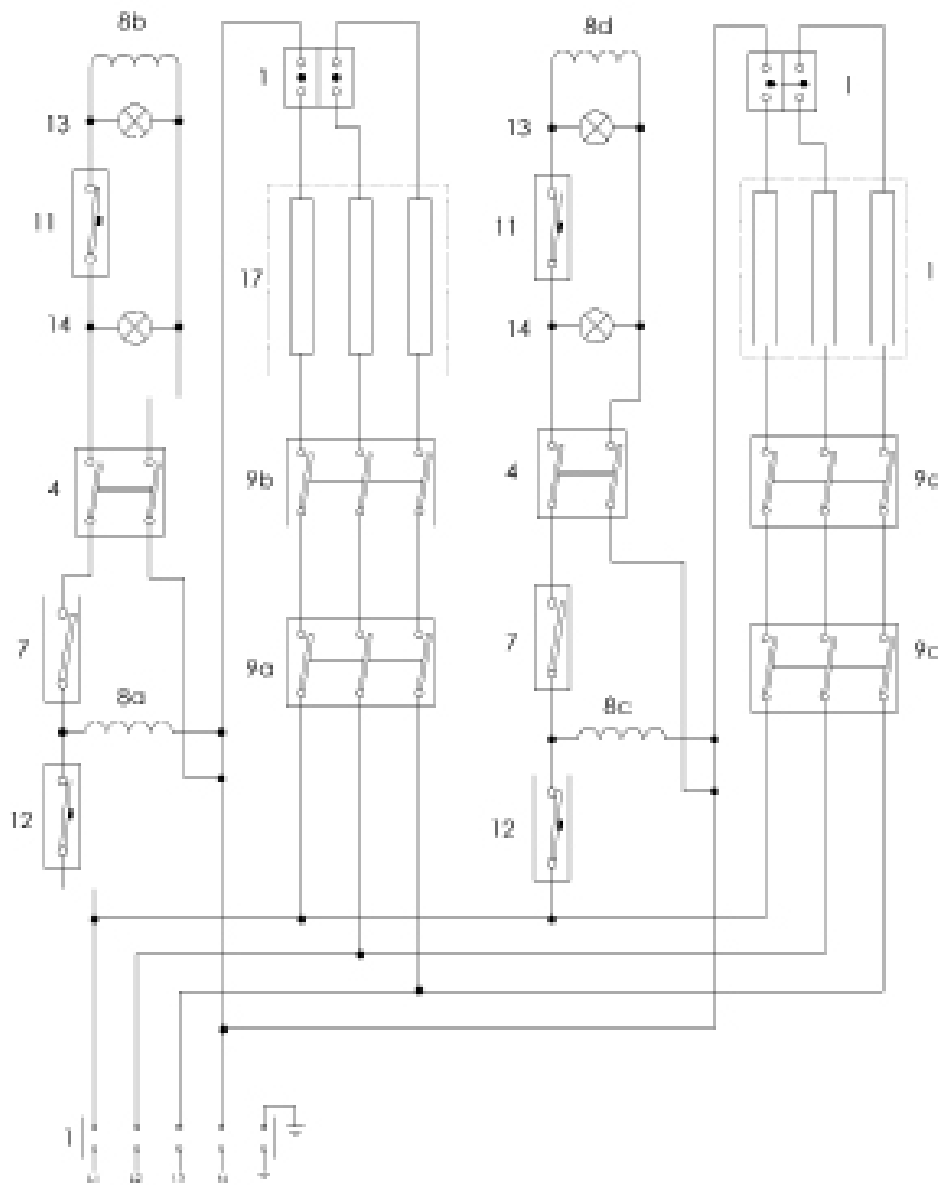


1 - TERMINAL	17 - încălzire
2 - SWITCH O / I	18 - plite de gătit
3 - iluminat POWER O / I	19 - Transformers
4 - comutator rotativ	20 - Siguranță
5 - Push Button Switches	21 - RHEOSTAT
6 - LIMIT SWITCH	22 - THERMOCOUPLE
7 - MICRO	23 - Senzor
8 - RELAY	24 - MOTOR LIFT
9 - contactele releului	25 - motoventilatoare
10 - timer	26 - BOOST condensator
11 - MUNCA Termostat	27 - bujia
12 - Termostat de siguranță	28 - robinetul de gaz (SIT)
13 - lumina portocalie	29 - OUTLET
14 - Green Light	30 - termometru digital
15 - diode	31 - Unitate de control
16 - iluminat interior	

FE-740-17 E

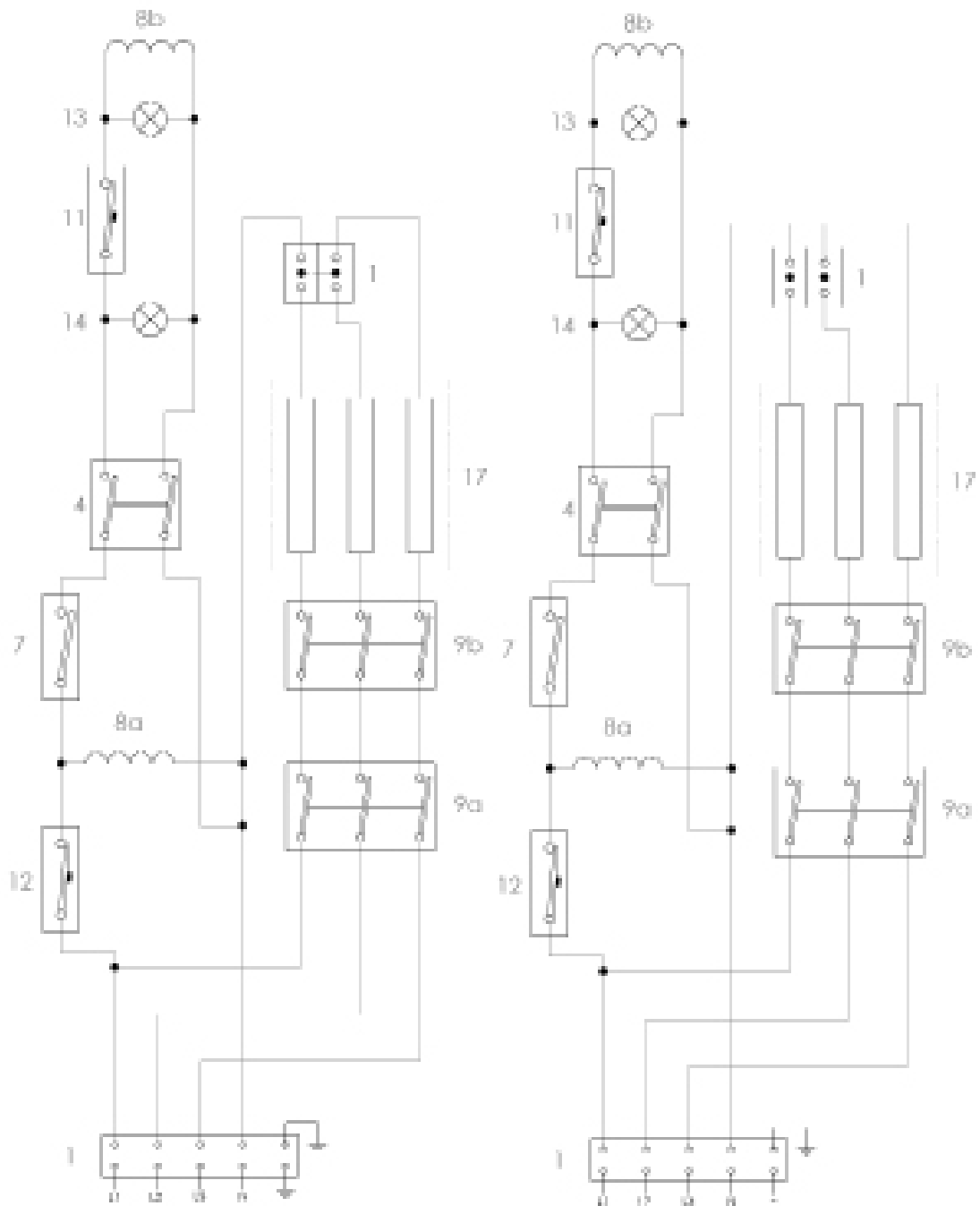


1 - TERMINAL	17 - încălzire
2 - SWITCH O / I	18 - plite de gătit
3 - iluminat POWER O / I	19 - Transformers
4 - comutator rotativ	20 - Siguranță
5 - Push Button Switches	21 - RHEOSTAT
6 - LIMIT SWITCH	22 - THERMOCOUPLE
7 - MICRO	23 - Senzor
8 - RELAY	24 - MOTOR LIFT
9 - contactele releului	25 - motoventilatoare
10 - timer	26 - BOOST condensator
11 - MUNCA Termostat	27 - bujia
12 - Termostat de siguranță	28 - robinetul de gaz (SIT)
13 - lumina portocalie	29 - OUTLET
14 - Green Light	30 - termometru digital
15 - diode	31 - Unitate de control
16 - iluminat interior	



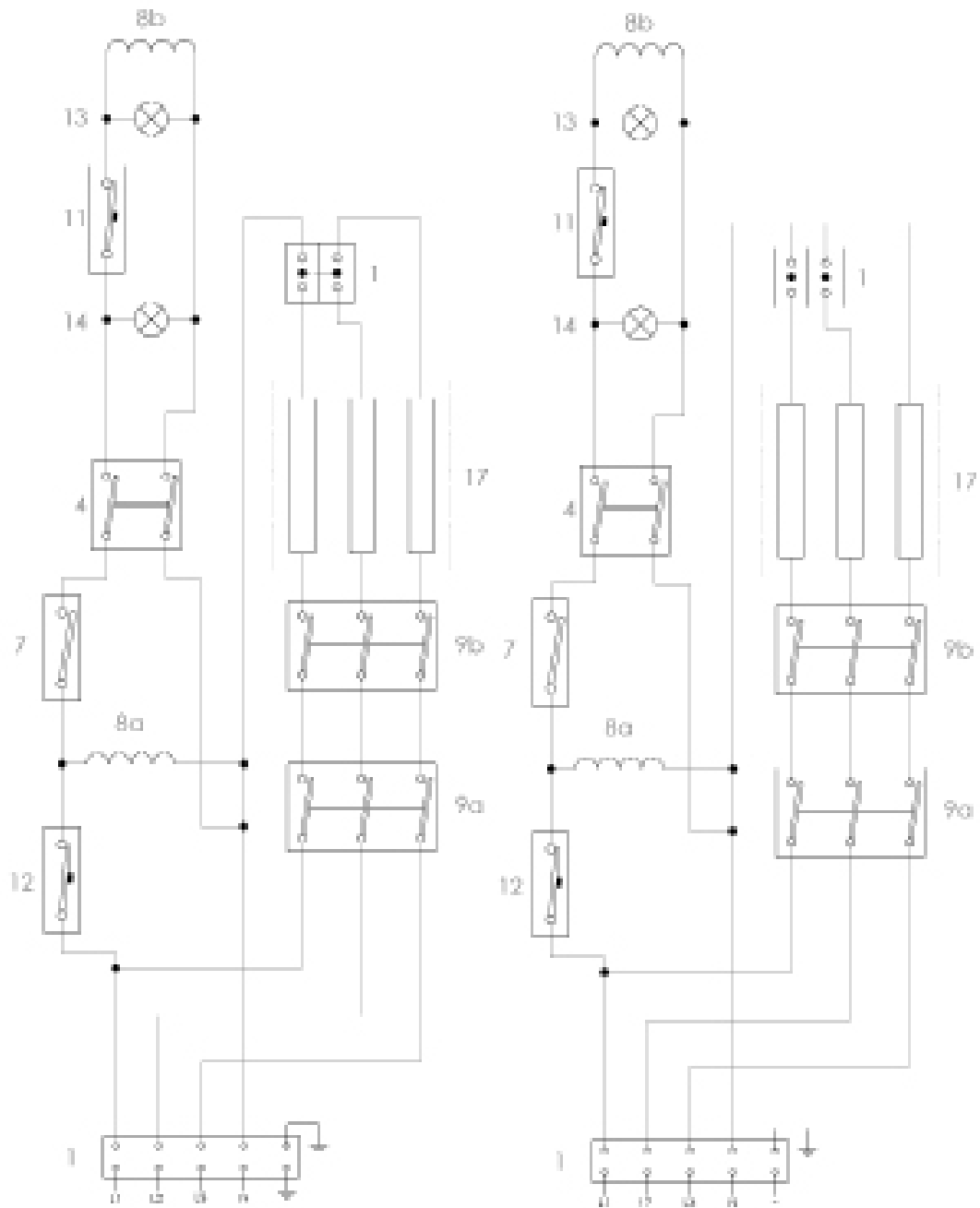
1 - TERMINAL	17 - încălzire
2 - SWITCH O / I	18 - plite de gătit
3 - iluminat POWER O / I	19 - Transformers
4 - comutator rotativ	20 - Siguranță
5 - Push Button Switches	21 - RHEOSTAT
6 - LIMIT SWITCH	22 - THERMOCOUPLE
7 - MICRO	23 - Senzor
8 - RELAY	24 - MOTOR LIFT
9 - contactele releului	25 - motoventilatoare
10 - timer	26 - BOOST condensator
11 - MUNCA Termostat	27 - bujia
12 - Termostat de siguranță	28 - robinetul de gaz (SIT)
13 - lumina portocalie	29 - OUTLET
14 - Green Light	30 - termometru digital
15 - diode	31 - Unitate de control
16 - iluminat interior	

FE-780-17 E

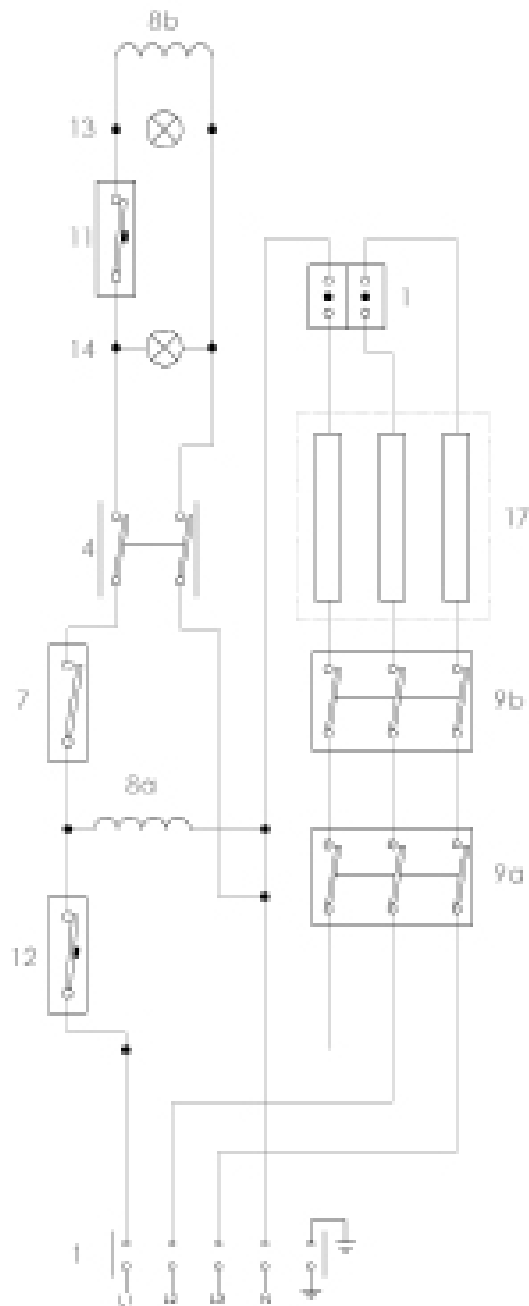


1 - TERMINAL	17 - încălzire
2 - SWITCH O / I	18 - plite de gătit
3 - iluminat POWER O / I	19 - Transformers
4 - comutator rotativ	20 - Siguranță
5 - Push Button Switches	21 - RHEOSTAT
6 - LIMIT SWITCH	22 - THERMOCOUPLE
7 - MICRO	23 - Senzor
8 - RELAY	24 - MOTOR LIFT
9 - contactele releului	25 - motoventilatoare
10 - timer	26 - BOOST condensator
11 - MUNCA Termostat	27 - bujia
12 - Termostat de siguranță	28 - robinetul de gaz (SIT)
13 - lumina portocalie	29 - OUTLET
14 - Green Light	30 - termometru digital
15 - diode	31 - Unitate de control
16 - iluminat interior	

FE-708-13 E

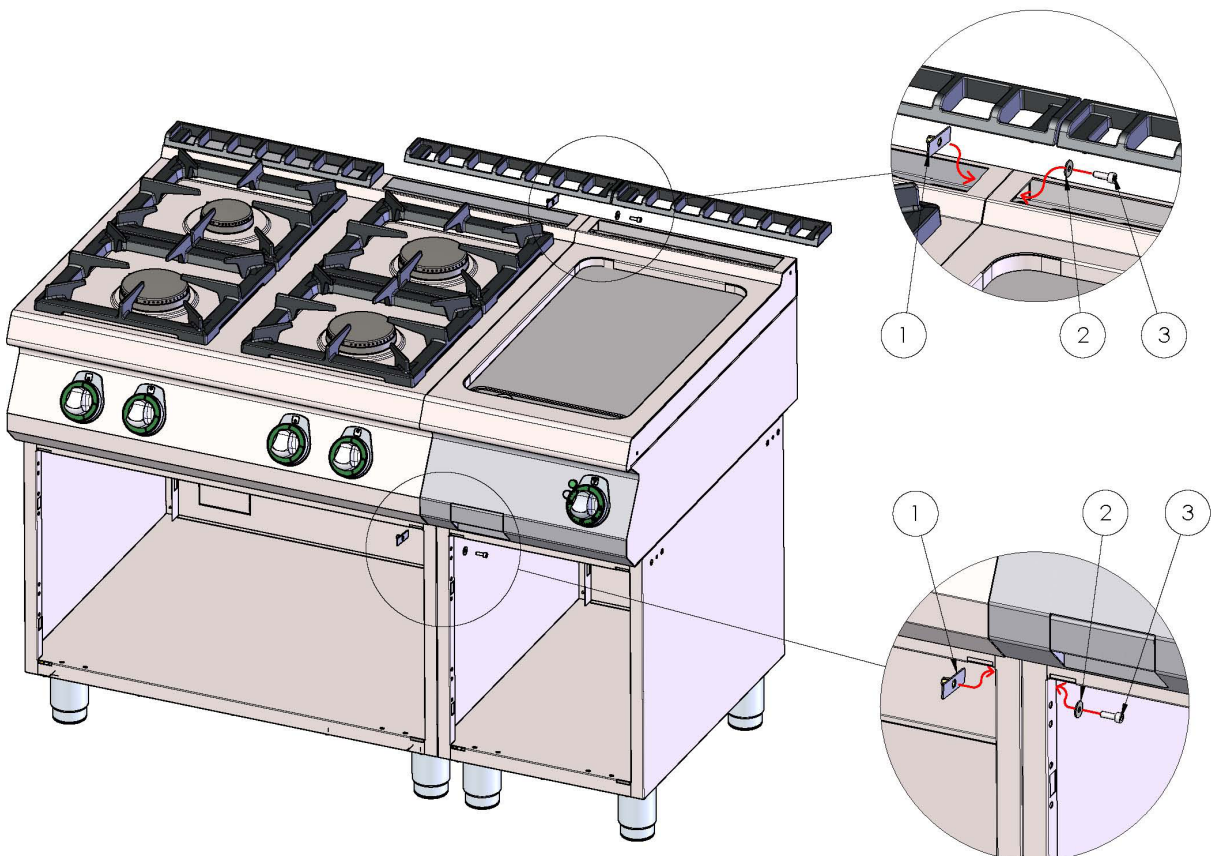
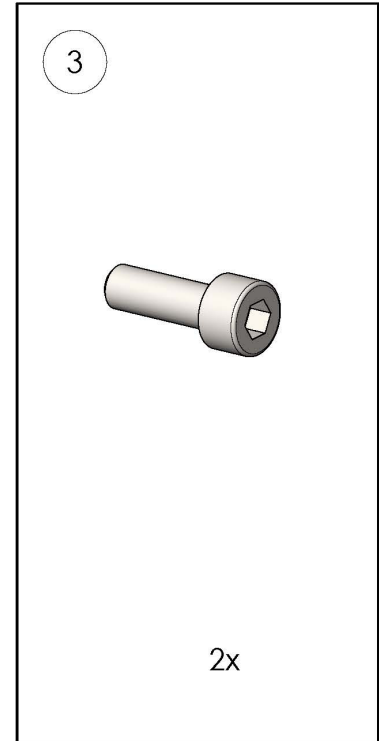
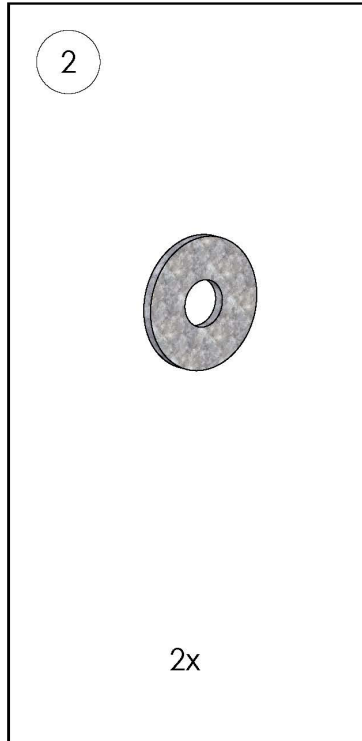
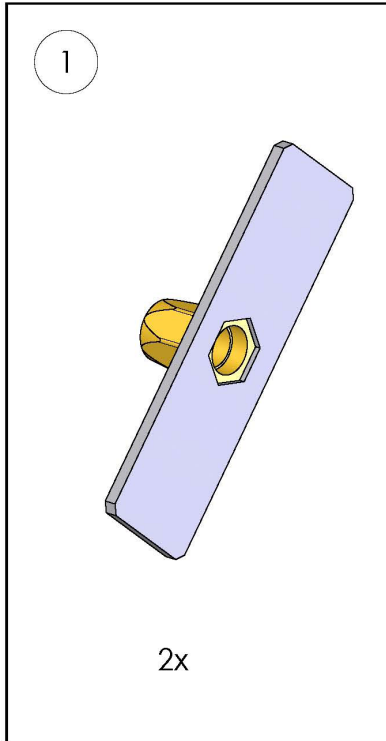


1 - TERMINAL	17 - încălzire
2 - SWITCH O / I	18 - plite de gătit
3 - iluminat POWER O / I	19 - Transformers
4 - comutator rotativ	20 - Siguranță
5 - Push Button Switches	21 - RHEOSTAT
6 - LIMIT SWITCH	22 - THERMOCOUPLE
7 - MICRO	23 - Senzor
8 - RELAY	24 - MOTOR LIFT
9 - contactele releului	25 - motoventilatoare
10 - timer	26 - BOOST condensator
11 - MUNCA Termostat	27 - bujia
12 - Termostat de siguranță	28 - robinetul de gaz (SIT)
13 - lumina portocalie	29 - OUTLET
14 - Green Light	30 - termometru digital
15 - diode	31 - Unitate de control
16 - iluminat interior	



1 - TERMINAL	17 - încălzire
2 - SWITCH O / I	18 - plite de gătit
3 - iluminat POWER O / I	19 - Transformers
4 - comutator rotativ	20 - Siguranță
5 - Push Button Switches	21 - RHEOSTAT
6 - LIMIT SWITCH	22 - THERMOCOUPLE
7 - MICRO	23 - Senzor
8 - RELAY	24 - MOTOR LIFT
9 - contactele releului	25 - motoventilatoare
10 - timer	26 - BOOST condensator
11 - MUNCA Termostat	27 - bujia
12 - Termostat de siguranță	28 - robinetul de gaz (SIT)
13 - lumina portocalie	29 - OUTLET
14 - Green Light	30 - termometru digital
15 - diode	31 - Unitate de control
16 - iluminat interior	

module de conectare



List of service organizations:

CZ: RM GASTRO CZ s. r. o., Náchodská 818/16, Praha 9

Tel. +420 281 926 604, info@rmgastro.cz, www.rmgastro.cz

SK: RM Gastro Slovakia, Rybárska 1, Nové Město nad Váhom

Tel.: +421 32 7717061, obchod@rmgastro.sk, www.rmgastro.sk

PL: RM GASTRO Polska Sp. z o. o., ul. Skoczowska 94, 43-450 Ustroń

Tel.: +33 854 73 26, www.rmgastro.pl