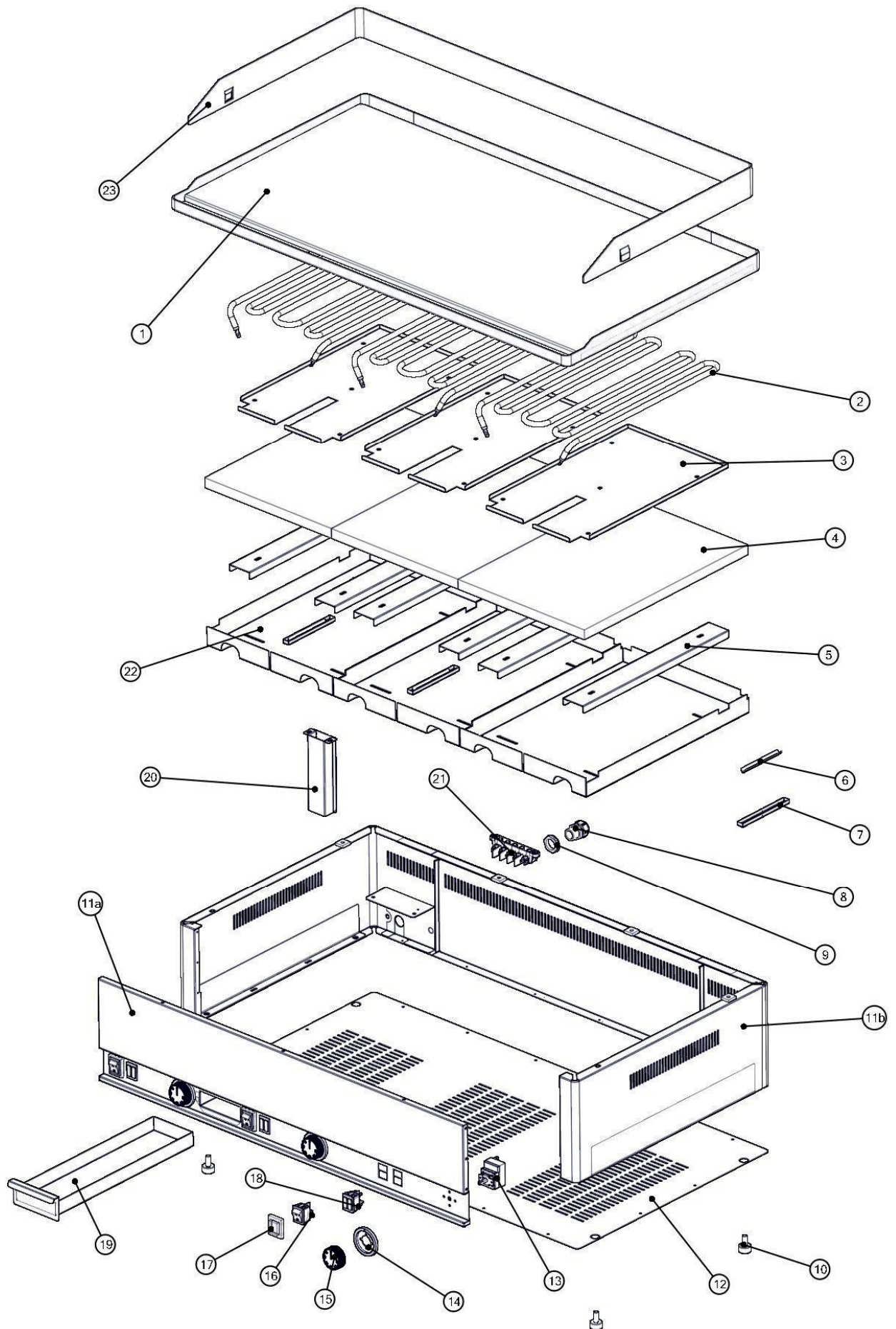


FTH - 90 E / FTH-C - 90 E





FTH - 90 E / FTH-C - 90 E

FTH - 90	
Pozice	Kód
1	501005633
2	401025000B
3	451007500A
4	407502118
5	451008716
6	451008700
7	451008600
8	402086016
9	402086216
10	409083050
11a	451018090
11b	501000750
12	450401230
13	402503000
14	402595000
15	402593000
16	401500500
17	401509000
18	401510001
19	503000758
20	501002100
21	402080102
22	451018110
23	451030300

FTH-C - 90	
Pozice	Kód
1	501005637
2	401025000B
3	451007500A
4	407502118
5	451008716
6	451008700
7	451008600
8	402086016
9	402086216
10	409083050
11a	451018090
11b	501000750
12	450401230
13	402503000
14	402595000
15	402593000
16	401500500
17	401509000
18	401510001
19	503000758
20	501002100
21	402080102
22	451018110
23	451030300

Exploded view

TABLE A: LABELS

MODEL	CODE	NOTE
VT	402594273	
TO - 940	402594234	Switch
TO - 940	402594235	Timer
TO - 960	402594234	Switch
TO - 960	402594235	Timer
TO - 920	402594233	Switch
TO - 920	402594235	Timer
TO - 930	402594233	Switch
TO - 930	402594235	Timer
VEC	402594241	
PM - LTF	402594244	
KD	402594243	
FP - 36	402594237	
FP - 66		
FP - 37		
FP - 67		
FT	402594247	
PD		
PM		
PS		
FP - 38		
FP - 68		
FE	402594272	
BM	402594236	
BMV		
HD		
WE		
WEV		
OTS		
UH		
BM-D	402594271	
SE		
CW		
GV		

