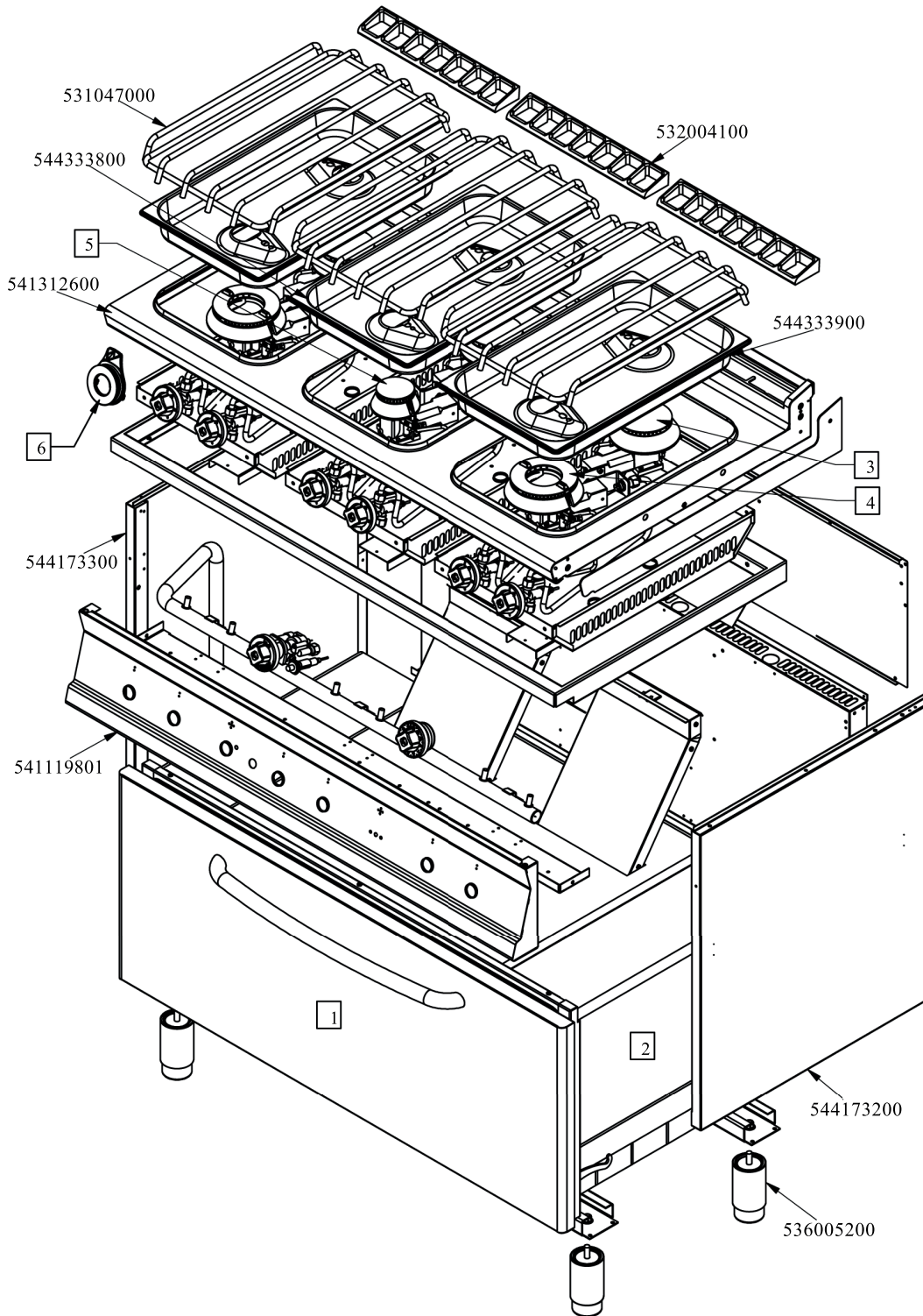
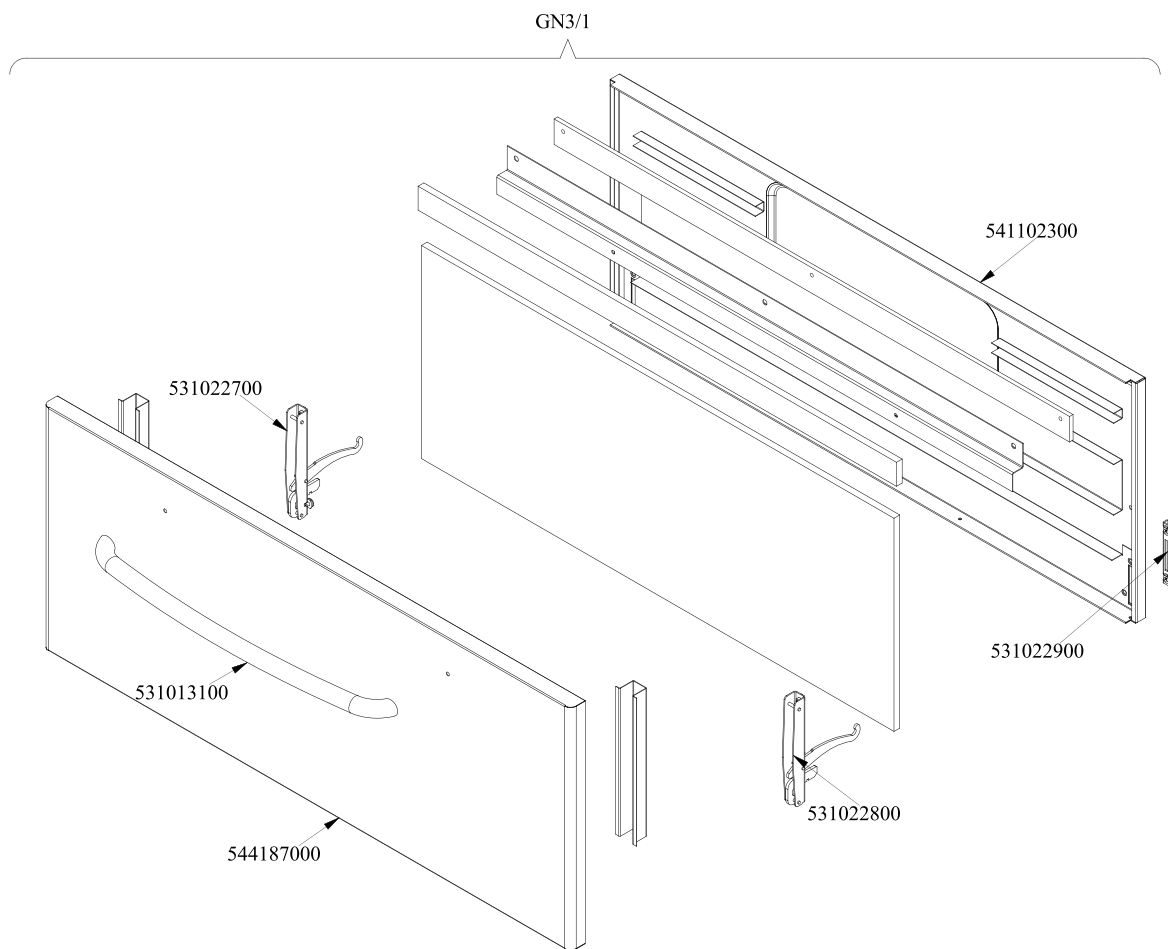


RM 700
 Platný od 1.5. 2019
 CF6-712GP

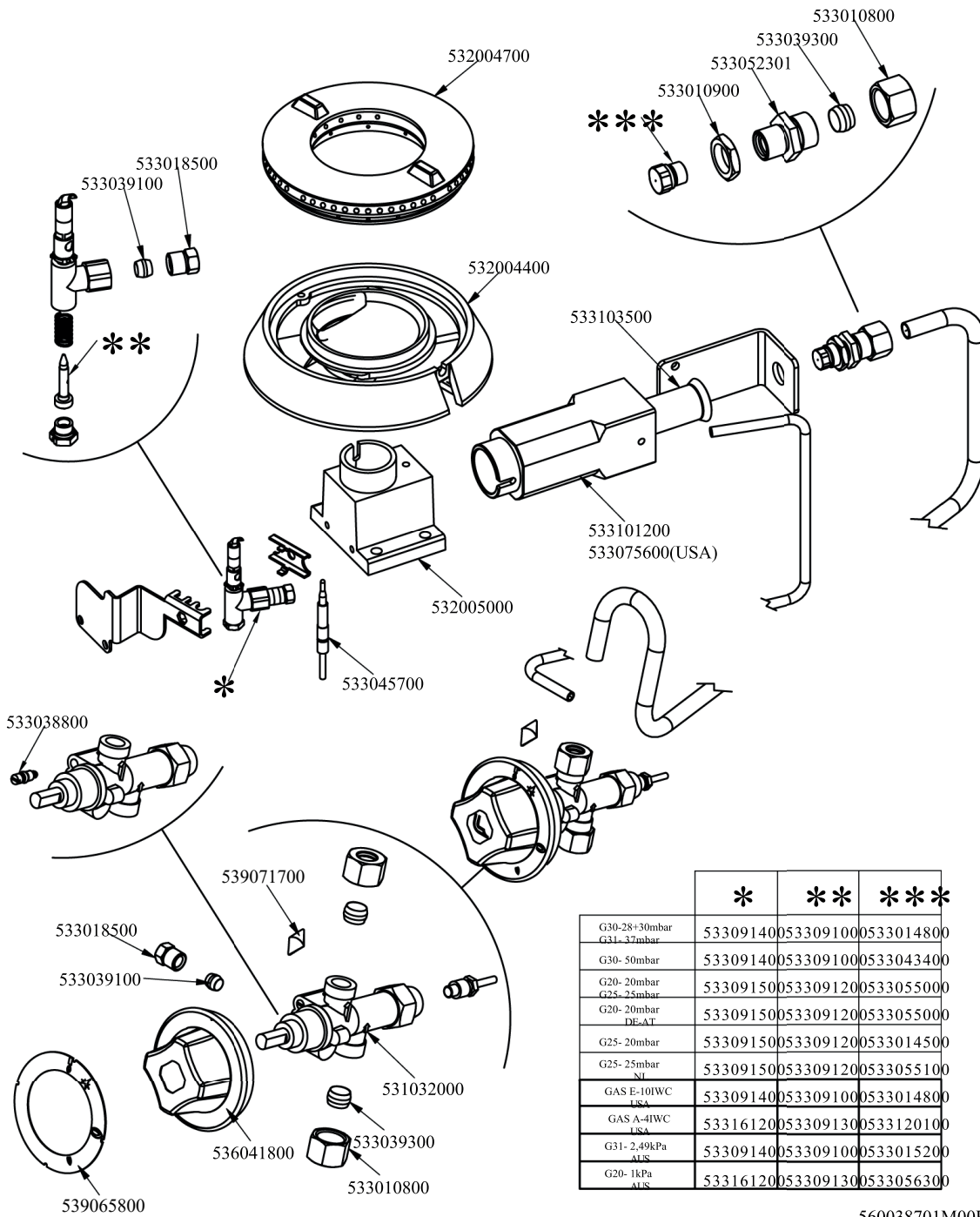




560099900M01P00



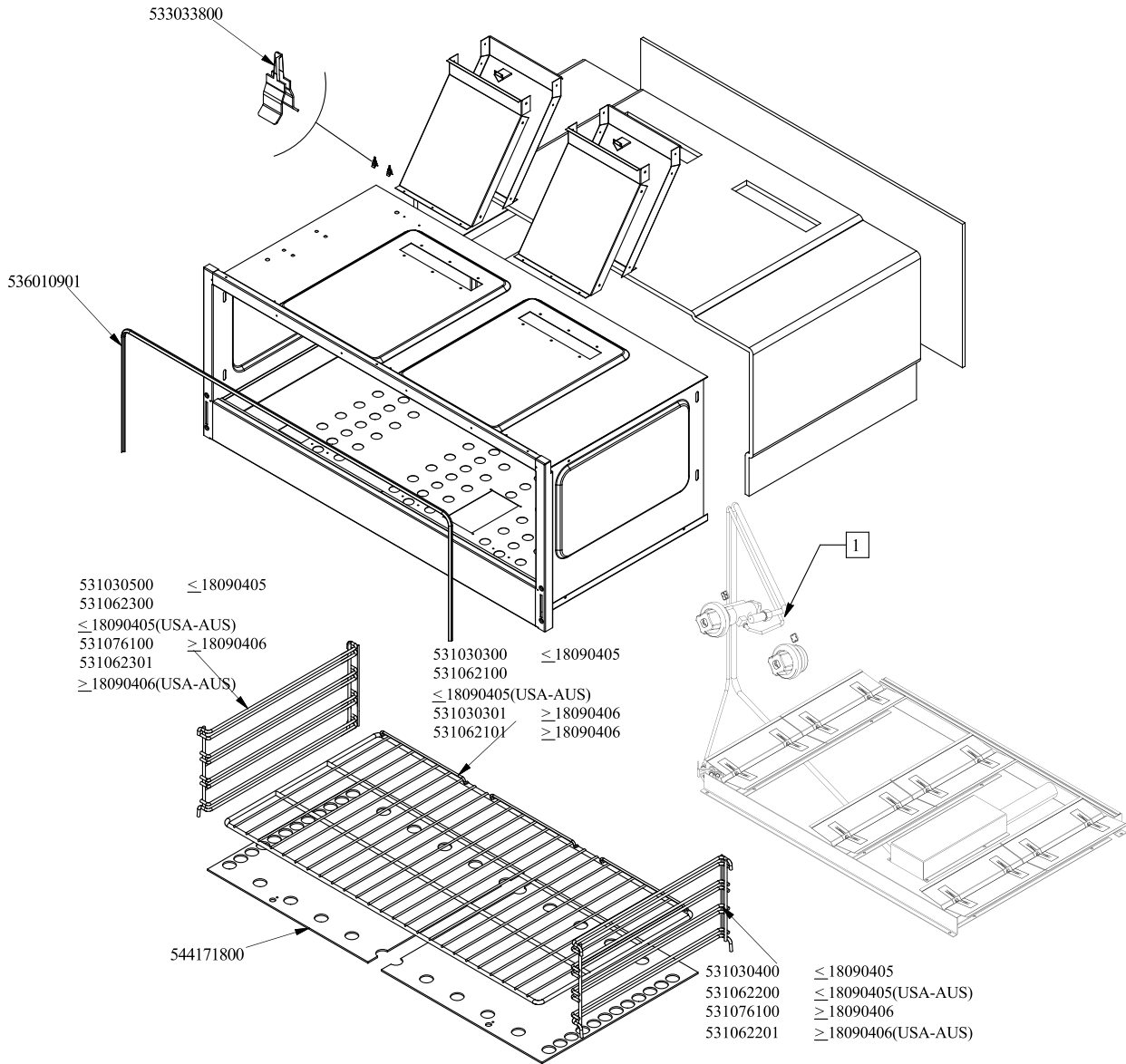
Objednací kód	Popis v ENG
541102300	GAS OVEN INNER DOOR GN 3/1 S.70
531022800	531022800N DOOR HINGE S.70
531022900	HINGE ROLLER HOLDER FOR 700-OVEN
531013100	OVEN DOOR HANDLE OF 70/90-LINE
531022700	LEFT OVEN DOOR HINGE 70LINE
544187000	OVEN DOOR GN 3/1 S.70



	*	**	***
G30-28+30mbar G31-37mbar	533091400	533091000	533014800
G30-50mbar	533091400	533091000	533043400
G20-20mbar G25-25mbar	533091500	533091200	533055000
G20-20mbar DE-AT	533091500	533091200	533055000
G25-20mbar	533091500	533091200	533014500
G25-25mbar NI	533091500	533091200	533055100
GAS E-10IWC USA	533091400	533091000	533014800
GAS A-4IWC USA	533161200	533091300	533120100
G31-2,49kPa AUS	533091400	533091000	533015200
G20-1kPa AUS	533161200	533091300	533056300



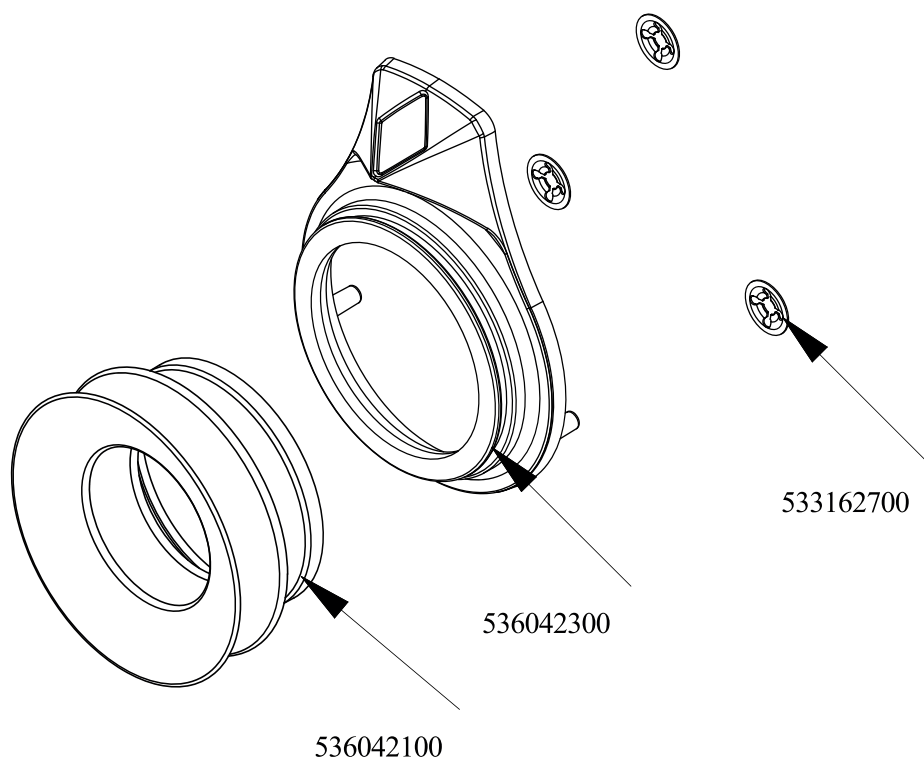
Objednací kód	Popis v ENG
533010900	NUT M14*1 H.4
533052301	JOINT FOR NOZZLE HOLDER
533039300	BICONE §10
533010800	TUBE NUT D.10 M16*1,5
532004400	BIG BURNER BODY 70LINE P.
532004700	BURNER COVER RING UR D128
533103500	AIR ADJUSTMENT BUSHING D22 EST.H57
532005000	ELBOW FITTING OF BURNER VENTURI UR
533039100	BICONE §6
533018500	FITTING FOR BICONE D.6 M10*1
533038800	75 BY-PASS FOR 21S TAP
533045700	THERMOCOUPLE M9*1 500
531032000	GAS COCK P.V.BY-PASS Ø075
539064700	ADHES.LABEL FOR RING GREEN SIGN.
536041800	SILVER CHROM. KNOB Ø77 4P.G.Ø08X6,5
539064700	BLACK STICKING DISK 72
533101200	BURNER VENTURI UR
533075600	BURNER VENTURI 7,5KW S70 USA
533091400	P.NOZZLE S100 UG.§20 PC90 LPG-FLUS
533091500	PILOT NOZZLE S.100 §30 PC90 NAT.GAS
533161200	
533091000	NOZZLE 0.100 §20
533091200	PILOT NOZZLE 0100 Ø35 PIL.PC
533091300	PILOT NOZZLE 0100 Ø40 PIL.PC
533014800	NOZZLE §135 CH12*14,0
533043400	NOZZLE §117 CH12*14 G-PC4 UR
533055000	NOZZLE §205 CH12*14 G25 CW4
533014500	NOZZLE §225 CH12*14 OVEN GN 2/1
533055100	NOZZLE §215 CH12*14 L-CW4
533120100	NOZZLE §210 CH12*14,0
533015200	NOZZLE §145 CH12*14 F-FP/CP6
533056300	NOZZLE §240 CH12*14



560012402M01P00



	Objednací kód	Popis v ENG
531030500		LHD SUPPORT GRID FOR OVEN OF 70LINE
531062300		LHD SUPPORT GRID FOR OVEN OF 70LINE
531076100		
531062301		
531030400		RHD SUPPORT GRID FOR OVEN OF 70LINE
531062200		RHD SUPPORT GRID FOR OVEN OF 70LINE
531062201		
531030300		OVEN GRID GN 3/1 FOR 70 LINE
531062100		OVEN GRID GN 3/1 FOR 70 LINE
531030301		
531062101		
544171800		BOTTOM FOR GAS OVEN GN3/1 70 LINE
533033800		LOCK SPRING FOR BULB §6



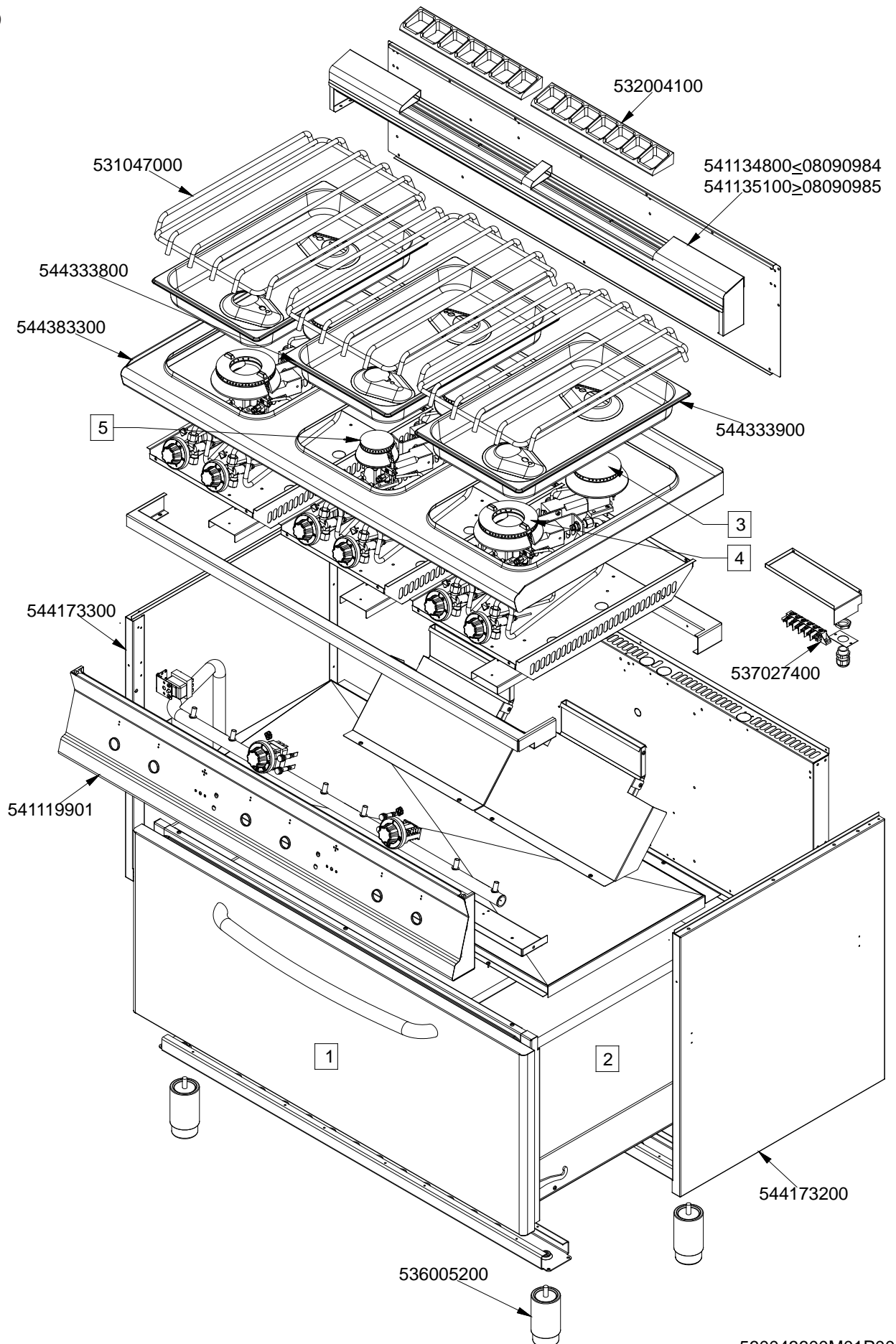
560125700M00P00



Objednačí kód	Popis v ENG
536042300	SILVER CHROM. RING FOR KNOB Ø77 4 P
536042100	SEAL CASING FOR KNOB Ø77 4 P
533162700	PROCESSING CODE



CF6 - 712 GE/P
 Platnost
 1.5.2016 do
 30.4.2019



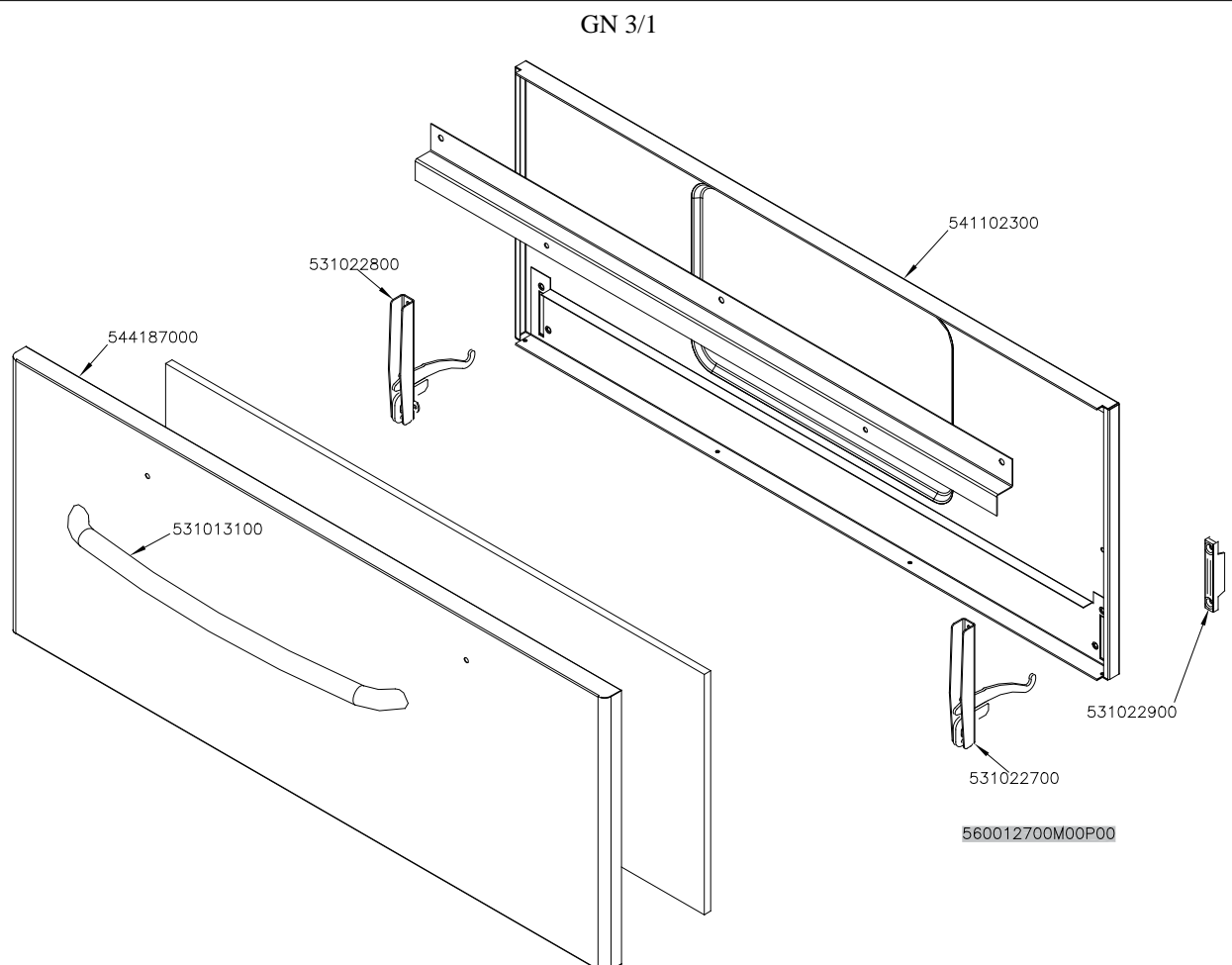
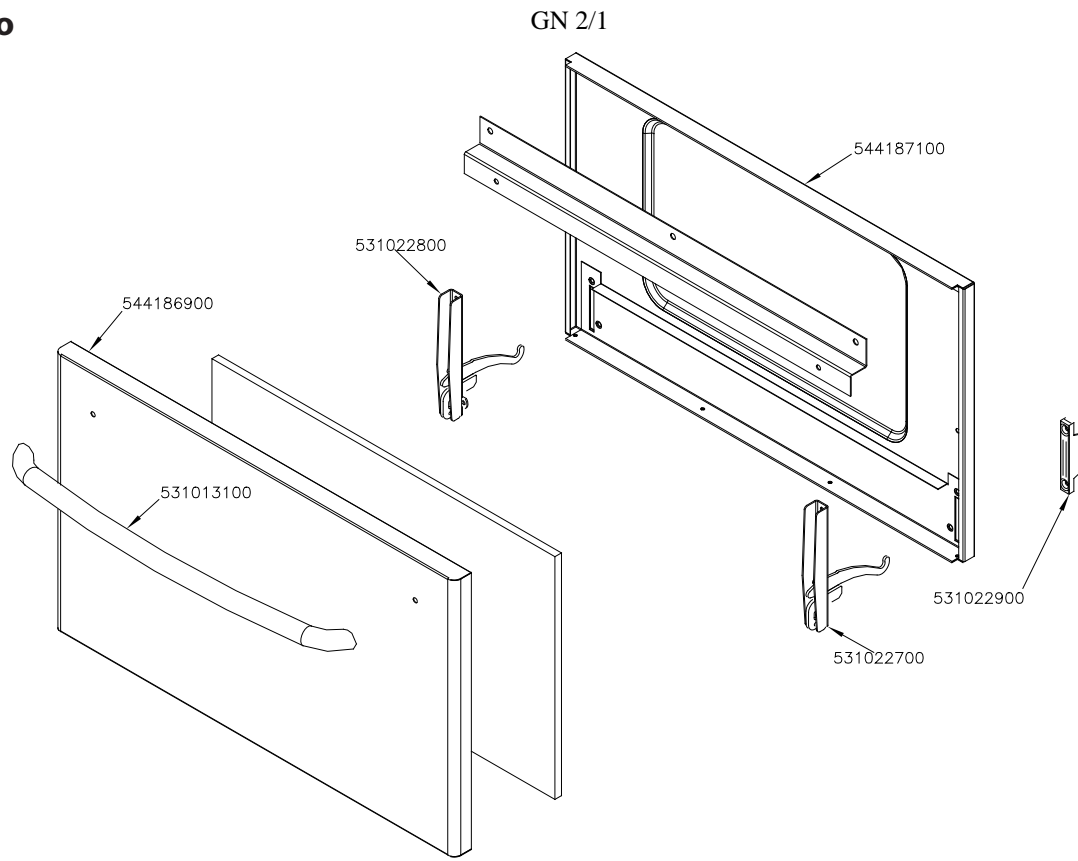
CF6 - 712 GE/P

(1)

Platnost

1.5.2016 do

30.4.2019



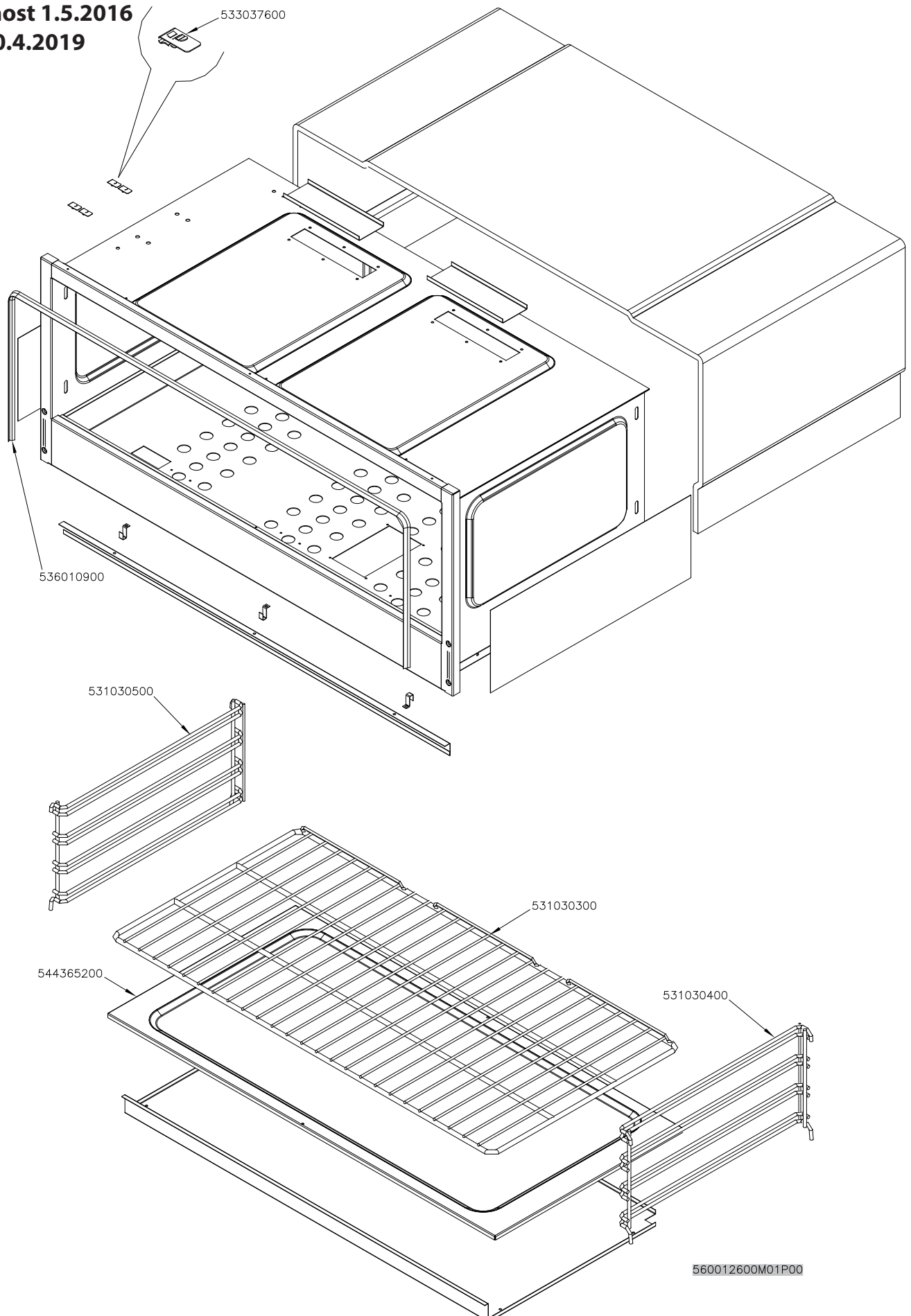


CF6 - 712 GE/P

(2)

Platnost 1.5.2016

do 30.4.2019



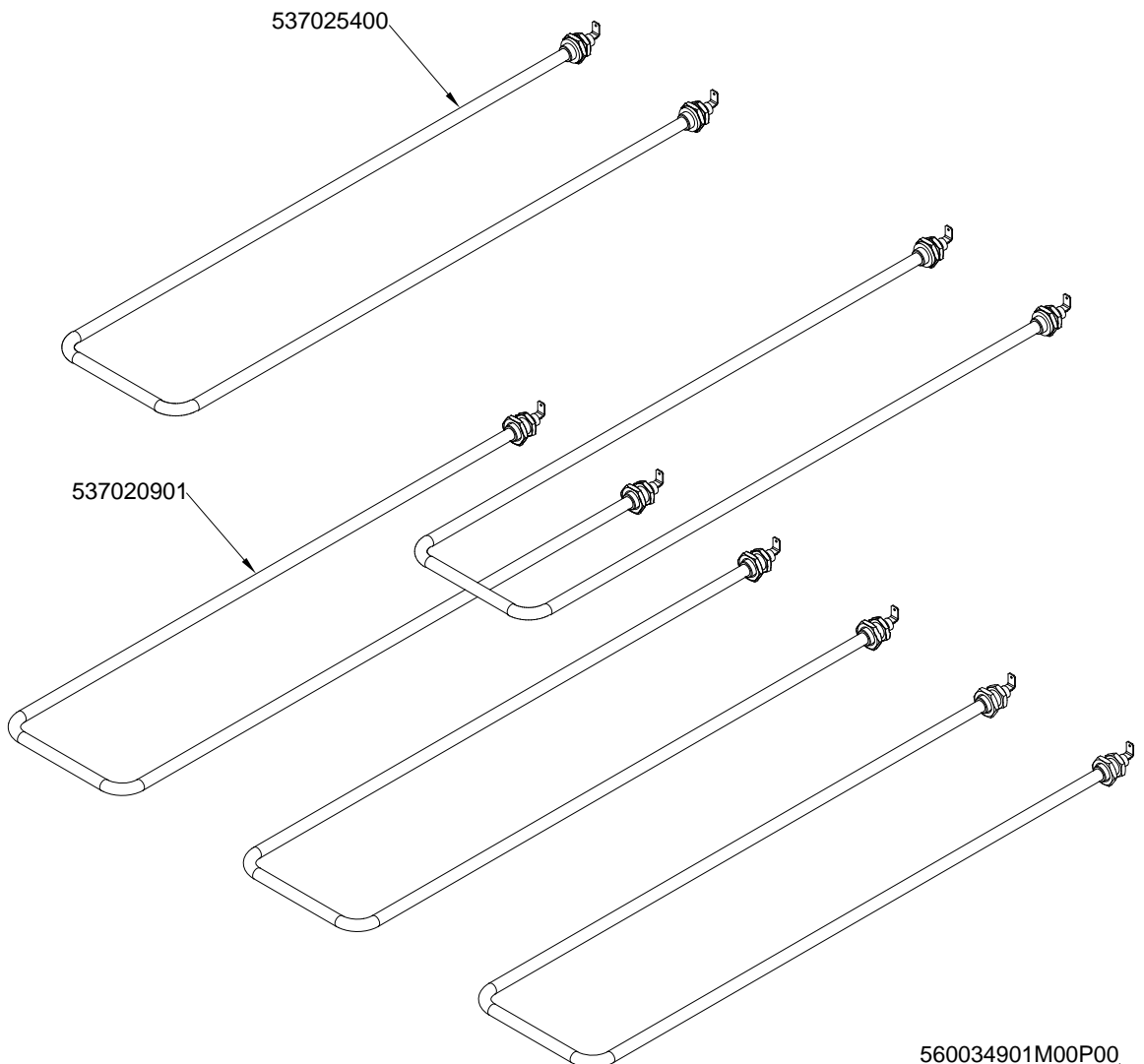
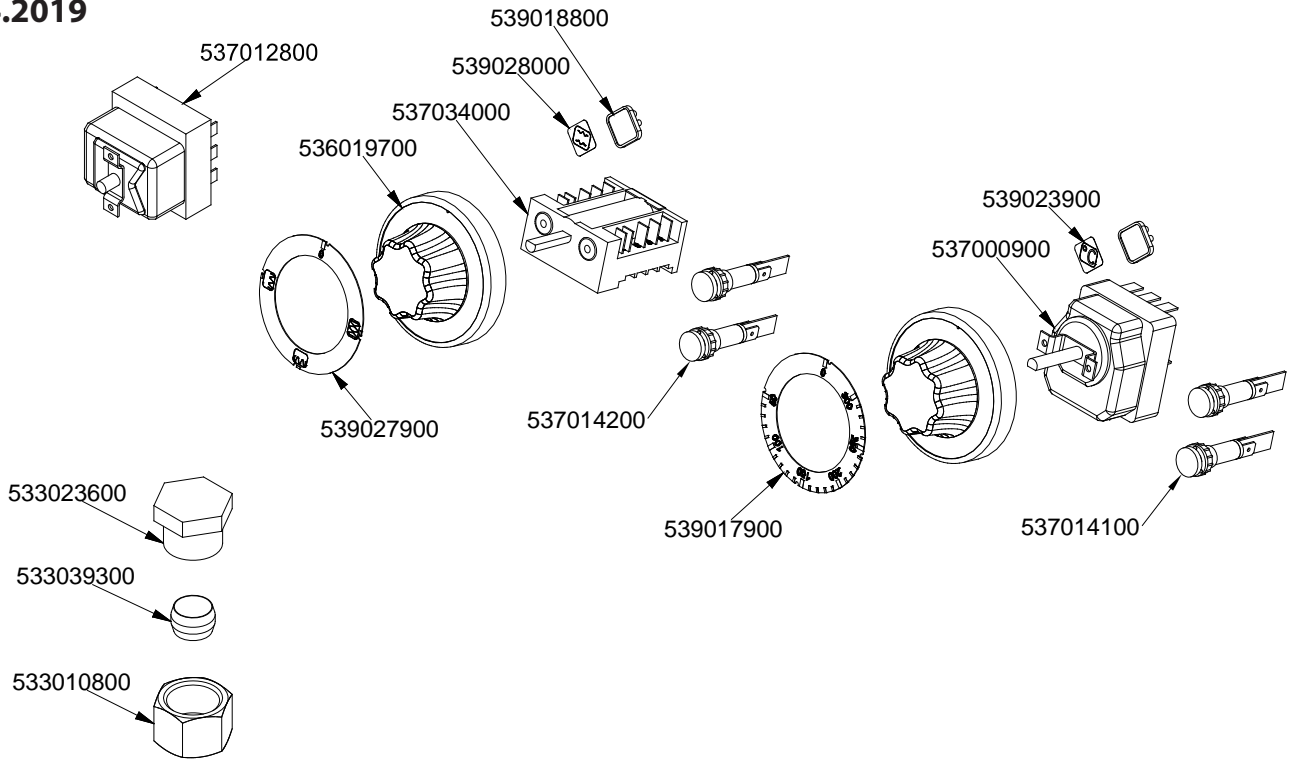


CF6 - 712 GE/P

Platnost

1.5.2016 do

30.4.2019





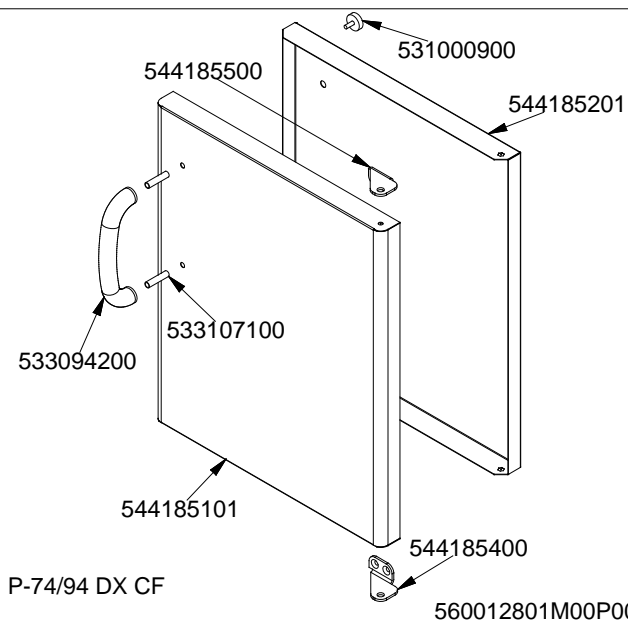
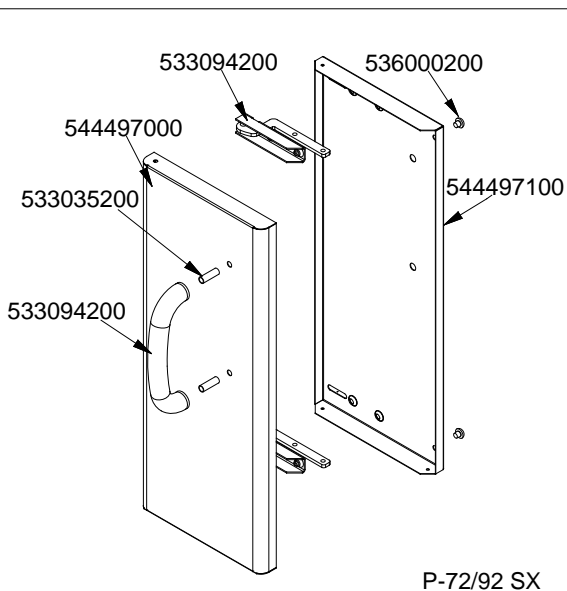
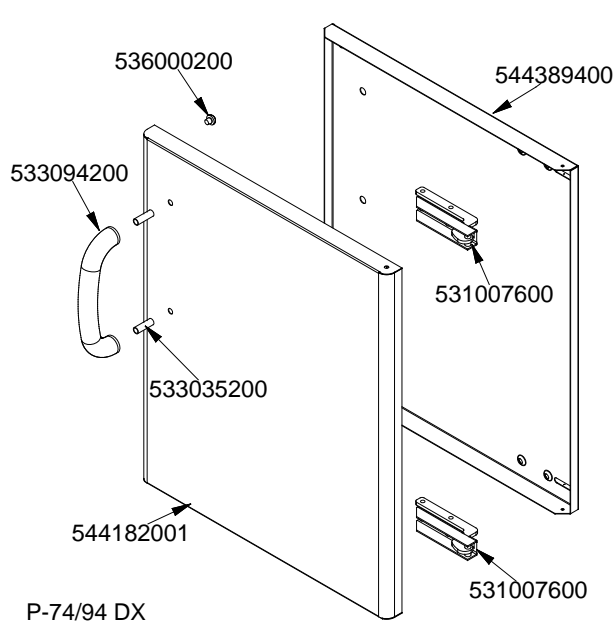
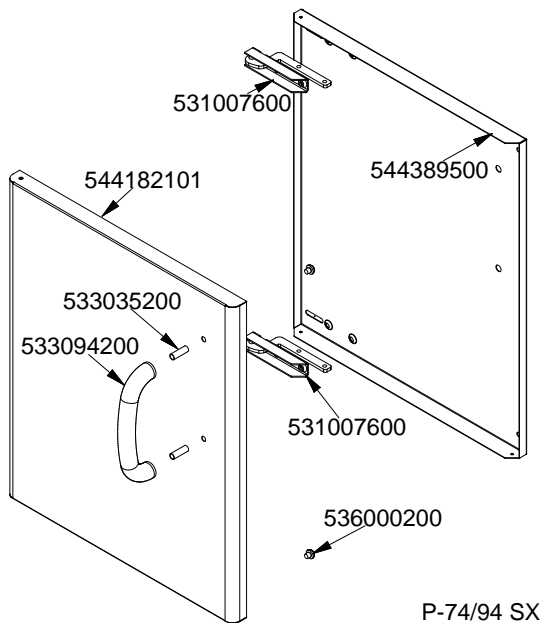
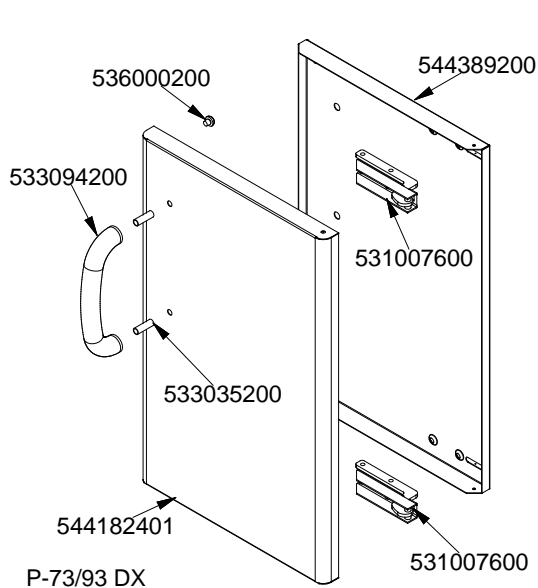
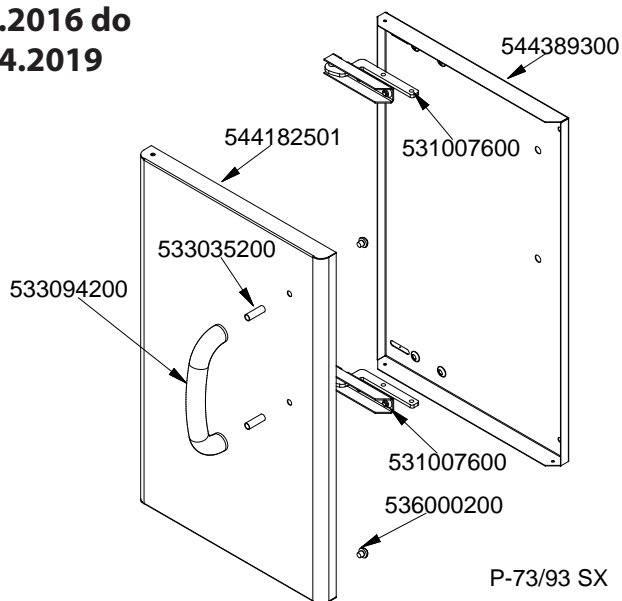
CF6 - 712 GE/P

(3)

Platnost

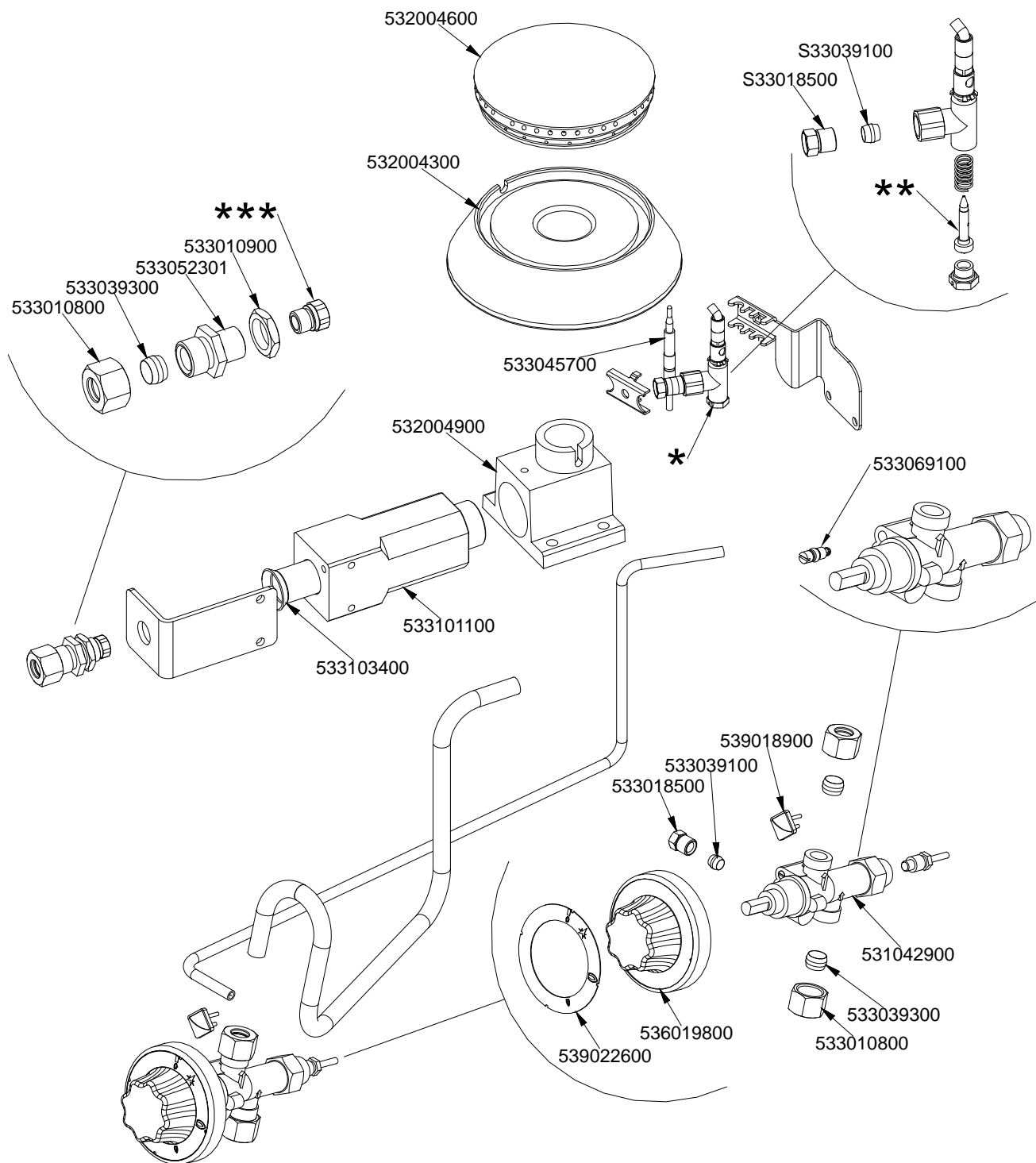
1.5.2016 do

30.4.2019





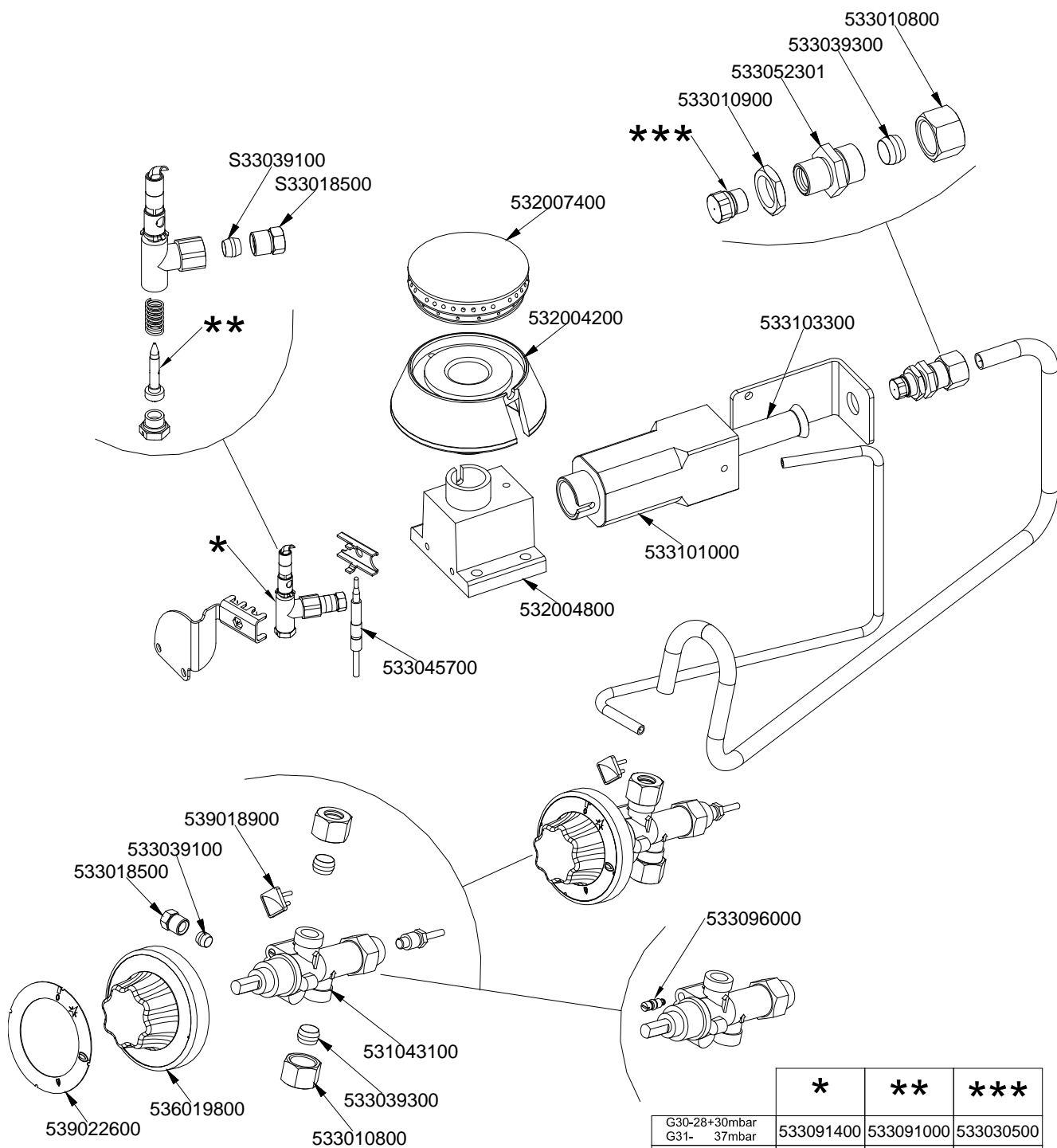
CF6 - 712 GE/P
 PC-G R
 (4)
 Platnost
 1.5.2016 do
 30.4.2019



	*	**	***
G30-28+30mbar G31- 37mbar	533091400	533091000	533043900
G30- 50mbar	533091400	533091000	533019300
G20- 20mbar G25- 25mbar	533091500	533091200	533031000
G20- 20mbar DE-AT	533091500	533091200	533031000
G25- 20mbar	533091500	533091200	533043500
G25- 25mbar NL	533091500	533091200	533019400



CF6 - 712 GE/P
 PC-G SR
 (5)
 Platnost
 1.5.2016 do
 30.4.2019



	*	**	***
G30-28+30mbar G31- 37mbar	533091400	533091000	533030500
G30- 50mbar	533091400	533091000	533015100
G20- 20mbar G25- 25mbar	533091500	533091200	533015200
G20- 20mbar DE-AT	533091500	533091200	533015200
G25- 20mbar	533091500	533091200	533030800
G25- 25mbar NL	533091500	533091200	533014900



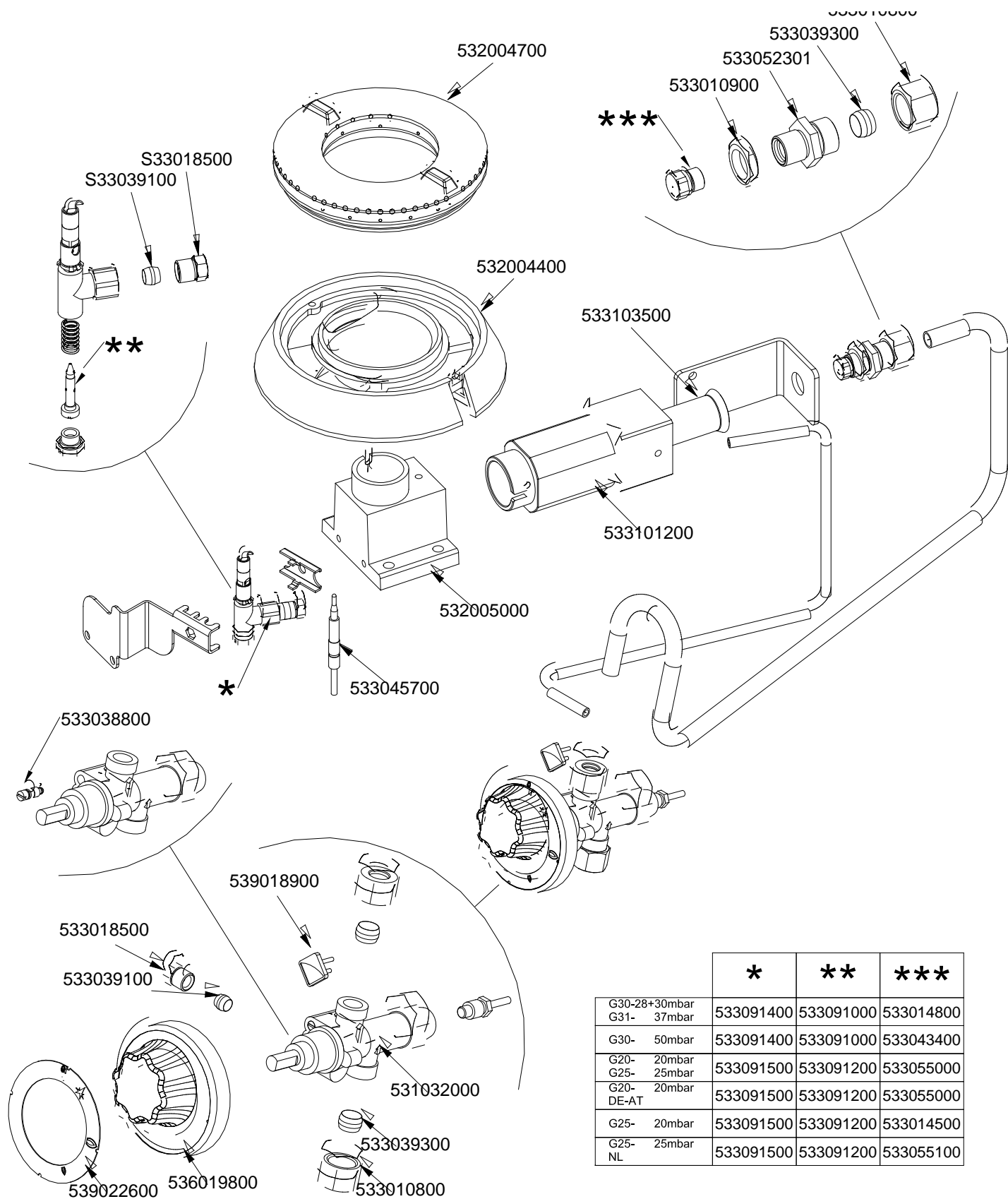
CF6 - 712 GE/P
PC-G UR

(6)

Platnost

1.5.2016 do

30.4.2019



	*	**	***
G30-28+30mbar G31- 37mbar	533091400	533091000	533014800
G30- 50mbar	533091400	533091000	533043400
G20- 20mbar G25- 25mbar	533091500	533091200	533055000
G20- 20mbar DE-AT	533091500	533091200	533055000
G25- 20mbar	533091500	533091200	533014500
G25- 25mbar NL	533091500	533091200	533055100