

Technical data sheet

Product features



Lava stone grill gas 38x66 on open cabinet

Model	SAP Code	00000409
--------------	-----------------	----------



- Grid size [mm x mm]: 380 x 660
- Removable rim: Yes
- Removable grid: Yes
- Ignition: Piezo+veÄŤnÄŤ plamen

SAP Code	00000409	Power gas [kW]	12.000
Net Width [mm]	400	Type of gas	Natural gas, propane butane
Net Depth [mm]	900	Grid size [mm x mm]	380 x 660
Net Height [mm]	900	Worktop type	Molded - comfortable cleaning maintenance
Net Weight [kg]	59.00		

Technical data sheet

Technical drawing

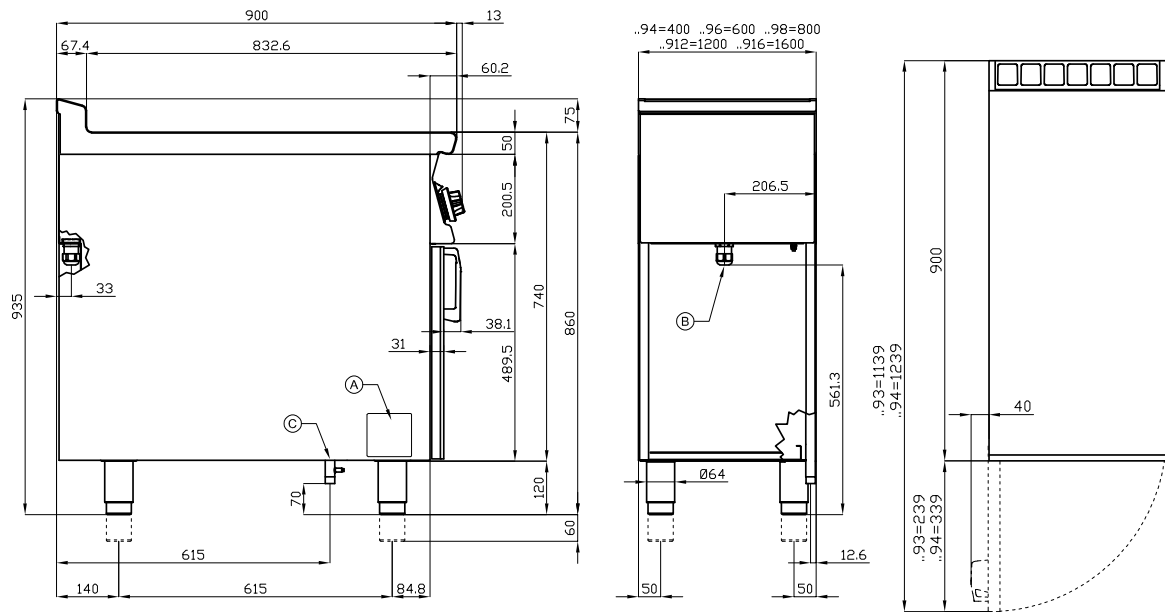


Lava stone grill gas 38x66 on open cabinet

Model

SAP Code

00000409



A	Data plate		C	Gas connection	ISO 7-1 1/2" M
---	------------	--	---	----------------	----------------

Technical data sheet

Technical parameters



Lava stone grill gas 38x66 on open cabinet

Model

SAP Code

00000409

1. SAP Code:

00000409

2. Net Width [mm]:

400

3. Net Depth [mm]:

900

4. Net Height [mm]:

900

5. Net Weight [kg]:

59.00

6. Gross Width [mm]:

430

7. Gross depth [mm]:

970

8. Gross Height [mm]:

1110

9. Gross Weight [kg]:

77.00

10. Device type:

Gas unit

11. Construction type of device:

With substructure

12. Power gas [kW]:

12.000

13. Ignition:

Piezo+veÄŤnÄŤ plamen

14. Type of gas:

Natural gas, propane butane

15. Protection of controls:

IPX5

16. Device color:

Stainless steel

17. Material:

AISI 304

18. Indicators:

operation and warm-up

19. Worktop type:

Molded - comfortable cleaning maintenance

20. Grid material:

Stainless steel

21. Safety thermocouple:

Yes

22. Adjustable feet:

Yes

23. Removable device container:

Yes

24. Removable rim:

Yes

25. Removable grid:

Yes

26. Grid size [mm x mm]:

380 x 660

27. Uniform heating:

Yes