

Technical data sheet

Product features



Cooking range solid top gas with static gas oven GN 1/1 - 5x burner

Model	SAP Code	00004681
--------------	-----------------	----------



- Device type: Gas unit
- Power consumption of the zone 1 [kW]: 5,5
- Power consumption of the zone 2 [kW]: 3,5
- Power consumption of the zone 3 [kW]: 3,5
- Ignition: Electric
- Type of internal part of the appliance 1 (eg oven): Gas
- Type of internal part of the appliance 2 (eg oven): With a grill
- Protection of controls: IPX5
- Material: AISI 304 top plate and cladding

SAP Code	00004681	Power consumption of the zone 1 [kW]	5,5
Net Width [mm]	1000	Power consumption of the zone 2 [kW]	3,5
Net Depth [mm]	600	Power consumption of the zone 3 [kW]	3,5
Net Height [mm]	900	Type of internal part of the appliance 1 (eg oven)	Gas
Net Weight [kg]	155.00	Type of internal part of the appliance 2 (eg oven)	With a grill
Power electric [kW]	0.015	Width of internal part [mm]	640
Loading	230 V / 1N - 50 Hz	Depth of internal part [mm]	390
Power gas [kW]	27.500	Height of internal part [mm]	350
Type of gas	Natural gas, propane butane	Solid top dimensions [mm x mm]	15
Number of zones	3		

Technical data sheet

Technical drawing

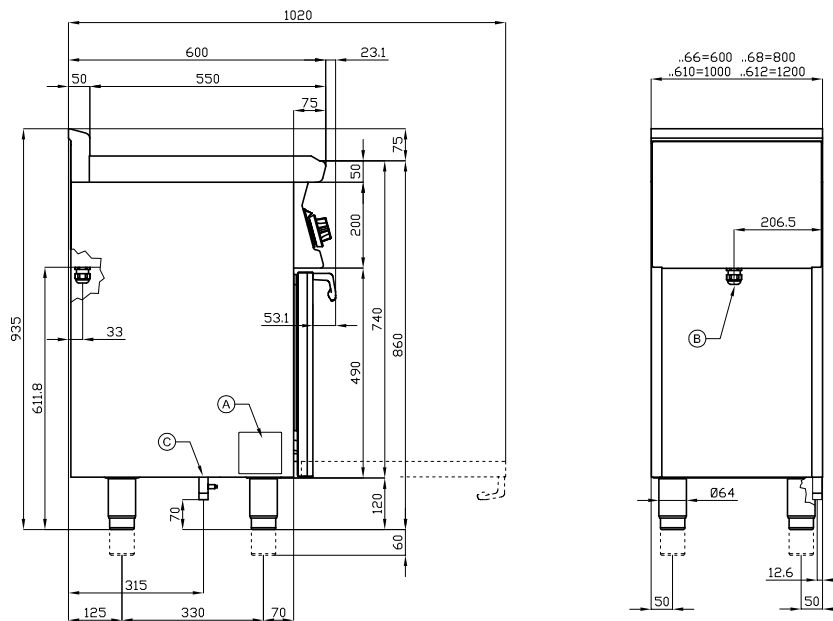


Cooking range solid top gas with static gas oven GN 1/1 - 5x burner

Model

SAP Code

00004681



A	Data plate		B	Electrical connection	
C	Gas connection	ISO 7-1 1/2" M			

Technical data sheet

Product benefits



Cooking range solid top gas with static gas oven GN 1/1 - 5x burner

Model

SAP Code

00004681

1

Massive construction of burners

- high performance and efficiency
- brass burners removable
- eternal flame
- long life
- demountable
- energy saving (perfect combustion)
- time saving for food preparation
- easy maintenance/cleaning

2

Hygienic moldings of the top plate

- absence of sharp corners and edges (potential places where dirt could stick)
- smooth transitions
- easy quick cleaning

3

Degree of protection of the control elements IPX5

- maintenance-free system
- resistance to splash water
- long life
- savings on service interventions
- easy cleaning and maintenance of equipment

4

All-stainless design

- the material does not cut
- wear resistance of the material
- long life
- savings on service interventions
- easy cleaning and maintenance of equipment

5

Safety element – thermocouple

- safe operation for personnel
- there is no overheating and damage to the thallus
- long life
- savings on service interventions
- easier and faster operation

6

Piezoelectric ignition

- instant flame ignition
- there is no unnecessary gas leakage
- long life
- savings on service interventions
- easier and faster operation

7

Massive thal

- 15mm material ensures even distribution of heat and heating of the product (heat several pots at the same time at the same temperature)
- material resistance
- long life
- time saving
- ease of operation
- savings on service interventions

8

Large electric oven with four positions for racks with static cooking

- static baking
- high capacity and variability
- all-stainless design
- suitable for yeast dishes and desserts
- long service life
- easy to clean

Technical data sheet

Technical parameters



Cooking range solid top gas with static gas oven GN 1/1 - 5x burner

Model

SAP Code

00004681

1. SAP Code:

00004681

2. Net Width [mm]:

1000

3. Net Depth [mm]:

600

4. Net Height [mm]:

900

5. Net Weight [kg]:

155.00

6. Gross Width [mm]:

1030

7. Gross depth [mm]:

670

8. Gross Height [mm]:

1110

9. Gross Weight [kg]:

165.00

10. Device type:

Gas unit

11. Construction type of device:

With substructure

12. Power electric [kW]:

0.015

13. Loading:

230 V / 1N - 50 Hz

14. Power gas [kW]:

27.500

15. Ignition:

Electric

16. Type of gas:

Natural gas, propane butane

17. Protection of controls:

IPX5

18. Device color:

Stainless steel

19. Material:

AISI 304 top plate and cladding

20. Worktop Thickness [mm]:

1.00

21. Number of zones:

3

22. Power consumption of the zone 1 [kW]:

5,5

23. Power consumption of the zone 2 [kW]:

3,5

24. Power consumption of the zone 3 [kW]:

3,5

25. Number of power control stages:

6

26. Service accessibility:

Trough the frontal panel

27. Safety thermocouple:

Yes

28. Safety thermostat up to x ° C:

360

Technical data sheet

Technical parameters



Cooking range solid top gas with static gas oven GN 1/1 - 5x burner

Model

SAP Code

00004681

29. Adjustable feet:

Yes

38. Maximum temperature of the inner chamber [°C]:

300

30. Number of burners/hot plates:

5

39. Minimum temperature of the inner chamber [°C]:

150

31. Type of gas cooking zones:

Thales + Cast iron burners

40. Inner ignition:

Electric

32. Oven size:

640 x 390 x 350

41. Number of internal parts:

4

33. Type of internal part of the appliance 1 (eg oven):

Gas

42. Solid top thickness [mm]:

15

34. Type of internal part of the appliance 2 (eg oven):

With a grill

43. Solid top dimensions [mm x mm]:

15

35. Width of internal part [mm]:

640

44. Solid top material:

chrome-molybdenum

36. Depth of internal part [mm]:

390

45. Solid top ignition:

Piezo

37. Height of internal part [mm]:

350