

# Technical data sheet

## Product features



### Bain marie electric GN 2/1 - 150 with cabinet

Model

SAP Code

00000070



- Drain type: Through the substructure with connection to waste
- Drain: Yes
- Safety drain: Yes
- Material: Stainless steel
- Protection of controls: IPX5
- Maximum device temperature [°C]: 90

<b>SAP Code</b>	00000070	<b>Power electric [kW]</b>	4.200
<b>Net Width [mm]</b>	800	<b>Loading</b>	400 V / 3N - 50 Hz
<b>Net Depth [mm]</b>	705	<b>Number of GN / EN</b>	1
<b>Net Height [mm]</b>	900	<b>GN / EN size in device</b>	GN 2/1
<b>Net Weight [kg]</b>	51.00	<b>GN device depth</b>	150

# Technical data sheet

Technical drawing

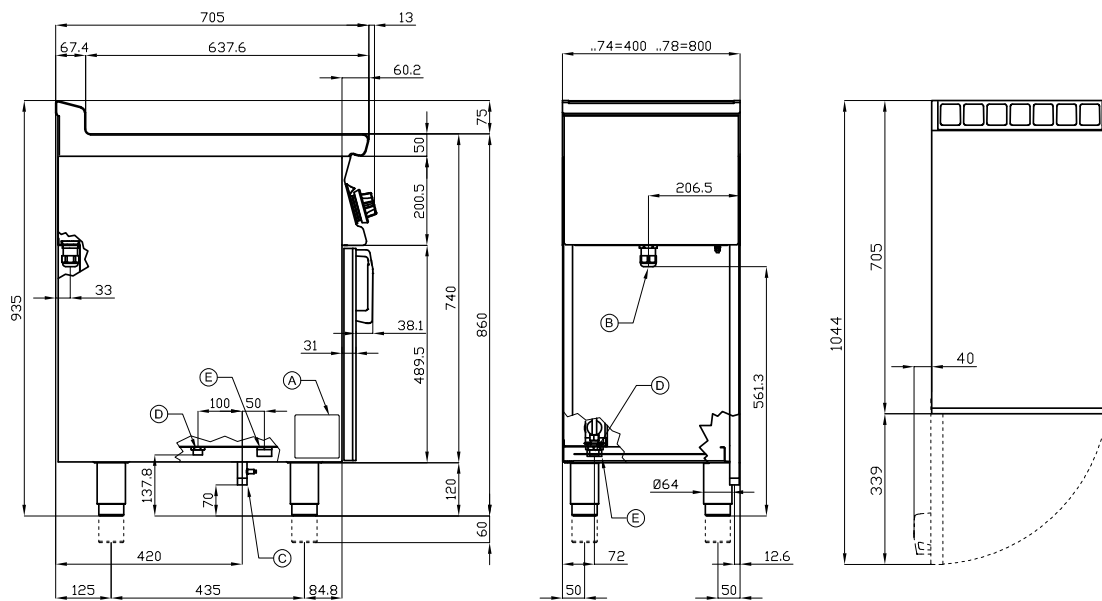


## Bain marie electric GN 2/1 - 150 with cabinet

Model

SAP Code

00000070



A	Data plate		B	Electrical connection	
D	Cold water connection	ISO 7-1 1/2" M	E	Water drainage	ISO 7-1 1" M

# Technical data sheet

Product benefits



## Bain marie electric GN 2/1 - 150 with cabinet

Model

SAP Code

0000070

1

### Deep-draft bathtubs

basins without sharp transitions, edges and corners

- easy maintenance
- perfect sanitation

2

### All-stainless steel construction

harmless to health for contact with food  
robustness

- perfect sanitation
- long service life

3

### Drain valve with snap-on elbow for easy draining

safer placement of the drain valve

- valve location and use of an elbow and safety lock prevent unintentional contact and possible scalding

# Technical data sheet

Technical parameters



## Bain marie electric GN 2/1 - 150 with cabinet

**Model**

**SAP Code**

00000070

**1. SAP Code:**

00000070

**2. Net Width [mm]:**

800

**3. Net Depth [mm]:**

705

**4. Net Height [mm]:**

900

**5. Net Weight [kg]:**

51.00

**6. Gross Width [mm]:**

830

**7. Gross depth [mm]:**

770

**8. Gross Height [mm]:**

1110

**9. Gross Weight [kg]:**

61.00

**10. Device type:**

Electric unit

**11. Construction type of device:**

With substructure

**12. Power electric [kW]:**

4.200

**13. Loading:**

400 V / 3N - 50 Hz

**14. Protection of controls:**

IPX5

**15. Material:**

Stainless steel

**16. Indicators:**

operation and warm-up

**17. Drain valve diameter:**

3/4"

**18. Worktop type:**

Molded - comfortable cleaning maintenance

**19. Maximum device temperature [°C]:**

90

**20. Minimum device temperature [°C]:**

30

**21. Service accessibility:**

Trough the frontal panel

**22. Safety element:**

safety element – thermocouple  
outlet safety fuse

**23. Safety thermostat:**

Yes

**24. Adjustable feet:**

Yes

**25. Additional information:**

lid and gastro utensils are not included in the package  
door not included can be purchased

**26. Number of basins:**

1

# Technical data sheet

Technical parameters



## Bain marie electric GN 2/1 - 150 with cabinet

**Model**

**SAP Code**

0000070

**27. Drain type:**

Through the substructure with connection to waste

**31. GN / EN size in device:**

GN 2/1

**28. Drain:**

Yes

**32. GN device depth:**

150

**29. Safety drain:**

Yes

**33. Drain connection:**

Yes

**30. Number of GN / EN:**

1