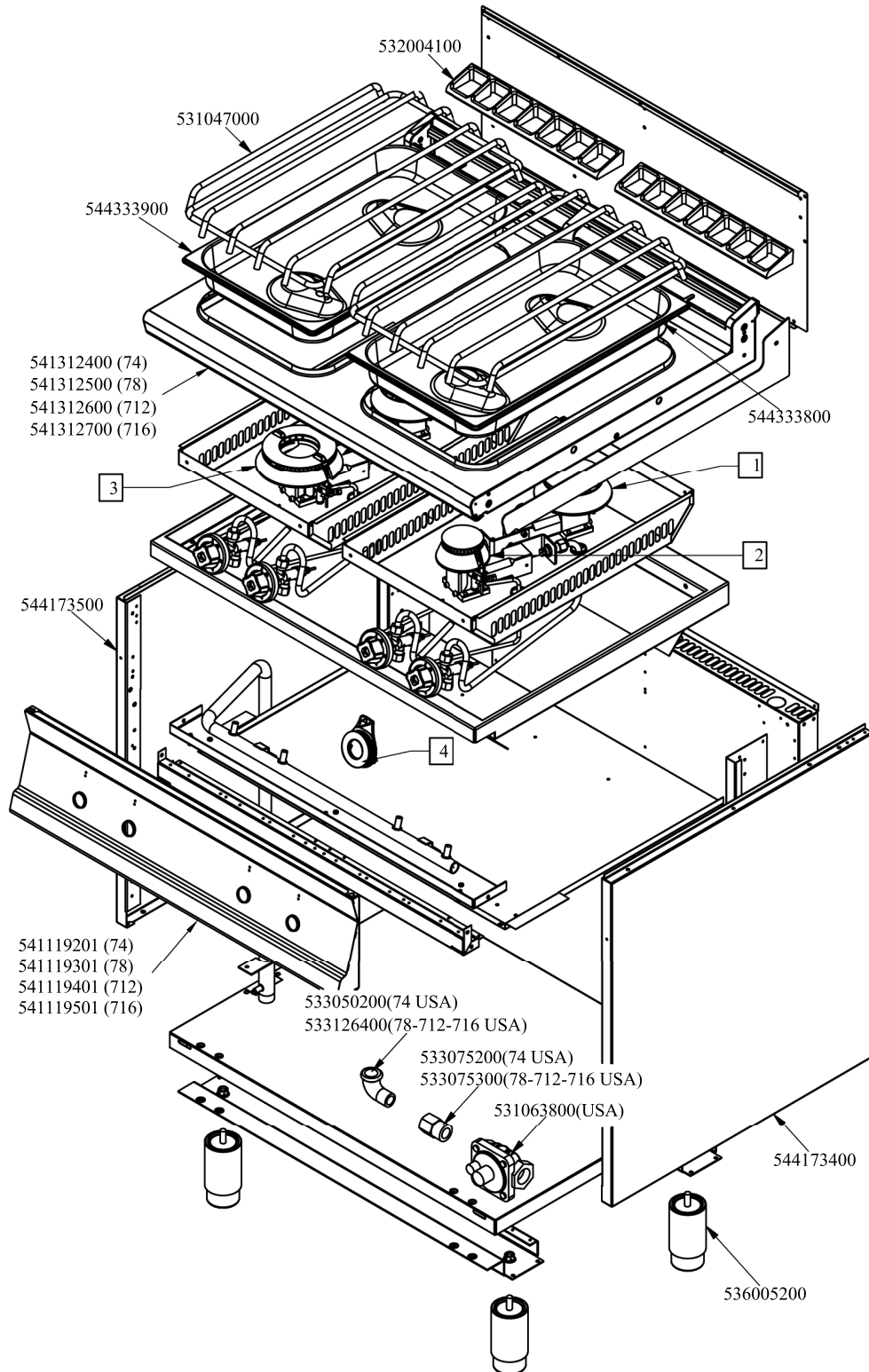


RM 700

Platný od 1.5. 2019

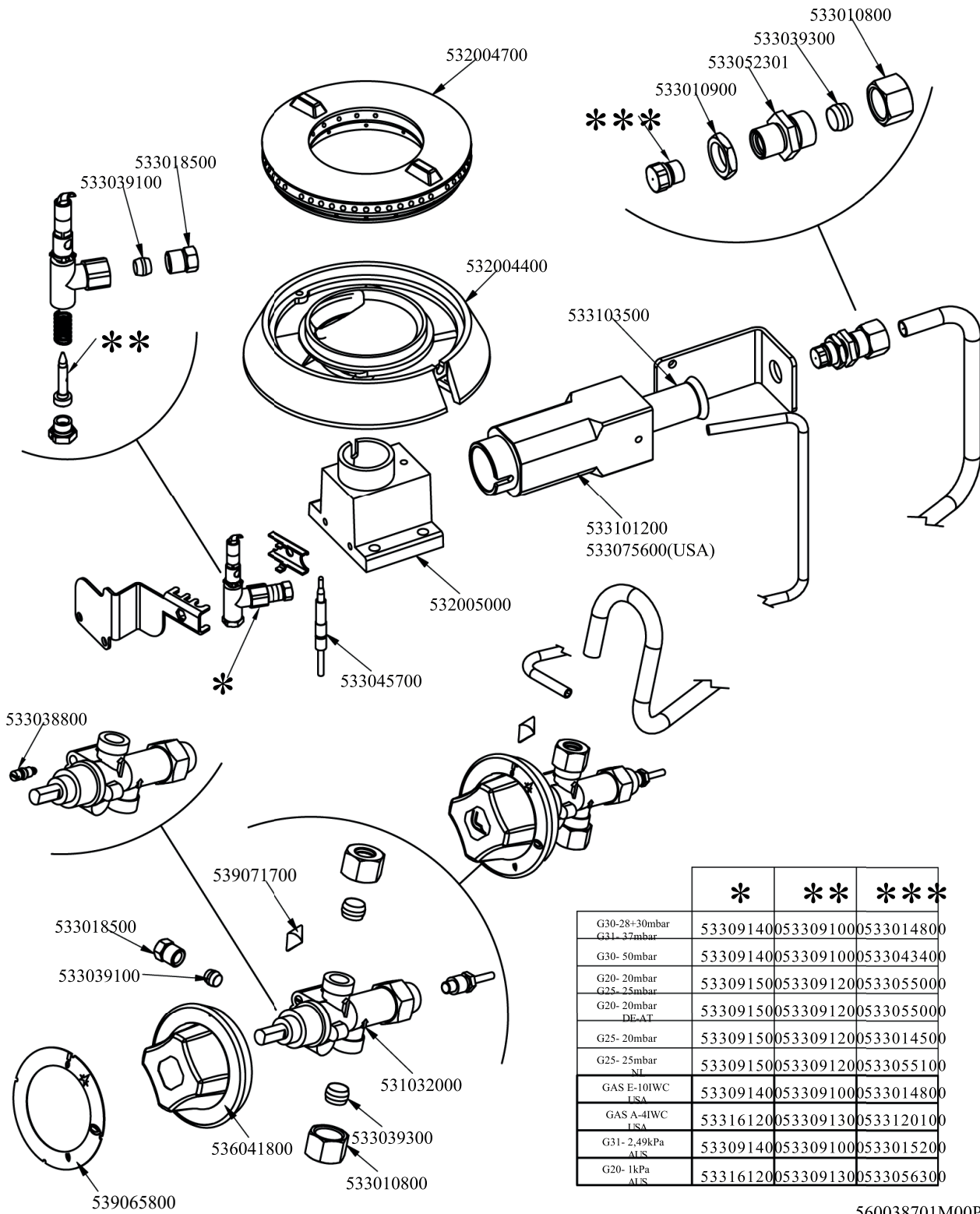
PC-74GP, PC-78GP, PC-712GP, PC-716GP



560038301M00P00



Objednací kód	Popis v ENG
541119501	
544173500	LEFT SIDE PANEL S.70
531047000	2 BURNER GRID FOR PC-700
544333900	BURNER CONTAINER 1/1GN R 304
544173400	RIGHT SIDE PANEL S.70
544333800	BURNER CONTAINER 1/1GN R 304
536005200	INOX LEG 2" 120-180 M10
532004100	FLUE GRID L=370 90LINE (RAF)
541312700	
-	-
-	-
-	-
-	-

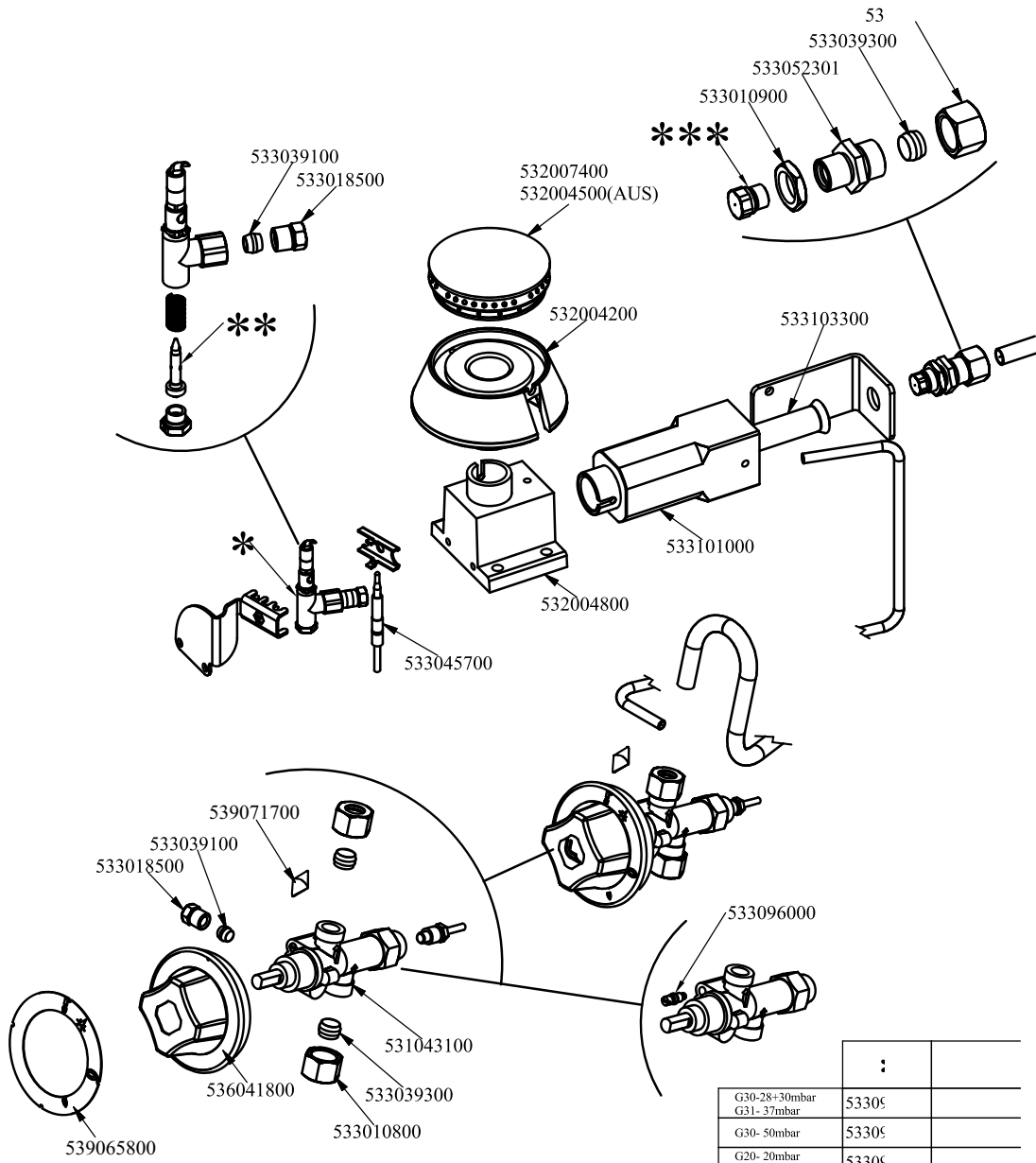




Objednací kód	Popis v ENG
533010900	NUT M14*1 H.4
533052301	JOINT FOR NOZZLE HOLDER
533039300	BICONE §10
533010800	TUBE NUT D.10 M16*1,5
532004400	BIG BURNER BODY 70LINE P.
532004700	BURNER COVER RING UR D128
533103500	AIR ADJUSTMENT BUSHING D22 EST.H57
532005000	ELBOW FITTING OF BURNER VENTURI UR
533039100	BICONE §6
533018500	FITTING FOR BICONE D.6 M10*1
533038800	75 BY-PASS FOR 21S TAP
533045700	THERMOCOUPLE M9*1 500
531032000	GAS COCK P.V.BY-PASS Ø075
539071700	ADHES.LABEL FOR RING GREEN SIGN.
536041800	SILVER CHROM. KNOB Ø77 4P.G.Ø08X6,5
539065800	BLACK STICKING DISK 72
533101200	BURNER VENTURI UR
533075600	BURNER VENTURI 7,5KW S70 USA
533091400	P.NOZZLE S100 UG.§20 PC90 LPG-FLUS
533091500	PILOT NOZZLE S.100 §30 PC90 NAT.GAS
533161200	
533091000	NOZZLE 0.100 §20
533091200	PILOT NOZZLE 0100 Ø35 PIL.PC
533091300	PILOT NOZZLE 0100 Ø40 PIL.PC
533014800	NOZZLE §135 CH12*14,0
533043400	NOZZLE §117 CH12*14 G-PC4 UR
533055000	NOZZLE §205 CH12*14 G25 CW4
533014500	NOZZLE §225 CH12*14 OVEN GN 2/1
533055100	NOZZLE §215 CH12*14 L-CW4
533120100	NOZZLE §210 CH12*14,0
533015200	NOZZLE §145 CH12*14 F-FP/CP6
533056300	NOZZLE §240 CH12*14



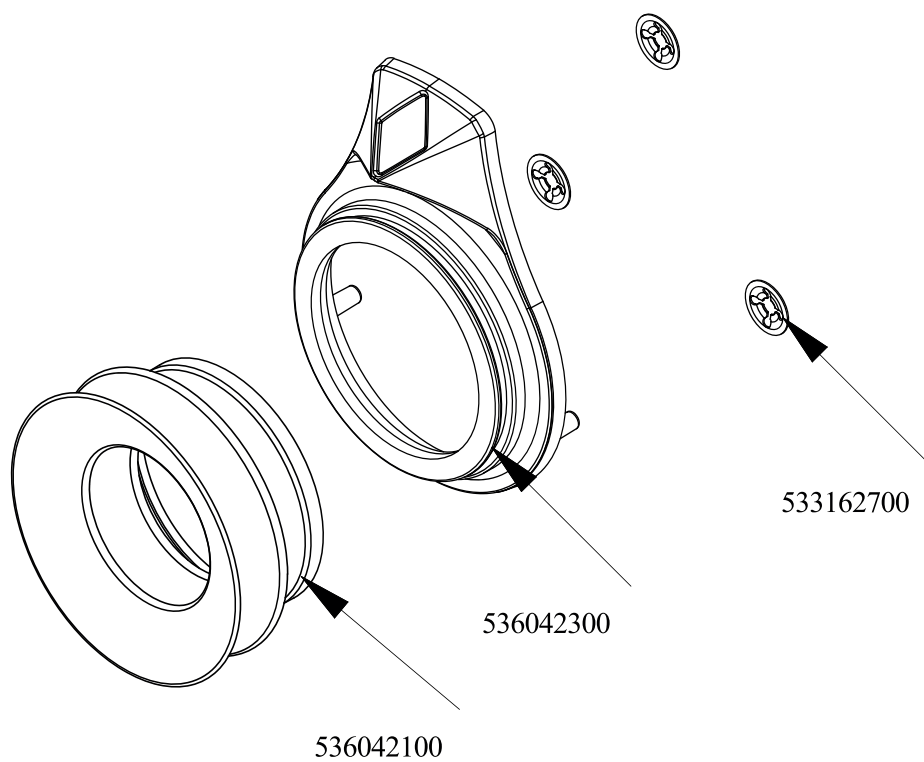
Objednačí kód	Popis v ENG
533069100	BY PASS COCK §60 20S
533103400	AIR ADJUSTMENT BUSHING D20 EST.H57
533018500	FITTING FOR BICONE D.6 M10*1
533039100	BICONE §6
539071700	ADHES.LABEL FOR RING GREEN SIGN.
533010800	TUBE NUT D.10 M16*1,5
533039300	BICONE §10
533052301	JOINT FOR NOZZLE HOLDER
533010900	NUT M14*1 H.4
532004600	BURNER COVER RING R D104
532004300	MIDDLE BURNER BODY 70LINE P.
532004900	ELBOW FITTING OF BURNER VENTURI R
531042900	B.PASS §60 SAFETY COCK PC/CF 90
536041800	SILVER CHROM. KNOB Ø77 4P.G.Ø08X6,5
533045700	THERMOCOUPLE M9*1 500
533039400	THERMOCOUPLE M9*1*850
539065800	BLACK STICKING DISK 72
533101100	BURNER VENTURI R
533075500	BURNER VENTURI 5,5KW S70 USA
533091400	P.NOZZLE S100 UG.§20 PC90 LPG-FLUS
533091500	PILOT NOZZLE S.100 §30 PC90 NAT.GAS
533161200	
533091000	NOZZLE 0.100 §20
533091200	PILOT NOZZLE 0100 Ø35 PIL.PC
533091300	PILOT NOZZLE 0100 Ø40 PIL.PC
533043900	NOZZLE §115 CH12*14 F-CW4
533019300	NOZZLE §100 G-FQ5 F-CW
533031000	NOZZLE §175 CH12X14
533043500	NOZZLE §190 CH12*14 G25 PC4R
533019400	NOZZLE §180 CH12*14 L-FQ5
533043200	NOZZLE §110 G30 (LPG) CH12X14
533043100	NOZZLE §185 G25 CH12X14



	;	
G30-28+30mbar G31-37mbar	5330€	
G30-50mbar	5330€	
G20-20mbar G25-25mbar	5330€	
G20-20mbar DE-AT	5330€	
G25-20mbar	5330€	
G25-25mbar NL	5330€	
G31-2,49kPa AUS	5330€	
G20-1kPa AUS	5331€	



Objednačí kód	Popis v ENG
533096000	§50 BY-PASS COCK 20S-21S
533045700	THERMOCOUPLE M9*1 500
533039100	BICONE §6
533018500	FITTING FOR BICONE D.6 M10*1
539071700	ADHES.LABEL FOR RING GREEN SIGN.
532004200	SMALL BURNER BODY 70LINE P.
532004800	ELBOW FITTING OF BURNER VENTURI SR
533101000	BURNER VENTURI SR
533103300	AIR ADJUSTMENT BUSHING D16 EST.H57
533010900	NUT M14*1 H.4
533052301	JOINT FOR NOZZLE HOLDER
533039300	BICONE §10
533010800	TUBE NUT D.10 M16*1,5
531043100	B.PASS §50 SAFETY COCK PC/CF 70
536041800	SILVER CHROM. KNOB Ø77 4P.G.Ø08X6,5
539065800	BLACK STICKING DISK 72
532007400	BURNER COVER RING Ø073 4 Z
532004500	BURNER COVER RING SR D73
533091400	P.NOZZLE S100 UG.§20 PC90 LPG-FLUS
533091500	PILOT NOZZLE S.100 §30 PC90 NAT.GAS
533161200	
533091000	NOZZLE 0.100 §20
533091200	PILOT NOZZLE 0100 Ø35 PIL.PC
533091300	PILOT NOZZLE 0100 Ø40 PIL.PC
533030500	NOZZLE §90 CH12X14 G30/CE
533015100	NOZZLE §80 CH12*14 F-FP/CP6
533015200	NOZZLE §145 CH12*14 F-FP/CP6
533030800	NOZZLE §155 CH12X14 M-CW
533014900	NOZZLE §150 CH12*14 F-FQ5 L-FQ6
533019300	NOZZLE §100 G-FQ5 F-CW
533030300	NOZZLE §160 CH12*14 M-FPG



560125700M00P00



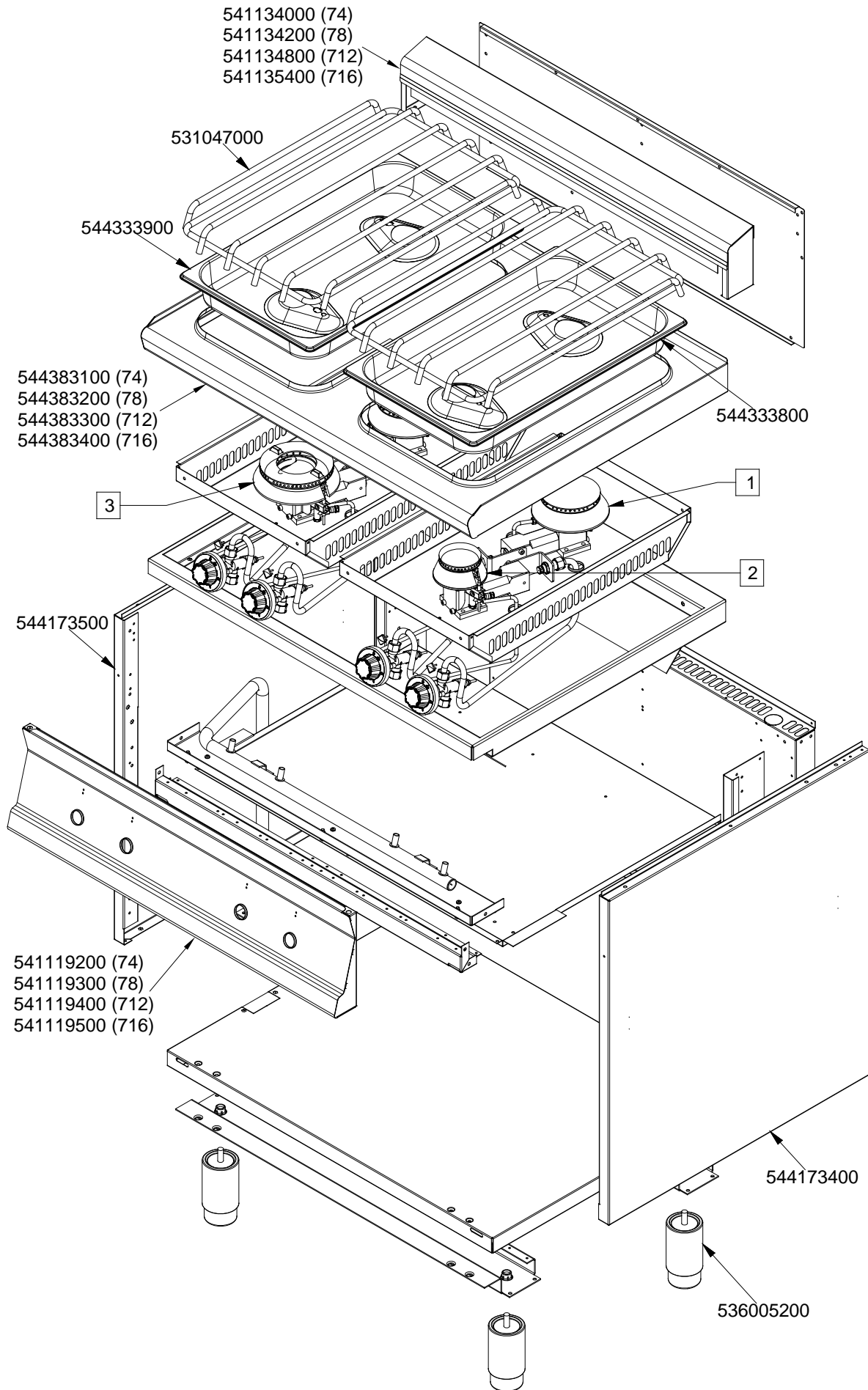
Objednačí kód	Popis v ENG
536042300	SILVER CHROM. RING FOR KNOB Ø77 4 P
536042100	SEAL CASING FOR KNOB Ø77 4 P
533162700	PROCESSING CODE



PC - 74 GP, PC - 78 GP, PC - 712 GP, PC - 716 GP

Platný od 1.5.2016

do 30.4.2019





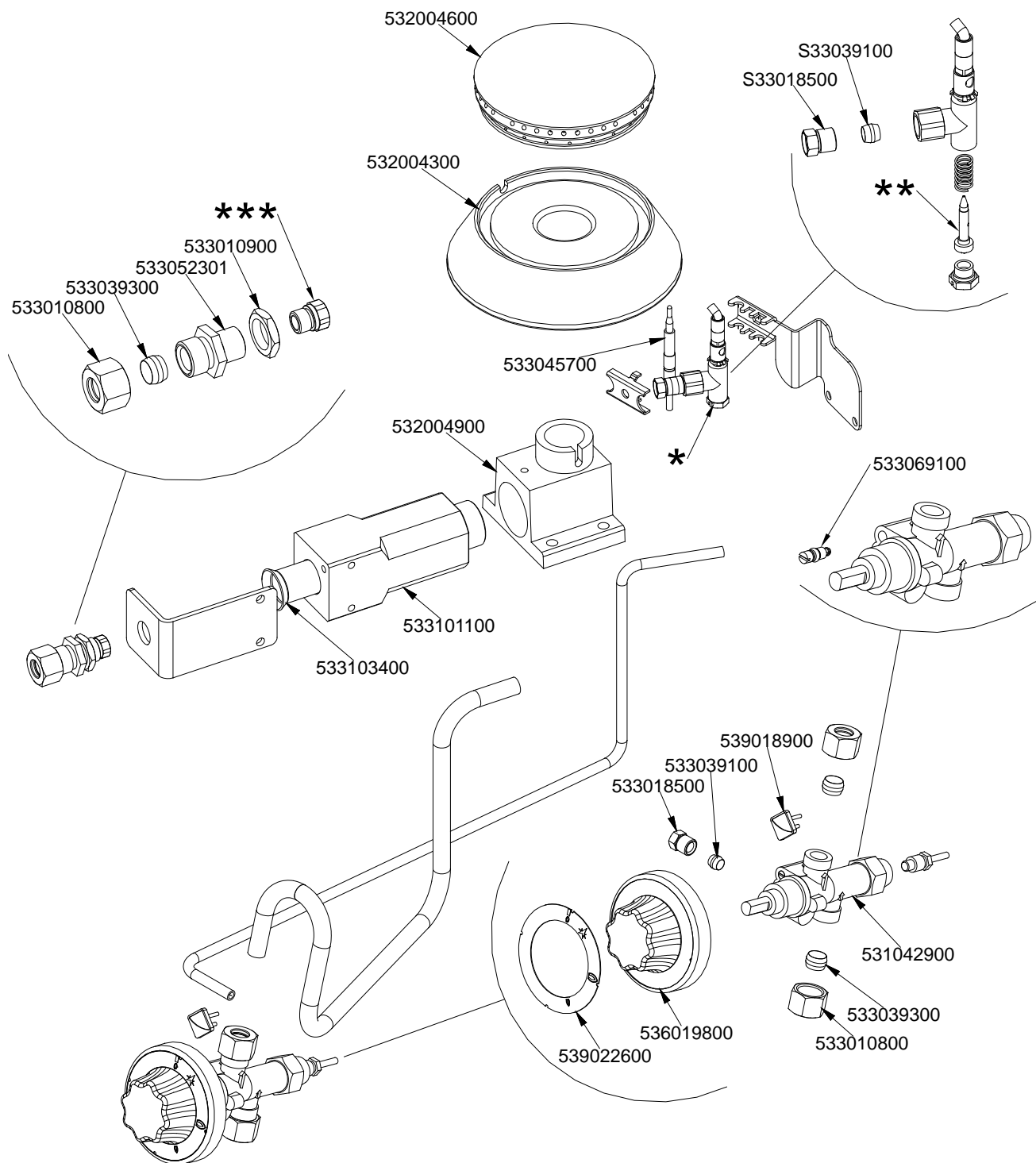
PC - 74 GP, PC - 78 GP, PC - 712 GP, PC - 716 GP

PC-G R

(1)

Platný od 1.5.2016

do 30.4.2019



	*	**	***
G30-28+30mbar G31- 37mbar	533091400	533091000	533043900
G30- 50mbar	533091400	533091000	533019300
G20- 20mbar G25- 25mbar	533091500	533091200	533031000
G20- 20mbar DE-AT	533091500	533091200	533031000
G25- 20mbar	533091500	533091200	533043500
G25- 25mbar NL	533091500	533091200	533019400



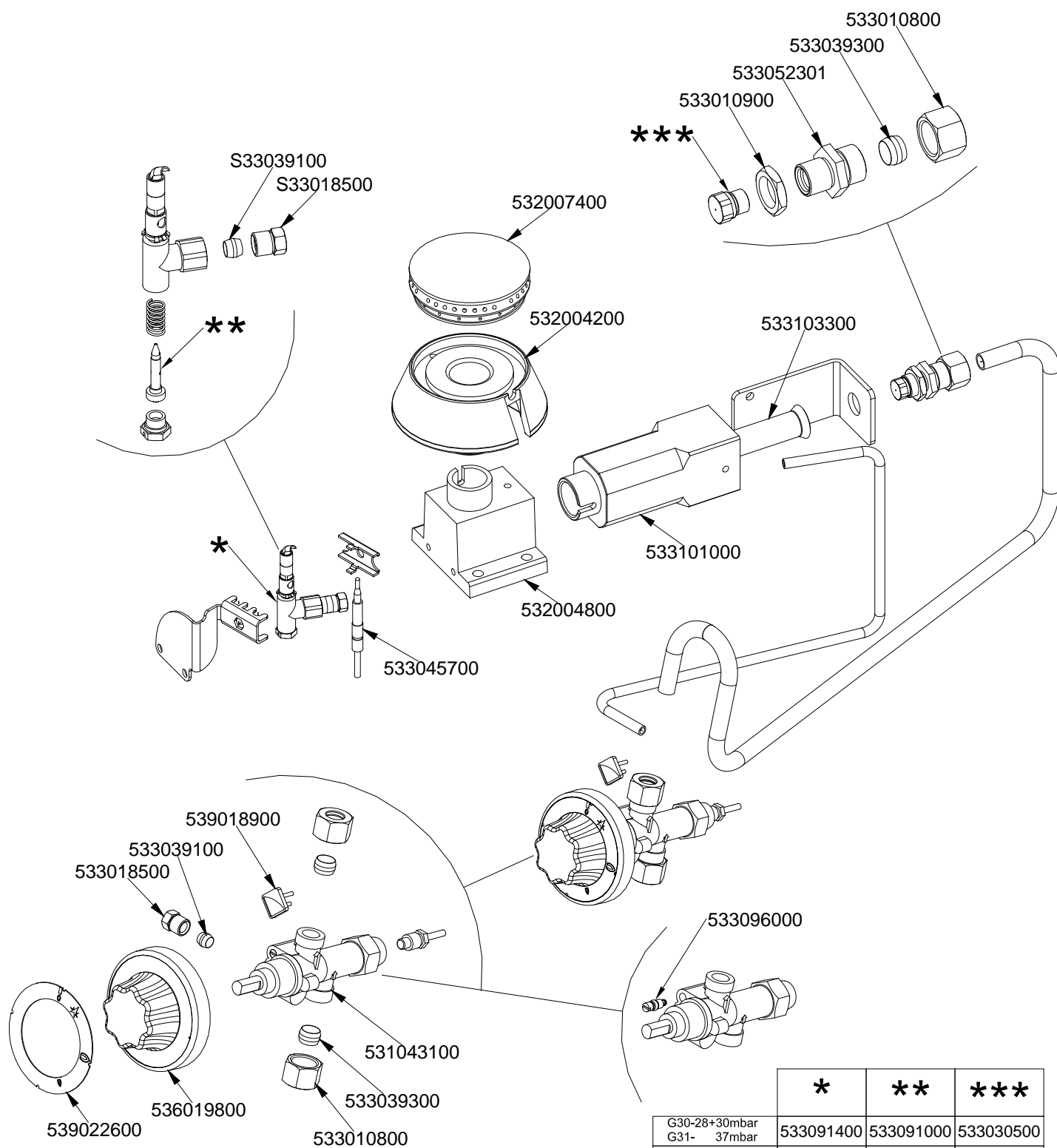
PC - 74 GP, PC - 78 GP, PC - 712 GP, PC - 716 GP

PC-G SR

(2)

Platný od 1.5.2016

do 30.4.2019



	*	**	***
G30-28+30mbar G31- 37mbar	533091400	533091000	533030500
G30- 50mbar	533091400	533091000	533015100
G20- 20mbar G25- 25mbar	533091500	533091200	533015200
G20- 20mbar DE-AT	533091500	533091200	533015200
G25- 20mbar	533091500	533091200	533030800
G25- 25mbar NL	533091500	533091200	533014900



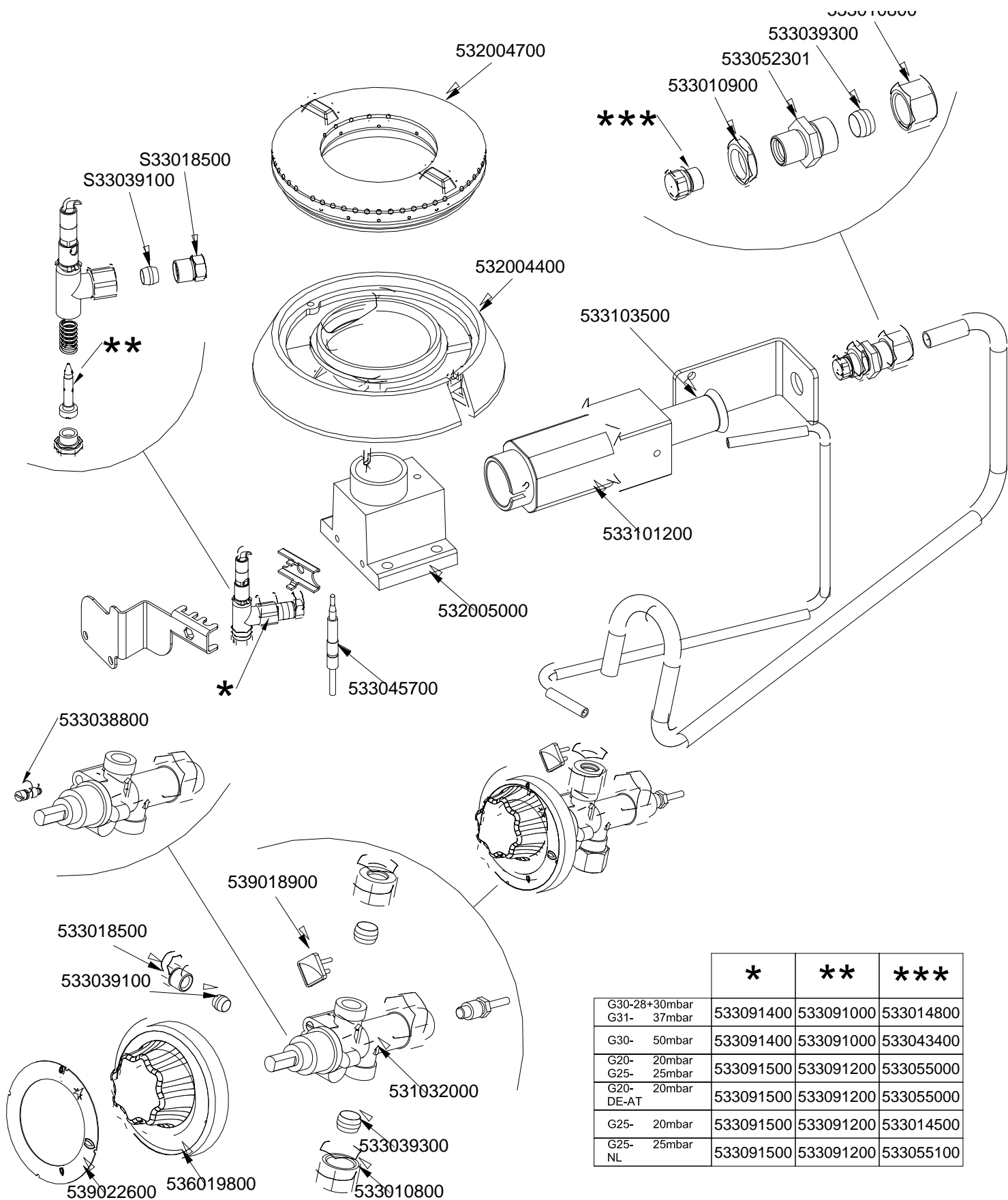
PC - 74 GP, PC - 78 GP, PC - 712 GP, PC - 716 GP

PC-G UR

(3)

Platný od 1.5.2016

do 30.4.2019



	*	**	***
G30-28+30mbar G31- 37mbar	533091400	533091000	533014800
G30- 50mbar	533091400	533091000	533043400
G20- 20mbar G25- 25mbar	533091500	533091200	533055000
G20- 20mbar DE-AT	533091500	533091200	533055000
G25- 20mbar	533091500	533091200	533014500
G25- 25mbar NL	533091500	533091200	533055100