

Technical data sheet

Product features



Electric grill water indirect 38x66 on open cabinet 400 V

Model	SAP Code	00011386
--------------	-----------------	----------



- Grid size [mm x mm]: 380 x 660
- Removable rim: Yes
- Removable grid: Yes

SAP Code	00011386	Power electric [kW]	5.400
Net Width [mm]	400	Loading	400 V / 3N - 50 Hz
Net Depth [mm]	900	Grid size [mm x mm]	380 x 660
Net Height [mm]	900	Worktop type	Molded - comfortable cleaning maintenance
Net Weight [kg]	69.00		

Technical data sheet

Technical drawing

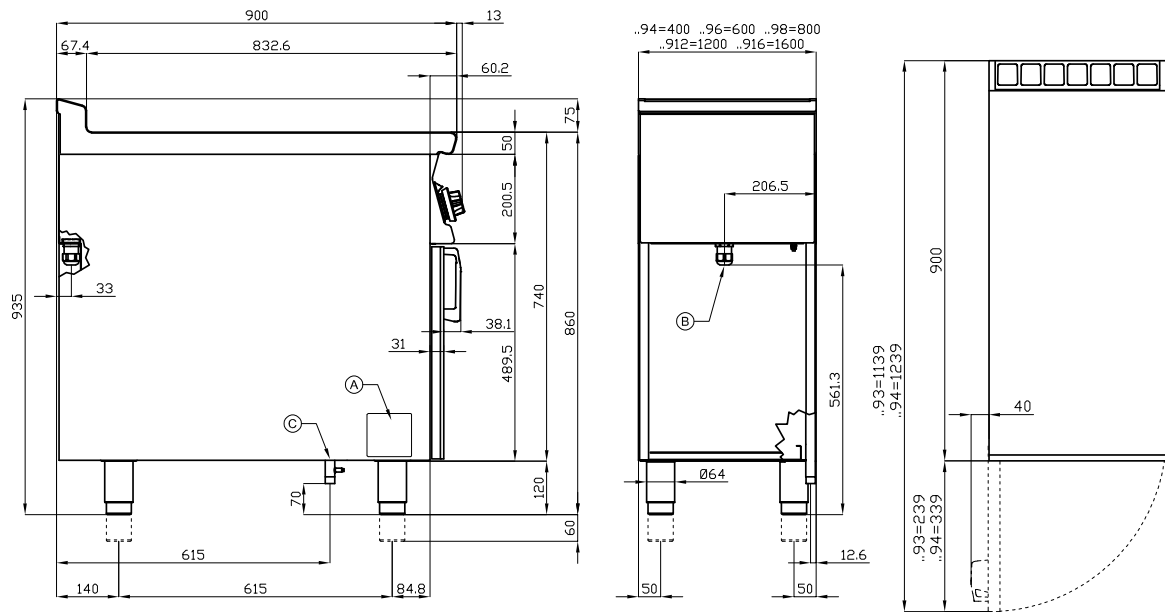


Electric grill water indirect 38x66 on open cabinet 400 V

Model

SAP Code

00011386



A	Data plate	B	Electrical connection
---	------------	---	-----------------------

Technical data sheet

Product benefits



Electric grill water indirect 38x66 on open cabinet 400 V

Model

SAP Code

00011386

1

All-stainless design

long life
resistance of AISI 304 stainless steel material
the material does not cut

- savings on service interventions
- easier and faster operation

2

Degree of protection of the control elements IPX5

maintenance-free system
resistance to splash water
long life

- savings on service interventions
- easy cleaning and maintenance of equipment

3

Heating coils guided by a grill grate

preparation of food directly on the heated grill

- faster heating of the grate
- faster food preparation
- short reaction time to changes in the temperature control

Technical data sheet

Technical parameters



Electric grill water indirect 38x66 on open cabinet 400 V

Model

SAP Code

00011386

1. SAP Code:

00011386

2. Net Width [mm]:

400

3. Net Depth [mm]:

900

4. Net Height [mm]:

900

5. Net Weight [kg]:

69.00

6. Gross Width [mm]:

430

7. Gross depth [mm]:

970

8. Gross Height [mm]:

1110

9. Gross Weight [kg]:

69.00

10. Device type:

Electric unit

11. Construction type of device:

With substructure

12. Power electric [kW]:

5.400

13. Loading:

400 V / 3N - 50 Hz

14. Protection of controls:

IPX5

15. Device color:

Stainless steel

16. Material:

AISI 304

17. Indicators:

operation and warm-up

18. Worktop type:

Molded - comfortable cleaning maintenance

19. Number of power control stages:

6

20. Grid material:

Stainless steel

21. Safety thermostat:

Yes

22. Adjustable feet:

Yes

23. Removable device container:

Yes

24. Removable rim:

Yes

25. Removable grid:

Yes

26. Grid size [mm x mm]:

380 x 660

27. Grid shape:

special shape allowing the oil to drip into the water bath, protects the heating element

28. Uniform heating:

Yes