

Technical data sheet

Product features



Bain marie gas 40

Model

SAP Code

00013627



- Water inlet: mechanical tap
- Drain: Yes
- Material: AISI 304
- Protection of controls: IPX5
- Ignition: Piezo+veÄřnÄř plamen

SAP Code	00013627	Power gas [kW]	3.500
Net Width [mm]	400	Type of gas	Propane butane, natural gas
Net Depth [mm]	900	Number of GN / EN	2
Net Height [mm]	280	GN device depth	150
Net Weight [kg]	38.00		

Technical data sheet

Technical drawing

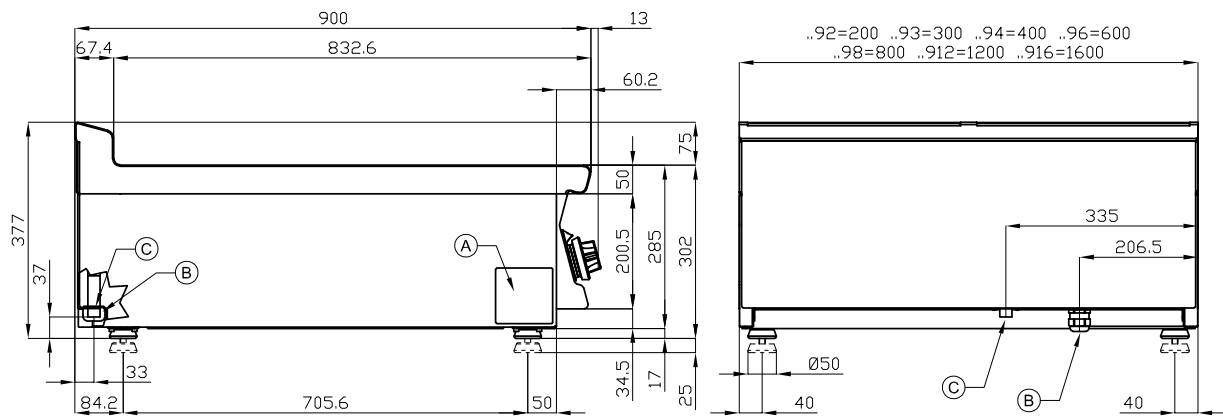


Bain marie gas 40

Model

SAP Code

00013627



A	Data plate	C	Gas connection	ISO 7-1 1/2" M
---	------------	---	----------------	----------------

Technical data sheet

Technical parameters



Bain marie gas 40

Model

SAP Code

00013627

1. SAP Code:

00013627

2. Net Width [mm]:

400

3. Net Depth [mm]:

900

4. Net Height [mm]:

280

5. Net Weight [kg]:

38.00

6. Gross Width [mm]:

430

7. Gross depth [mm]:

970

8. Gross Height [mm]:

540

9. Gross Weight [kg]:

48.00

10. Device type:

Gas unit

11. Construction type of device:

Table top

12. Power gas [kW]:

3.500

13. Ignition:

Piezo+veÄŤnÄŤ plamen

14. Type of gas:

Propane butane, natural gas

15. Protection of controls:

IPX5

16. Device color:

Stainless steel

17. Material:

AISI 304

18. Indicators:

operation and warm-up

19. Worktop type:

Molded - comfortable cleaning maintenance

20. Safety thermocouple:

Yes

21. Adjustable feet:

Yes

22. Heating element material:

AISI 304

23. Water inlet:

mechanical tap

24. Drain:

Yes

25. Number of GN / EN:

2

26. GN device depth:

150