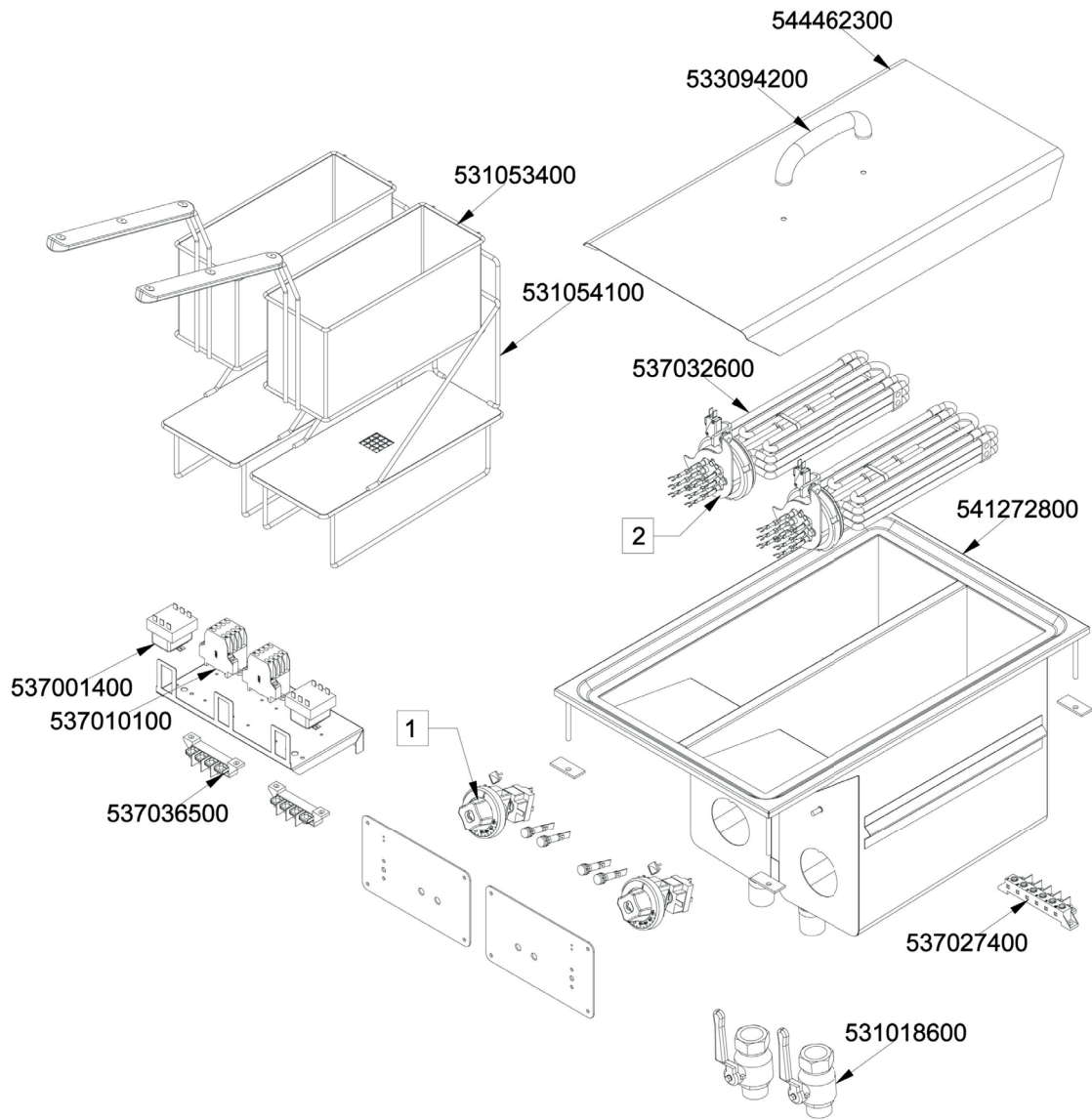




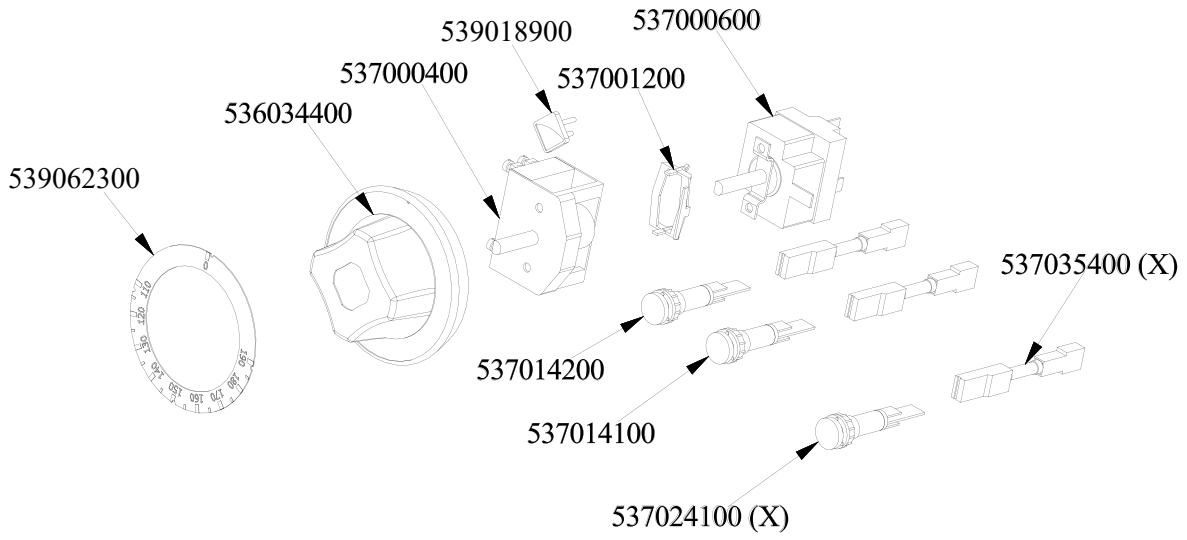
RM Drop In
Platný od 1.5. 2019
F2/8D-64ET



560086400M01P00



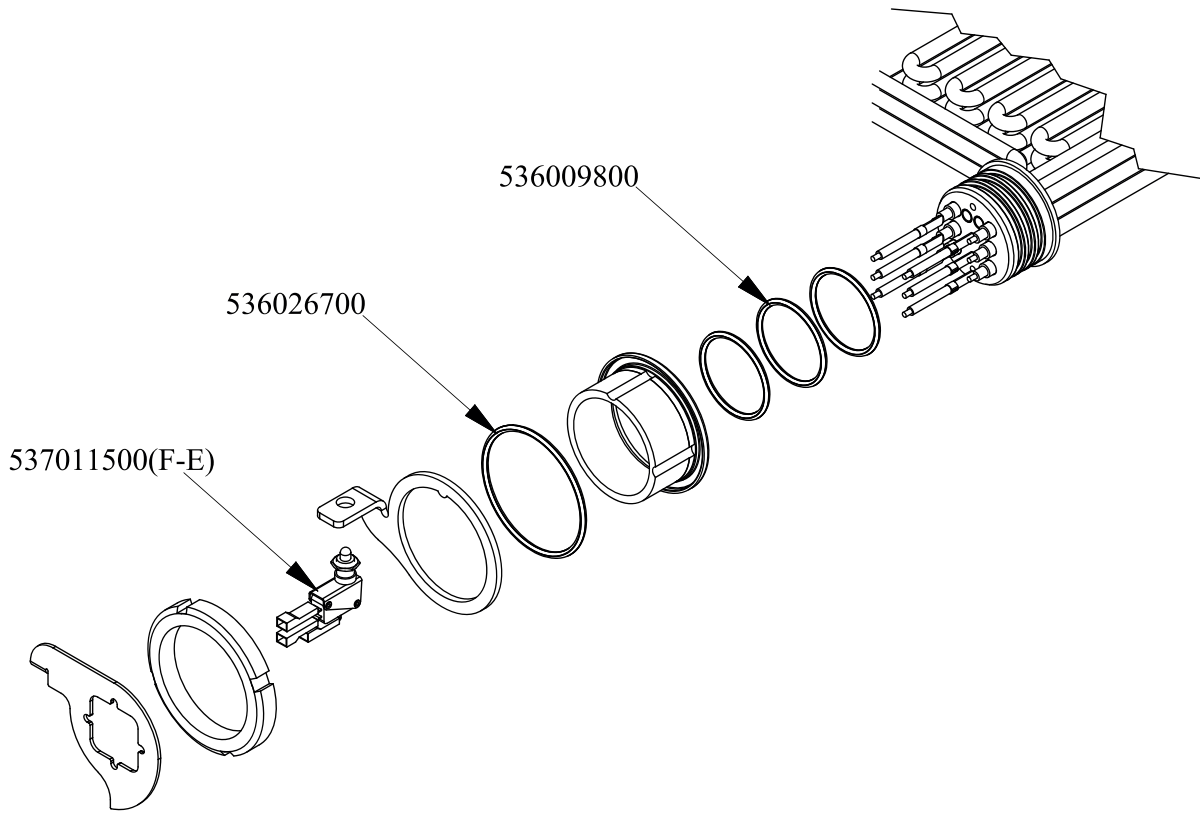
Objednačí kód	Popis v ENG
544462300	TANK LID FOR F-70
533094200	S/S HANDLE FOR 70/90 SERIES
531053400	BASKET FOR F2/8 G/E 121X301X150
531054100	TANK FILTER/BASKET SUPPORT F2/8E 70
537032600	ELEMENT F2/8 S70/90ROT.6000W 230V
541272800	UPPER PLATE DROP IN F2/8D-64ET
537001400	SAFETY THERMOSTAT 245°C THREEPHASE
537010100	REMOTE CONTROL SWITCH 20A 230V
537036500	TERMINAL BLOCK 4POLES 40A SCREW-SCR
537027400	TERMINAL BLOCK THREEPHASE 40A
531018600	BALL VALVE 1"G M-F CPM-62G
-	-
-	-



560100200M01P 00



Objednáací kód	Popis v ENG
537000600	THERMOSTAT 90-180°C SINGLEPHASE
539018900	INDEX FOR KNOB RED SIGN
537000400	COMMUTATOR 1POS.SINGLEPHASE S49 16A
537001200	FIXING BRACKET FOR THERMOSTAT/COMM.
536034400	KNOB §77 4P. §06*4,6 C/M
539062300	RED STICKING DISK 72 (110,190°)
537035400	HEATING ELEMENT 00003W 330KOHM W/F
537014200	GREEN WARNING LIGHT 250V
537014100	WHITE WARNING LIGHT 250V
537024100	RED WARNING LIGHT LOW BUD 110V



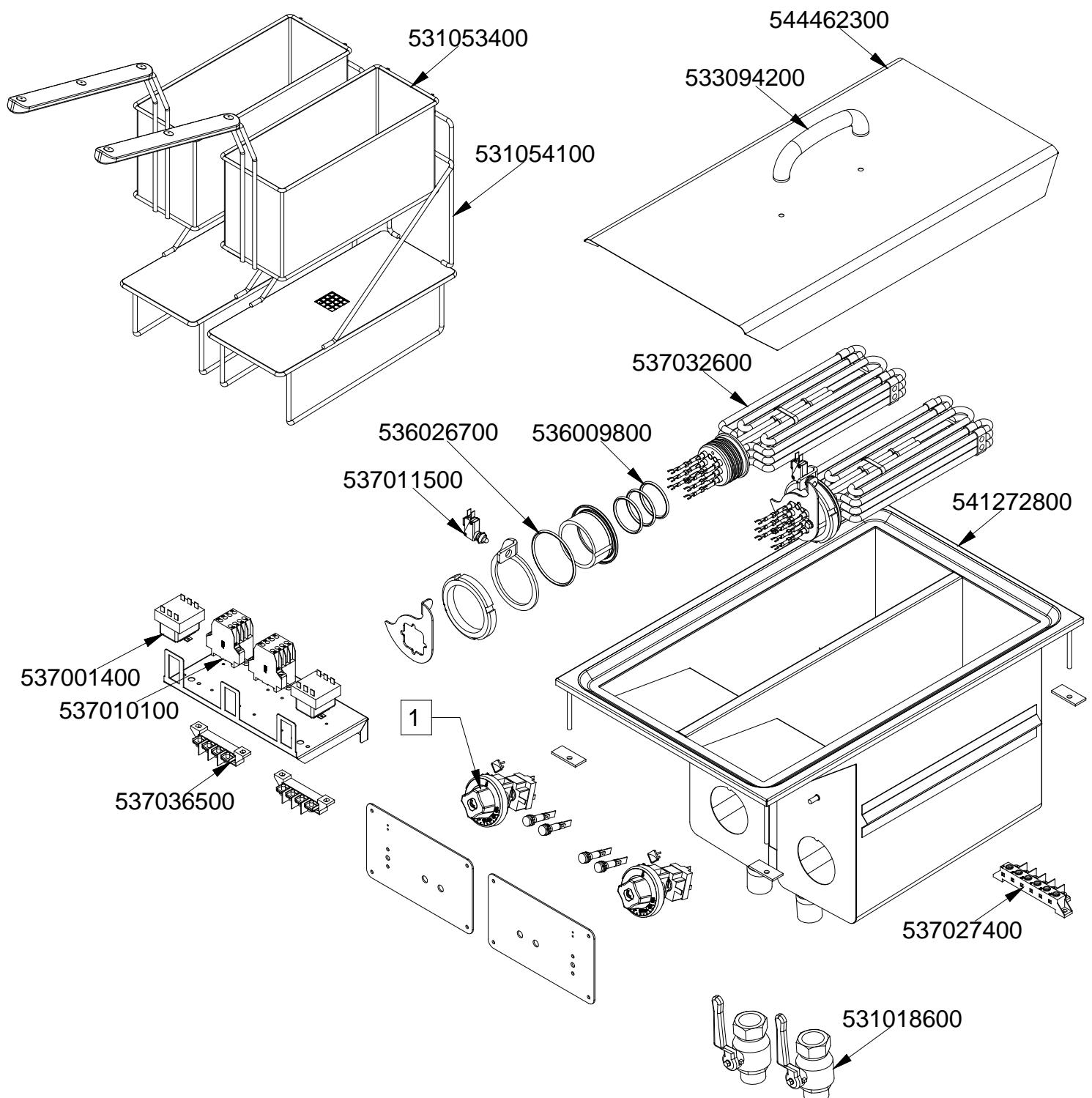
560111000M00P00



Objednací kód	Popis v ENG
536009800	GASKET O-RING 47,22X3,53 VITON
536026700	GASKET O-RING 74,61X3,53 VITON
537011500	MICRO-SWITCH 10A 400V



F2/8D-64ET
 Platný od
 1.5.2016
 do 30.4.2019





F2/8D-64ET
Platný od
1.5.2016
do 30.4.2019

