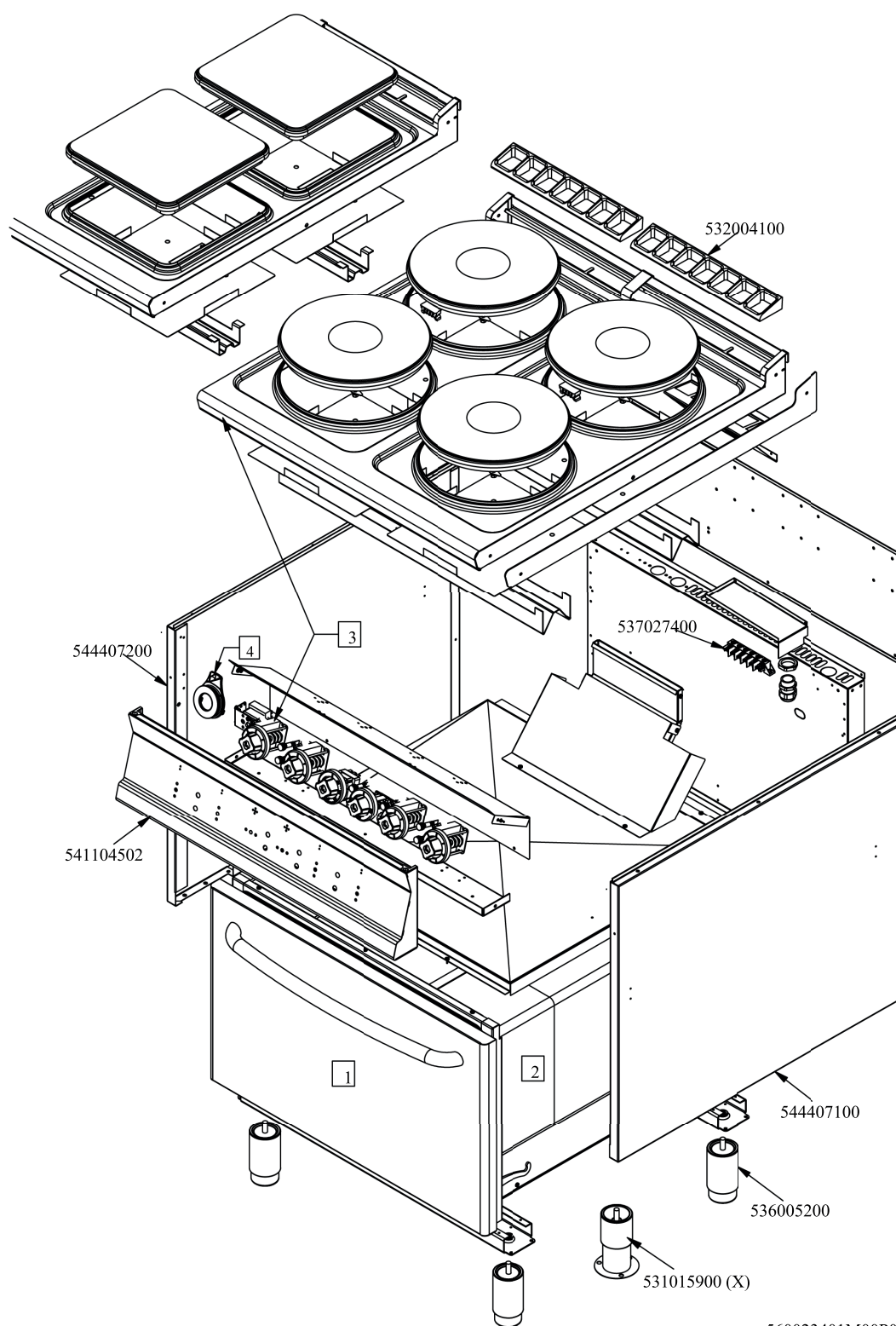


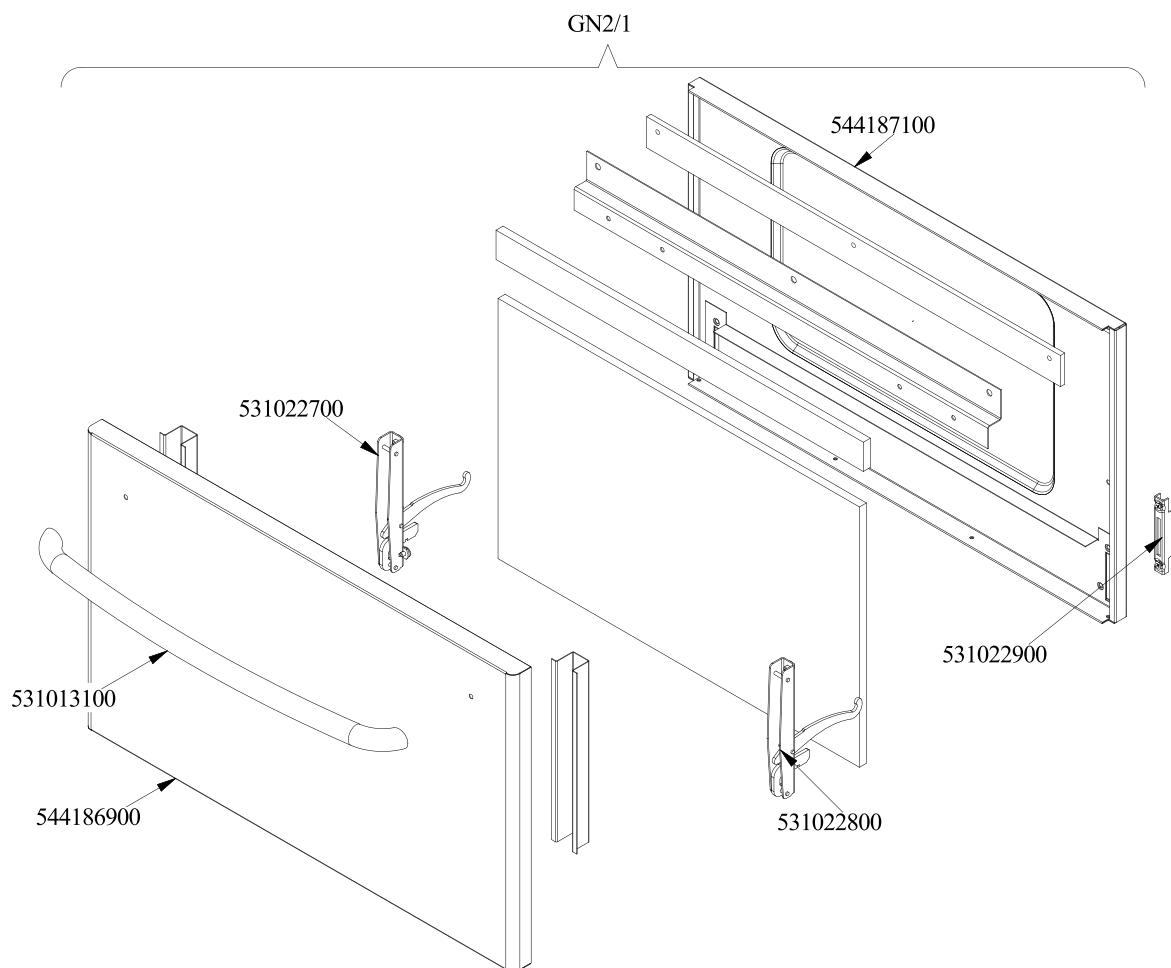
RM 900
 Platný od 1.5. 2019
 CF4-98ET



560023401M00P00 .



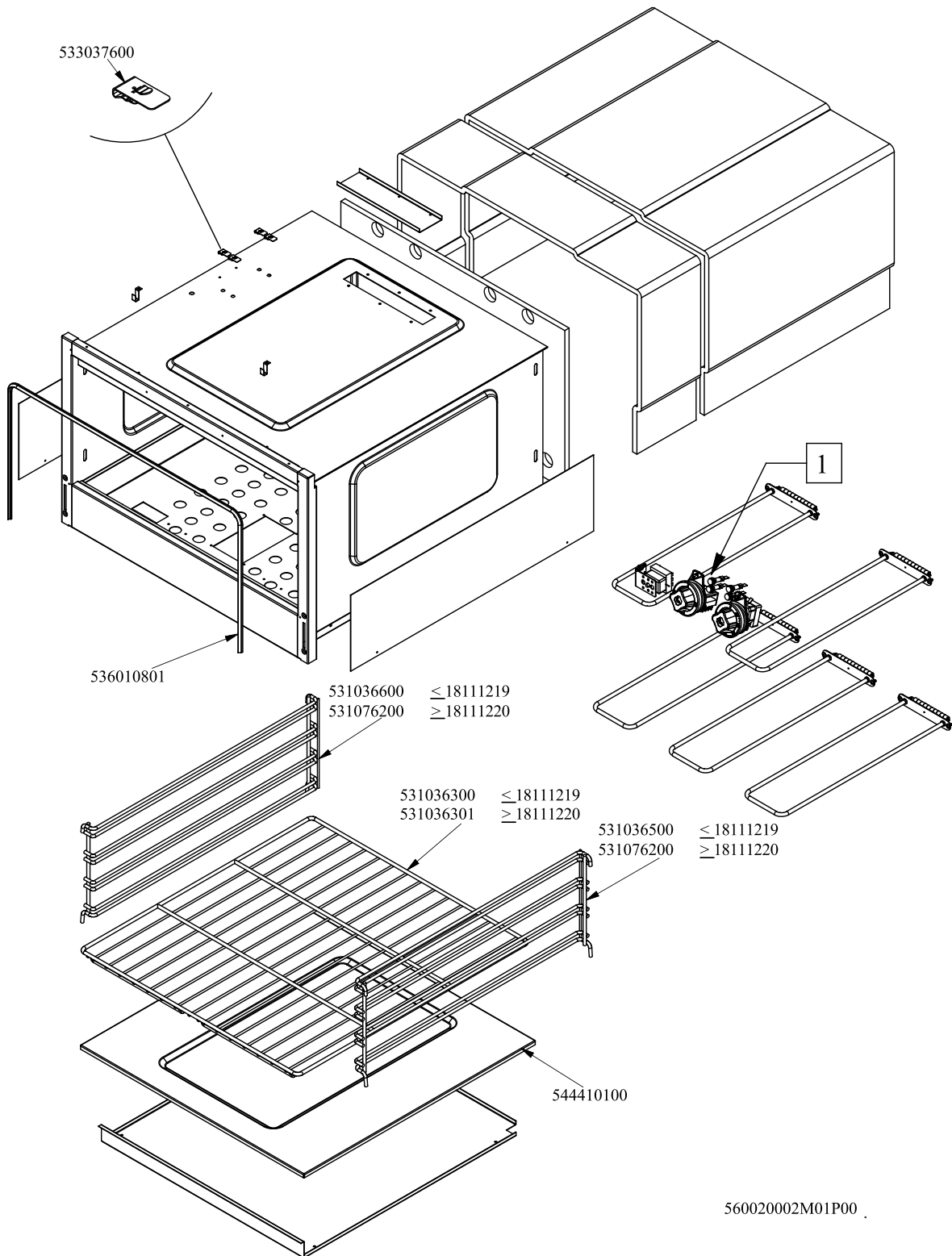
Objednací kód	Popis v ENG
544407100	RIGHT SIDE PANEL RANGE 90 LINE
536005200	INOX LEG 2" 120-180 M10
541104502	FRONTAL PANEL S607090 CF4-98E
544407200	RIGHT SIDE PANEL RANGE 70 LINE
532004100	FLUE GRID L=370 90LINE (RAF)
537027400	TERMINAL BLOCK THREEPHASE 40A
-	-
-	-
-	-
-	-



560099800M01P00

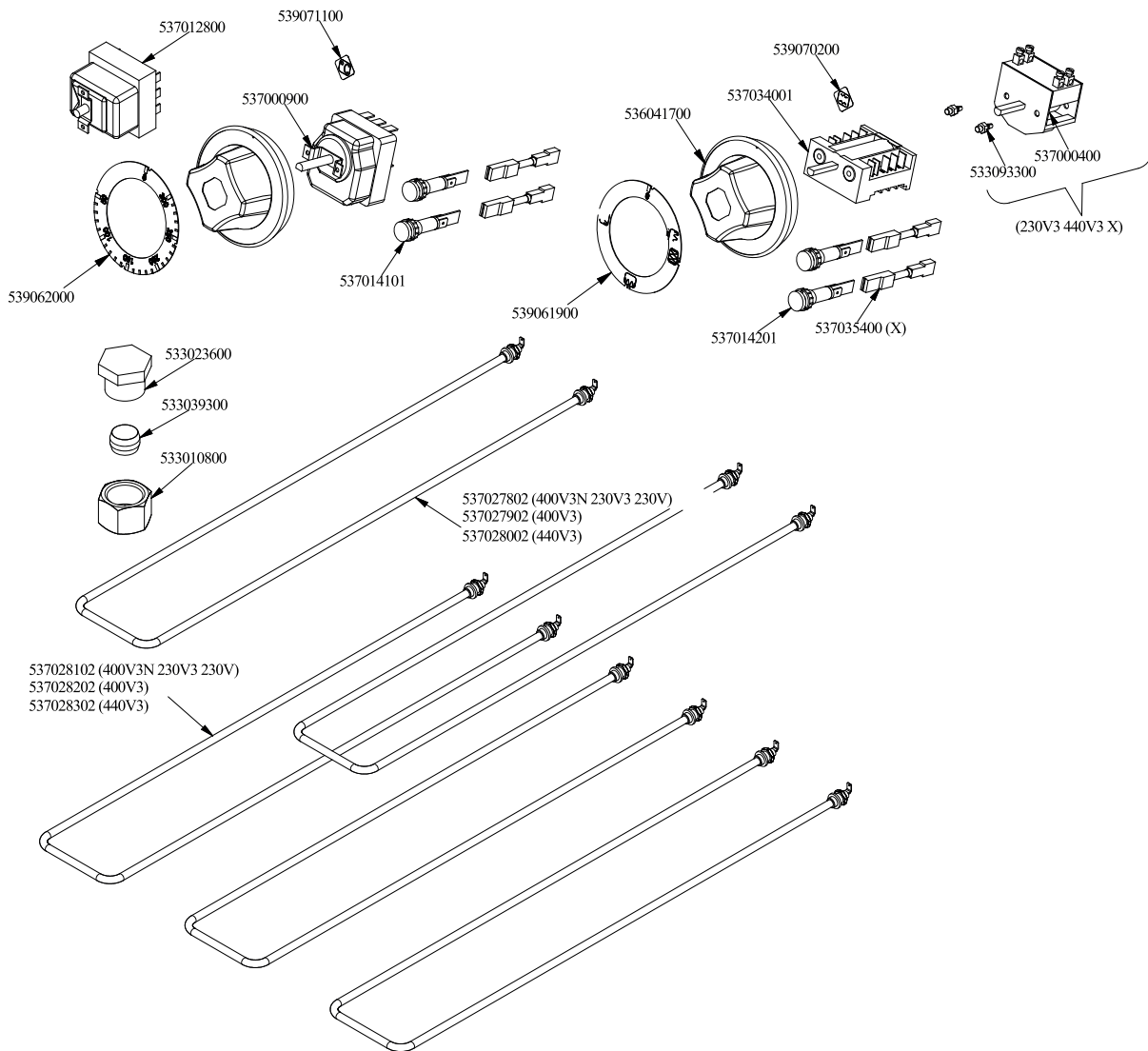


Objednací kód	Popis v ENG
GN2/1	PROCESSING CODE
544187100	OVEN INNER DOOR GN 2/1 70/90LINE
531022800	531022800N DOOR HINGE S.70
531013100	OVEN DOOR HANDLE OF 70/90-LINE
544186900	OVEN DOOR GN 2/1 70/90LINES
531022700	LEFT OVEN DOOR HINGE 70LINE
531022900	HINGE ROLLER HOLDER FOR 700-OVEN
GN3/1	PROCESSING CODE
541102300	GAS OVEN INNER DOOR GN 3/1 S.70
531022800	531022800N DOOR HINGE S.70
531013100	OVEN DOOR HANDLE OF 70/90-LINE
544187000	OVEN DOOR GN 3/1 S.70
531022700	LEFT OVEN DOOR HINGE 70LINE
531022900	HINGE ROLLER HOLDER FOR 700-OVEN





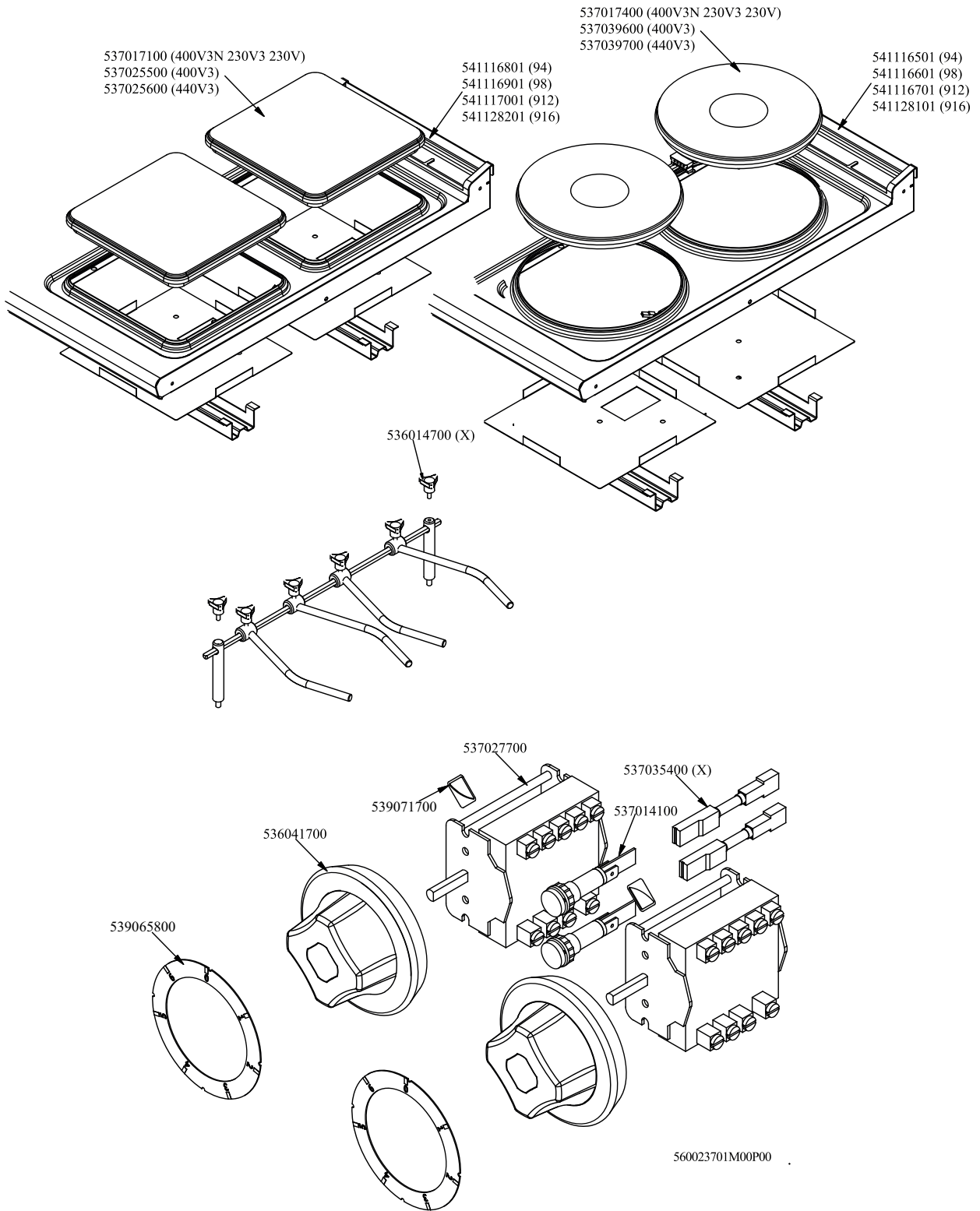
Objednačí kód	Popis v ENG
531036600	LHD RACK HOLDER FOR OVEN S.90
531076200	
531036300	OVEN RACK GN 2/1 FOR 90 LINE
531036301	OVEN RACK GN 2/1 FOR 90 LINE
544410100	90 ELECTRICAL OVEN BOTTOM GN2/1
533037600	LOCK SPRING FOR BULB
531036500	RHD RACK HOLDER FOR OVEN S.90
536010801	OVEN GASKET GN 2/1 (1308)
-	-



560020102M01P00

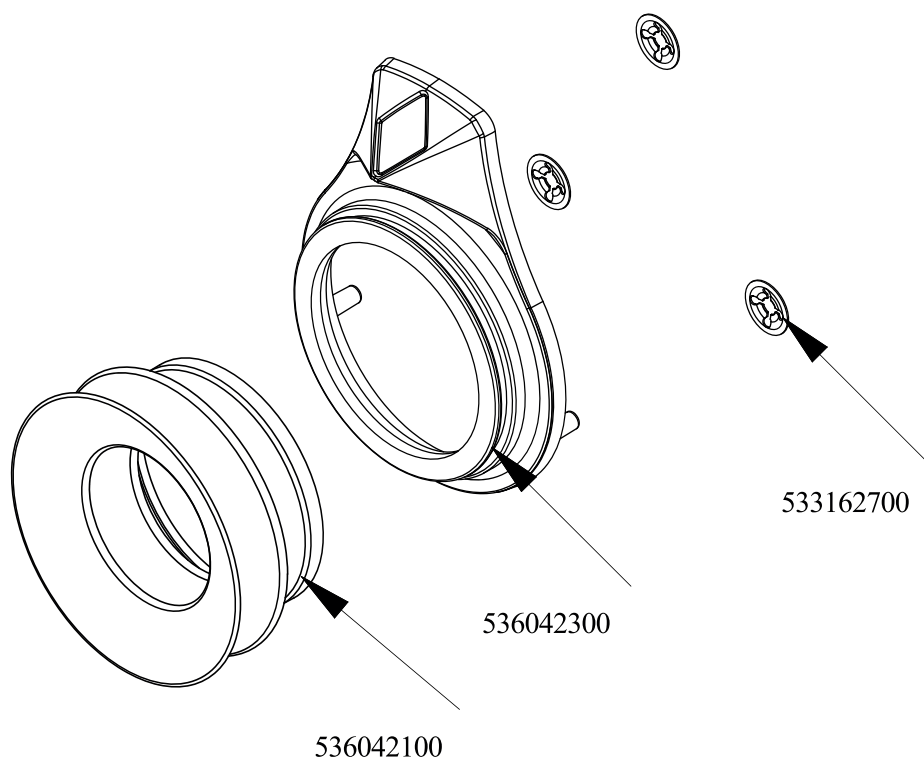


Objednací kód	Popis v ENG
537027802	HEATING ELEMENT S90 S.0800W 1-230V
537012800	SAFETY THERMOSTAT 420°C THREEPHASE
537000900	THERMOSTAT 063-320°C THREEPHASE
539071100	
537014101	WHITE WARNING LIGHT 250V
533023600	TAP PLUG §10 M16*1, 5CH19
533039300	BICONE §10
533010800	TUBE NUT D.10 M16*1,5
537027902	
537028002	
537028102	HEATING ELEMENT 90S I.1700W 1-230V
537028202	
537028302	
536041700	SILVER CHROM. KNOB Ø77 4P.G.Ø06X4,6
539062000	ADESIVE DISK THERMOSTAT OVEN S70
539061900	ADESIVE DISK FOR SWITCH OVEN S70
537035400	HEATING ELEMENT 00003W 330KOHM W/F
533093300	LOCKING PIN SWITCH S.43 THERMOST
537000400	COMMUTATOR 1POS.SINGLEPHASE S49 16A
537014201	GREEN WARNING LIGHT 250V
537034001	COMMUTATOR 4 POS.3PHASE S.42 16A
539070200	





Objednačí kód	Popis v ENG
539071700	ADHES.LABEL FOR RING GREEN SIGN.
537014100	WHITE WARNING LIGHT 250V
537035400	HEATING ELEMENT 00003W 330KOHM W/F
537027700	COMMUTATOR 7 POSITIONS S.43 32A
536041700	SILVER CHROM. KNOB Ø77 4P.G.Ø06X4,6
539065800	BLACK ADESIVE DISK FOR PC-E
536014700	3 DRILL WHEELS
537017100	PLATE 300X300 W4000 V230
537025500	PLATE 300X300 W4000 V400
537025600	PLATE 300X300 W4000 V440
537017400	ELECTRICAL PLATE D.300 W3500 V230
537039600	ELECTRICAL PLATE D.300 W3500 V400
537039700	ELECTRICAL PLATE D.300 W3500 V440
541116501	
541116601	
541116701	
541128101	
541116801	
541116901	
541117001	
541128201	



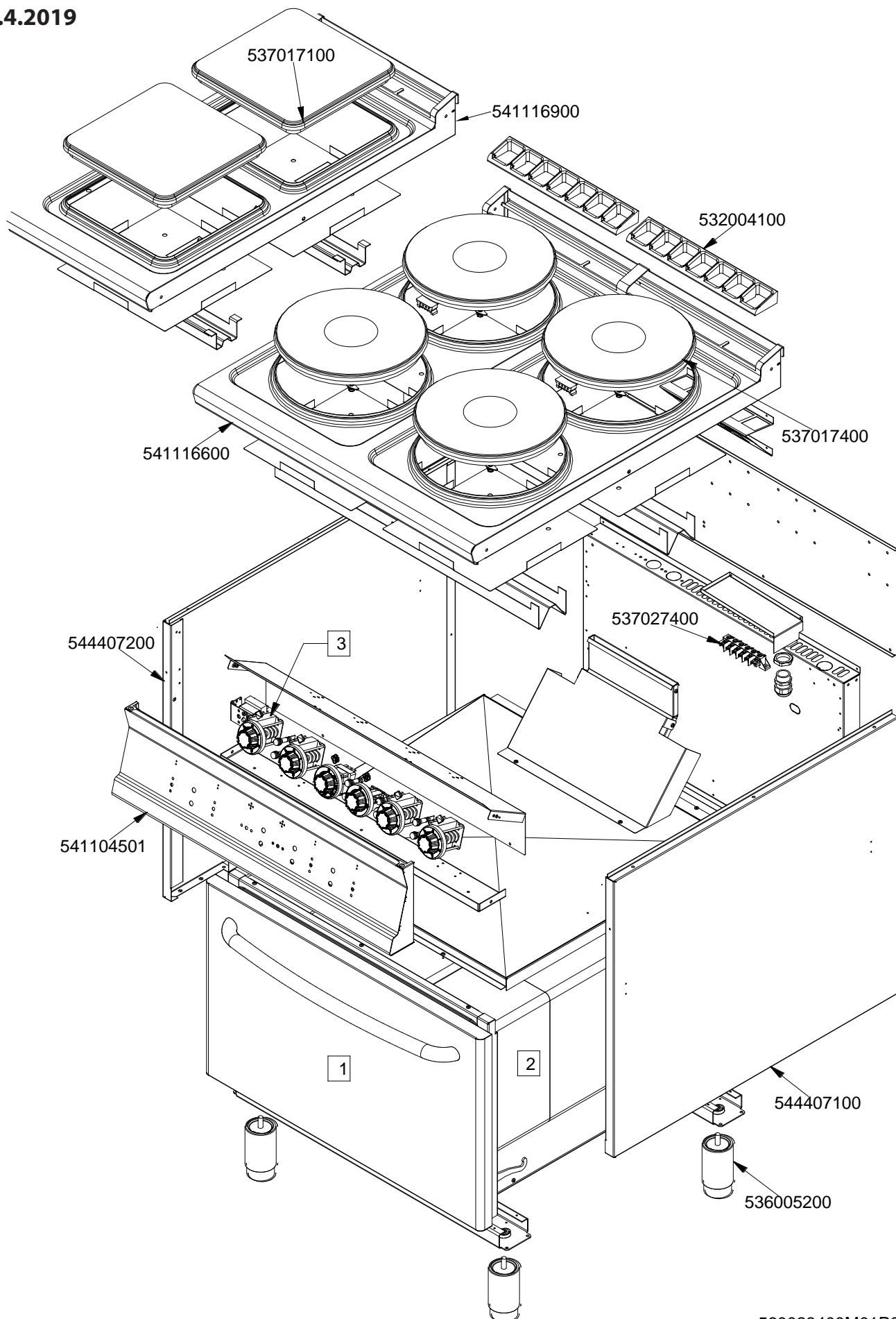
560125700M00P00



Objednačí kód	Popis v ENG
536042300	SILVER CHROM. RING FOR KNOB Ø77 4 P
536042100	SEAL CASING FOR KNOB Ø77 4 P
533162700	PROCESSING CODE



CF4 - 98 ET, CFQ4 - 98 ET
 Platnost 1.5.2016 do
 30.4.2019

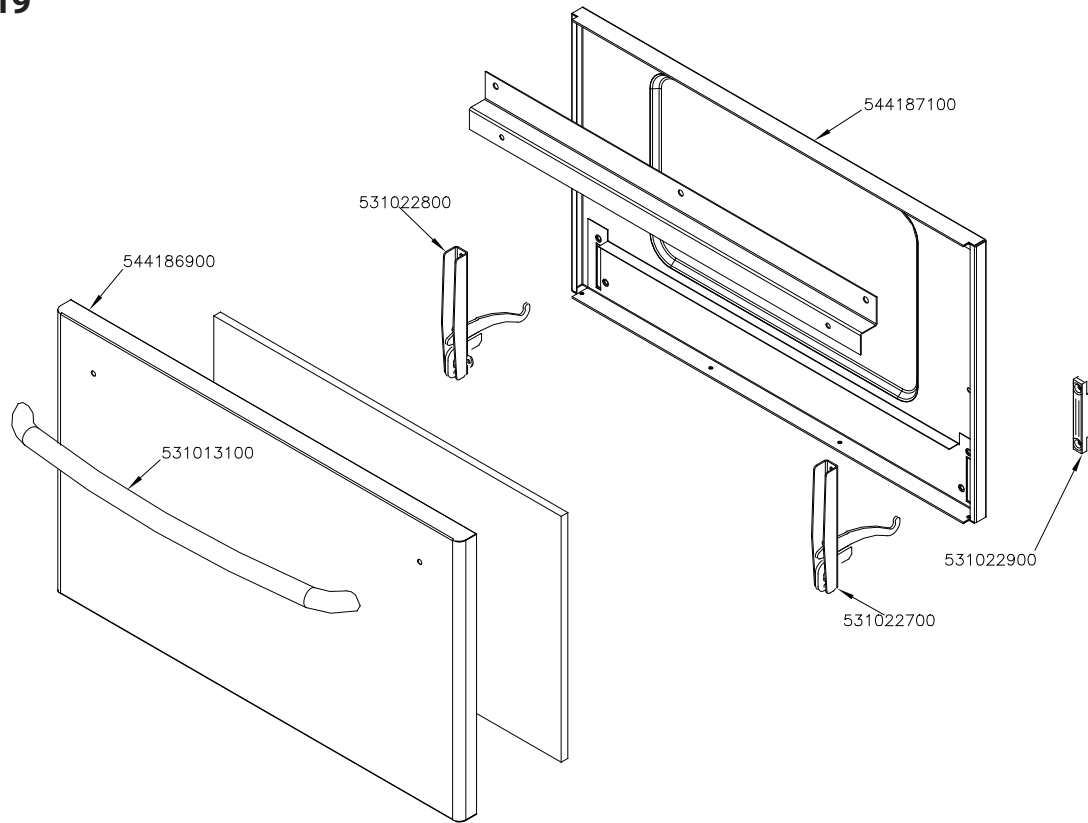


CF4 - 98 ET, CFQ4 - 98 ET

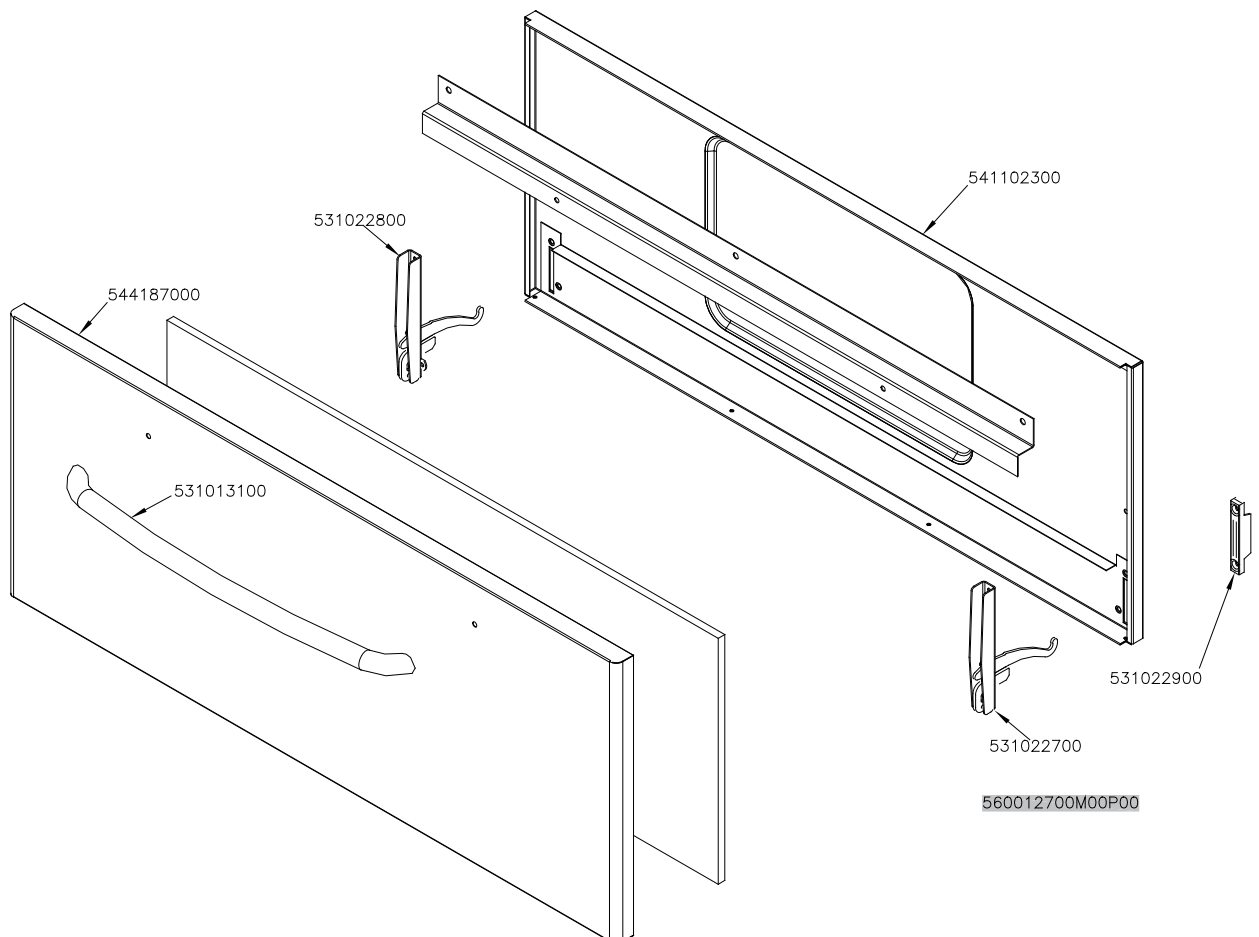
(1)

Platnost 1.5.2016 do
30.4.2019

GN 2/1



GN 3/1



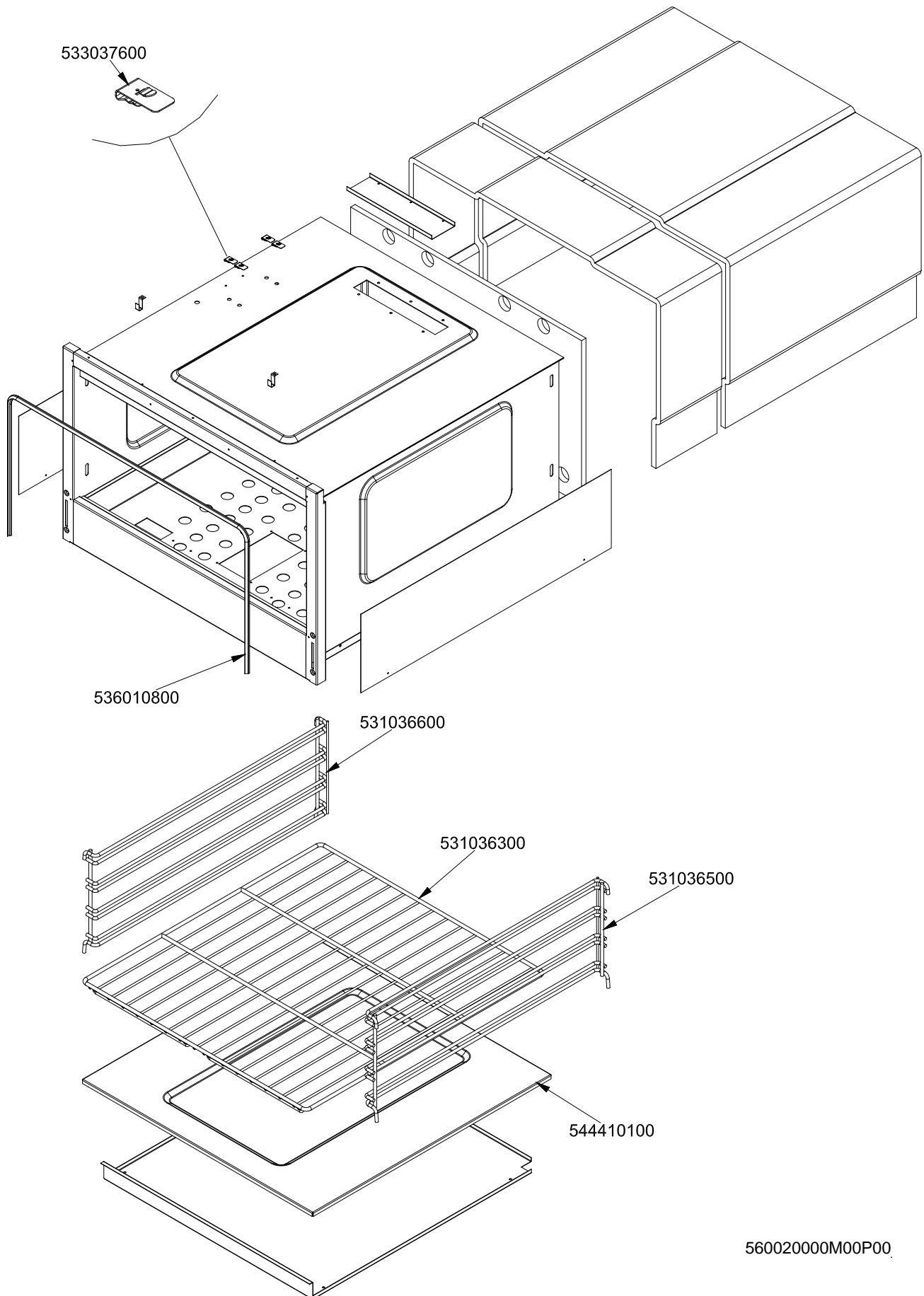


CF4 - 98 ET, CFQ4 - 98 ET

(2)

Platnost 1.5.2016 do

30.4.2019



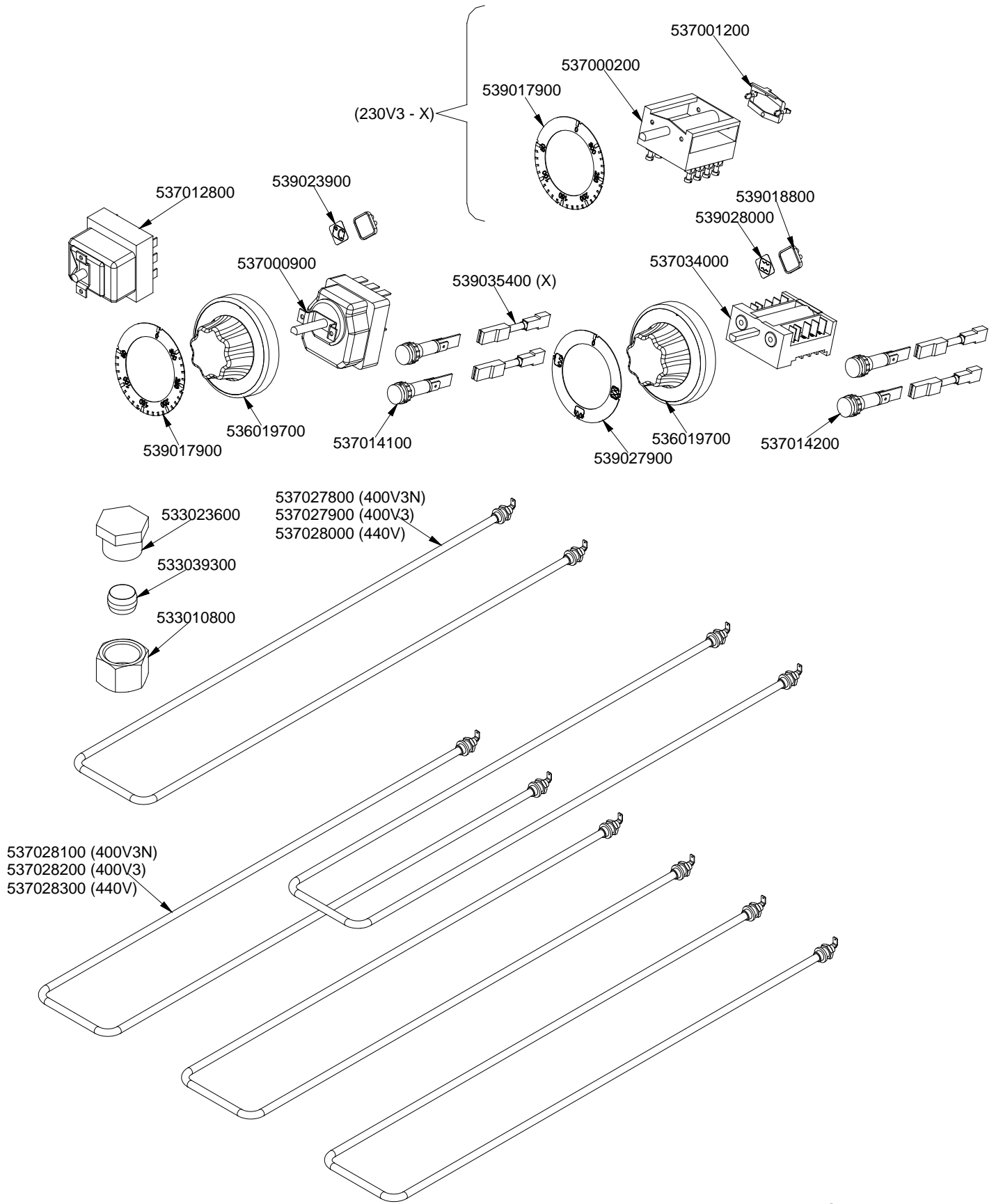


CF4 - 98 ET, CFQ4 - 98 ET

(3)

Platnost 1.5.2016 do

30.4.2019



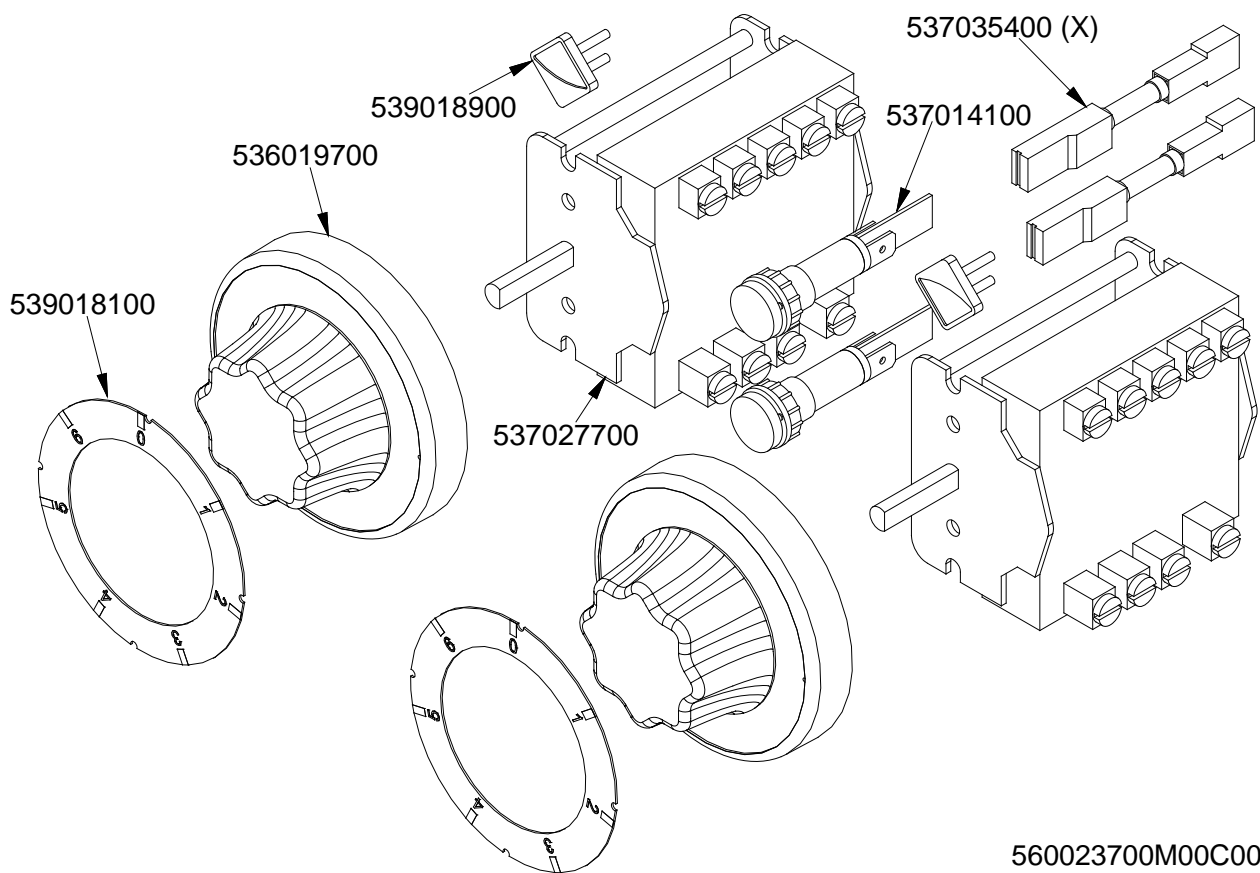


CF4 - 98 ET, CFQ4 - 98 ET

(3)

Platnost 1.5.2016 do

30.4.2019



560023700M00C00