

Technical data sheet

Product features



Cooking range solid top electric 1x plate on open cabinet 400 V

Model	SAP Code	00005404
--------------	-----------------	----------



- Device type: Electric unit
- Power consumption of the zone 1 [kW]: 3,4
- Power consumption of the zone 2 [kW]: 3,4
- Power consumption of the zone 3 [kW]: 3,4
- Power consumption of the zone 4 [kW]: 3,4
- Protection of controls: IPX5
- Material: AISI 304

SAP Code	00005404	Number of zones	4
Net Width [mm]	800	Power consumption of the zone 1 [kW]	3,4
Net Depth [mm]	900	Power consumption of the zone 2 [kW]	3,4
Net Height [mm]	900	Power consumption of the zone 3 [kW]	3,4
Net Weight [kg]	110.00	Power consumption of the zone 4 [kW]	3,4
Power electric [kW]	13.600	Solid top dimensions [mm x mm]	770 x 680
Loading	400 V / 3N - 50 Hz		

Technical data sheet

Technical drawing

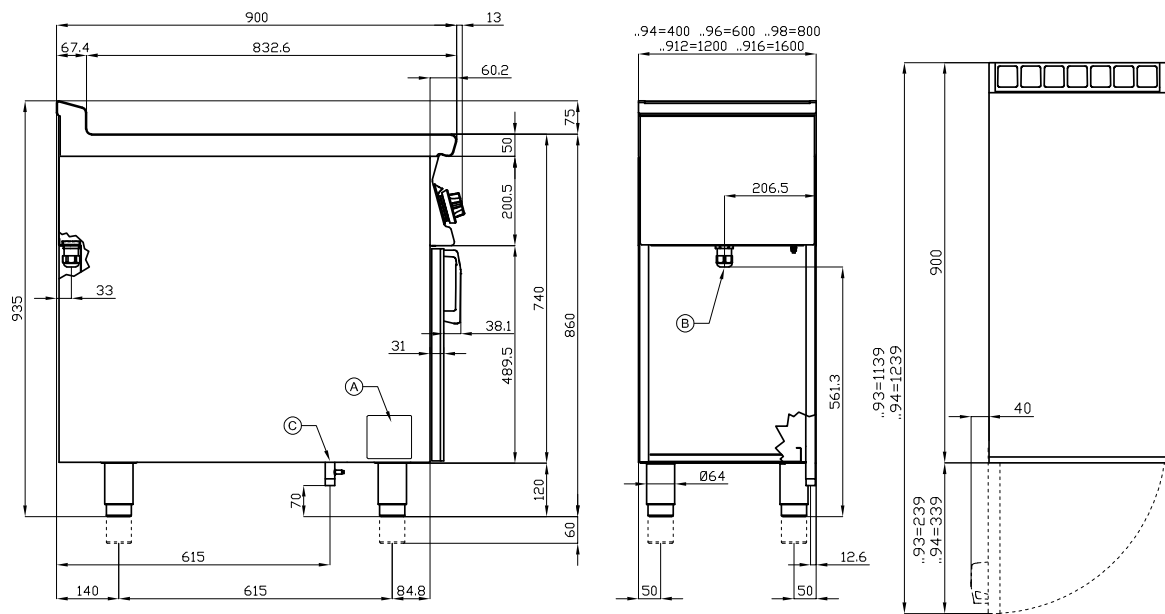


Cooking range solid top electric 1x plate on open cabinet 400 V

Model

SAP Code

00005404



A Data plate		B Electrical connection	
--------------	--	-------------------------	--

Technical data sheet

Product benefits



Cooking range solid top electric 1x plate on open cabinet 400 V

Model

SAP Code

00005404

1

Massive construction of burners

high performance and efficiency
cast iron burners removable
long life

- energy saving (perfect combustion)
- time saving for food preparation
- easy maintenance/cleaning

2

Hygienic moldings of the top plate

absence of sharp corners and edges (potential places where dirt could stick)
smooth transitions

- easy quick cleaning

3

Degree of protection of the control elements IPX5

maintenance-free system
resistance to splash water
long life

- savings on service interventions
- easy cleaning and maintenance of equipment

4

All-stainless design

the material does not cut
wear resistance of the material
long life

- savings on service interventions
- easy cleaning and maintenance of equipment

5

Safety element - thermocouple

safe operation for personnel
there is no overheating and damage to the thallus
long life

- savings on service interventions
- easier and faster operation

6

Piezoelectric ignition

instant flame ignition
there is no unnecessary gas leakage
long life

- savings on service interventions
- easier and faster operation

Technical data sheet

Technical parameters



Cooking range solid top electric 1x plate on open cabinet 400 V

Model

SAP Code

00005404

1. SAP Code:

00005404

2. Net Width [mm]:

800

3. Net Depth [mm]:

900

4. Net Height [mm]:

900

5. Net Weight [kg]:

110.00

6. Gross Width [mm]:

830

7. Gross depth [mm]:

970

8. Gross Height [mm]:

1110

9. Gross Weight [kg]:

118.00

10. Device type:

Electric unit

11. Construction type of device:

With substructure

12. Power electric [kW]:

13.600

13. Loading:

400 V / 3N - 50 Hz

14. Protection of controls:

IPX5

15. Device color:

Stainless steel

16. Material:

AISI 304

17. Worktop type:

Molded - comfortable cleaning maintenance

18. Worktop material:

AISI 304

19. Worktop Thickness [mm]:

2.00

20. Number of zones:

4

21. Power consumption of the zone 1 [kW]:

3,4

22. Power consumption of the zone 2 [kW]:

3,4

23. Power consumption of the zone 3 [kW]:

3,4

24. Power consumption of the zone 4 [kW]:

3,4

25. Maximum device temperature [°C]:

450

26. Minimum device temperature [°C]:

50

27. Number of power control stages:

6

28. Service accessibility:

From the front by removing the front panel and waste fluid containers

Technical data sheet

Technical parameters



Cooking range solid top electric 1x plate on open cabinet 400 V

Model	SAP Code	00005404
--------------	-----------------	----------

29. Safety thermocouple:

Yes

33. Type of electric cooking zones:

Squared

30. Adjustable feet:

Yes

34. Solid top thickness [mm]:

20

31. Number of burners/hot plates:

4

35. Solid top dimensions [mm x mm]:

770 x 680

32. Type of gas cooking zones:

Thales

36. Solid top material:

chrome-molybdenum