

Technical data sheet



Product features

Pasta cooker electric 23 l with cabinet 400 V

Model	SAP Code	00110124
--------------	-----------------	----------

- Water inlet: mechanical tap
- Drain type: Through the substructure with connection to waste
- Drain: Yes
- Material: Stainless steel
- Protection of controls: IPX4
- Maximum device temperature [°C]: 110
- Basket dimensions [mm x mm x mm]: 306 x 340 x 320

SAP Code	00110124	Loading	400 V / 3N - 50 Hz
Net Width [mm]	400	Width of internal part [mm]	306
Net Depth [mm]	700	Depth of internal part [mm]	340
Net Height [mm]	900	Height of internal part [mm]	320
Net Weight [kg]	40.30	Basket dimensions [mm x mm x mm]	306 x 340 x 320
Power electric [kW]	6.000		

Technical data sheet



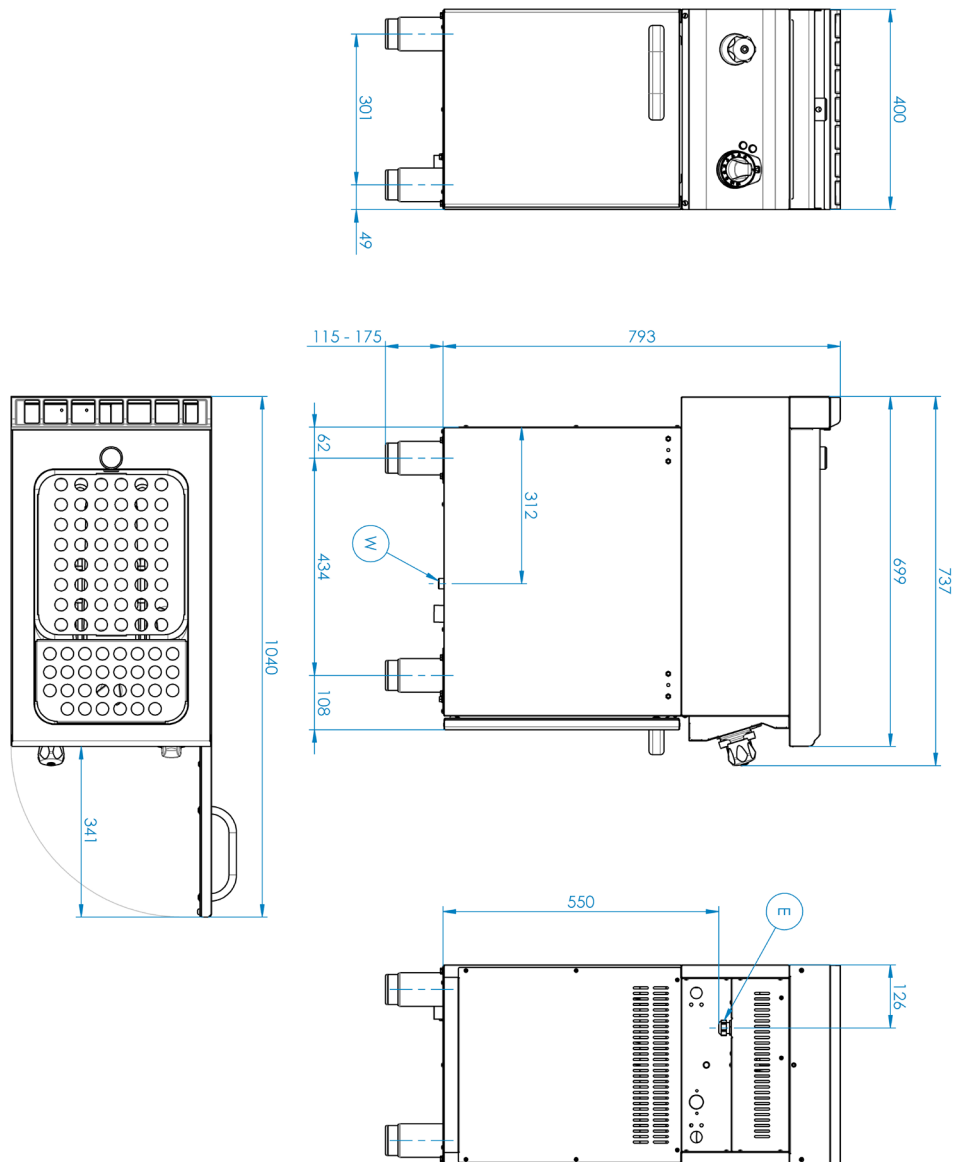
Technical drawing

Pasta cooker electric 23 l with cabinet 400 V

Model

SAP Code

00110124



Technical data sheet



Product benefits

Pasta cooker electric 23 l with cabinet 400 V

Model

SAP Code

00110124

1

All-stainless steel bathtub

long life
resistance of AISI 304 stainless steel material
the material does not cut

- savings on service interventions
- easier and faster operation

2

Degree of protection of the control elements IPX4

maintenance-free system
resistance to splash water
long life

- savings on service interventions
- easy cleaning and maintenance of equipment

Technical data sheet



Technical parameters

Pasta cooker electric 23 l with cabinet 400 V

Model	SAP Code	00110124
--------------	-----------------	----------

1. SAP Code:

00110124

2. Net Width [mm]:

400

3. Net Depth [mm]:

700

4. Net Height [mm]:

900

5. Net Weight [kg]:

40.30

6. Gross Width [mm]:

440

7. Gross depth [mm]:

800

8. Gross Height [mm]:

975

9. Gross Weight [kg]:

48.00

10. Device type:

Electric unit

11. Construction type of device:

With substructure

12. Power electric [kW]:

6.000

13. Loading:

400 V / 3N - 50 Hz

14. Protection of controls:

IPX4

15. Material:

Stainless steel

16. Indicators:

operation and warm-up

17. Worktop type:

Molded - comfortable cleaning maintenance

18. Worktop material:

AISI 304

19. Worktop Thickness [mm]:

1.20

20. Maximum device temperature [°C]:

110

21. Minimum device temperature [°C]:

30

22. Adjustable feet:

Yes

23. Heating element material:

Incoloy

24. False bottom:

Yes

25. Number of basins:

1

26. Basket dimensions [mm x mm x mm]:

306 x 340 x 320

27. Basin material:

AISI 316 - Stainless steel highly resistant to salt water

28. Water inlet:

mechanical tap

Technical data sheet

Technical parameters



Pasta cooker electric 23 l with cabinet 400 V

Model

SAP Code

00110124

29. Drain type:

Through the substructure with connection to waste

32. Width of internal part [mm]:

306

30. Drain:

Yes

33. Depth of internal part [mm]:

340

31. Drain connection:

Yes

34. Height of internal part [mm]:

320