

Technical data sheet

Product features



Chip dump scuttle electric

Model	SAP Code	00013630
--------------	-----------------	----------



- Maximum device temperature [°C]: 30
- Minimum device temperature [°C]: 90
- Material: AISI 304 top plate and cladding
- Heating location: Upper and lower

SAP Code	00013630	Net Weight [kg]	38.00
Net Width [mm]	400	Power electric [kW]	1.470
Net Depth [mm]	900	Loading	230 V / 1N - 50 Hz
Net Height [mm]	280	Number of basins	1

Technical data sheet

Technical drawing

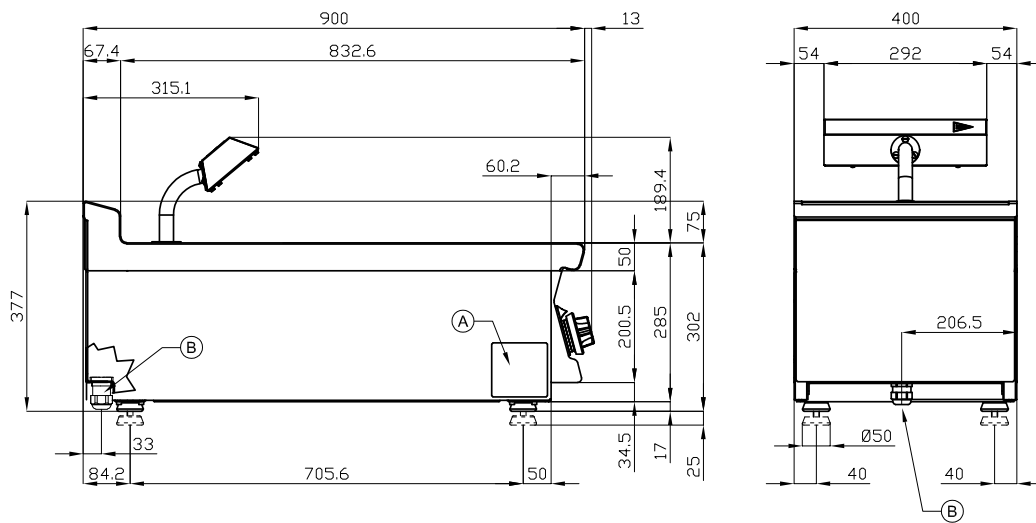


Chip dump scuttle electric

Model

SAP Code

00013630



A	Data plate	B	Electrical connection
---	------------	---	-----------------------

Technical data sheet

Technical parameters



Chip dump scuttle electric

Model

SAP Code

00013630

1. SAP Code:

00013630

2. Net Width [mm]:

400

3. Net Depth [mm]:

900

4. Net Height [mm]:

280

5. Net Weight [kg]:

38.00

6. Gross Width [mm]:

430

7. Gross depth [mm]:

970

8. Gross Height [mm]:

630

9. Gross Weight [kg]:

48.00

10. Device type:

Electric unit

11. Construction type of device:

With substructure

12. Power electric [kW]:

1.470

13. Loading:

230 V / 1N - 50 Hz

14. Protection of controls:

IPX5

15. Device color:

Stainless steel

16. Material:

AISI 304 top plate and cladding

17. Indicators:

operation and warm-up

18. Worktop material:

AISI 304

19. Worktop Thickness [mm]:

2.00

20. Device heating type:

Stainless steel body + ceramic infrared lamp

21. Maximum device temperature [°C]:

30

22. Minimum device temperature [°C]:

90

23. Power control type:

knob control

24. Service accessibility:

Trough the frontal panel

25. Safety thermostat:

Yes

26. Adjustable feet:

Yes

27. Heating element material:

AISI 304

28. False bottom:

Yes

Technical data sheet

Technical parameters



Chip dump scuttle electric

Model

SAP Code

00013630

29. Number of basins:

1

32. GN / EN size in device:

GN 1/1

30. Basin material:

AISI 304 - High quality stainless steel

33. GN device depth:

150

31. Number of GN / EN:

1

34. Heating location:

Upper and lower