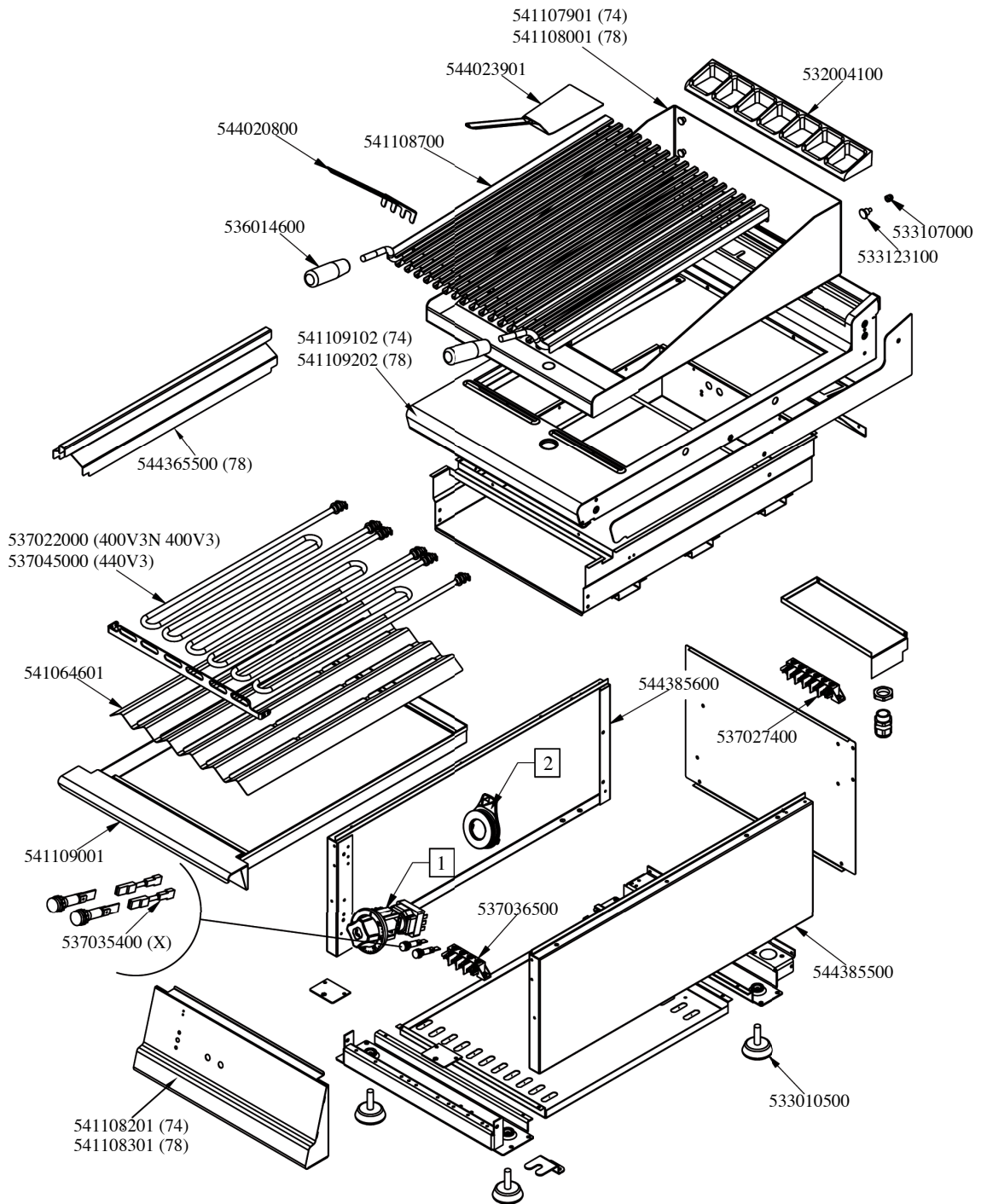


CWT-74ET

2021_11

1





CWT-74ET

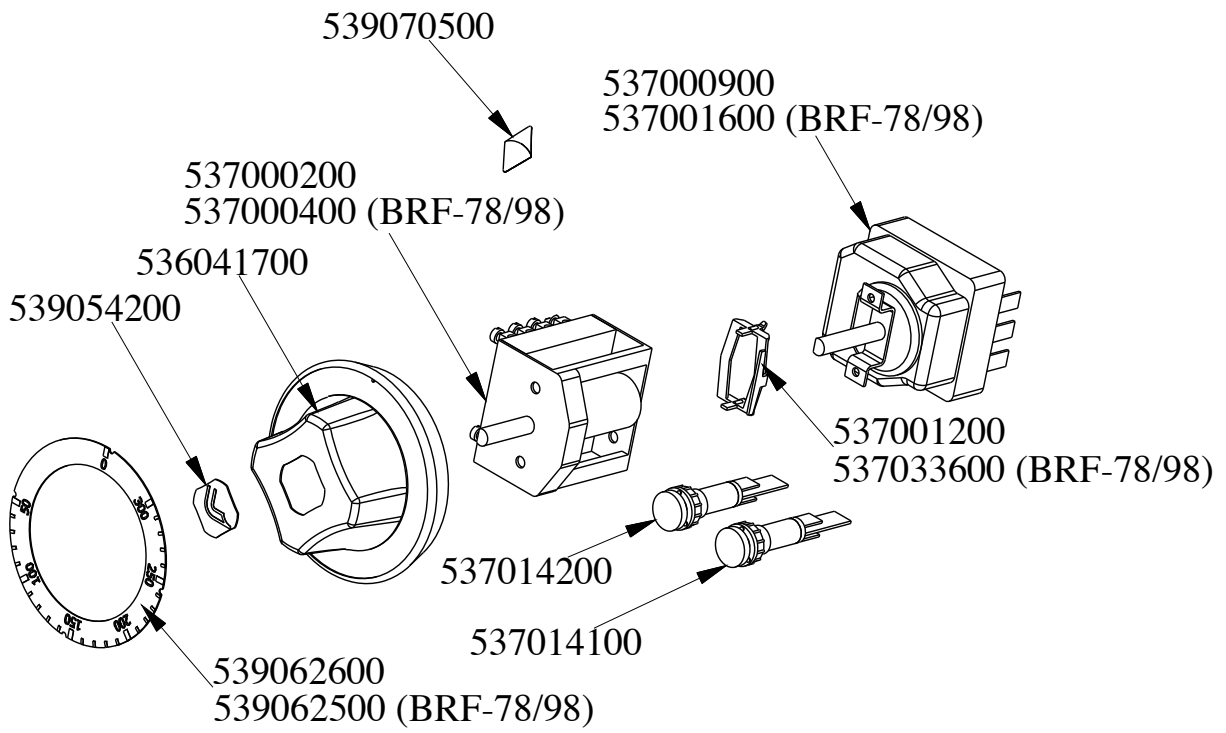
2021_11

1

Kod	Nazev
537022000	HEATING EL.CW W2000 V230 S.70
537036500	TERMINAL BLOCK 4POLES 40A SCREW-SCR
541108201	ASS.CRUSC.S607090 CW-74/94E
537027400	TERMINAL BLOCK THREEPHASE 40A
544385500	RIGHT SIDE OF 70T LINE
533010500	LEG M10*25 D.40
544385600	LEFT SIDE OF 70T LINE
541064601	REFLECTING BOARD CW-4/74/78E
541109001	ROUNDED DRAWER CW-E *NEW 700 LINE*
541109102	ASS.PIANO S70 CW-74G/E
544023901	SPATTLE FOR FRY-TOP
544020800	SPATTLE FOR CW S70 S90
536014600	GRIP D.28*90*M10 CW
541108700	"S" GRID FOR CW-70G
533107000	PROCESSING CODE
533123100	PROCESSING CODE
541107901	SPLASH SHIELD CW-74
532004100	FLUE GRID L=370 90LINE (RAF)



CWT-74ET
2021_11
2





CWT-74ET

2021_11

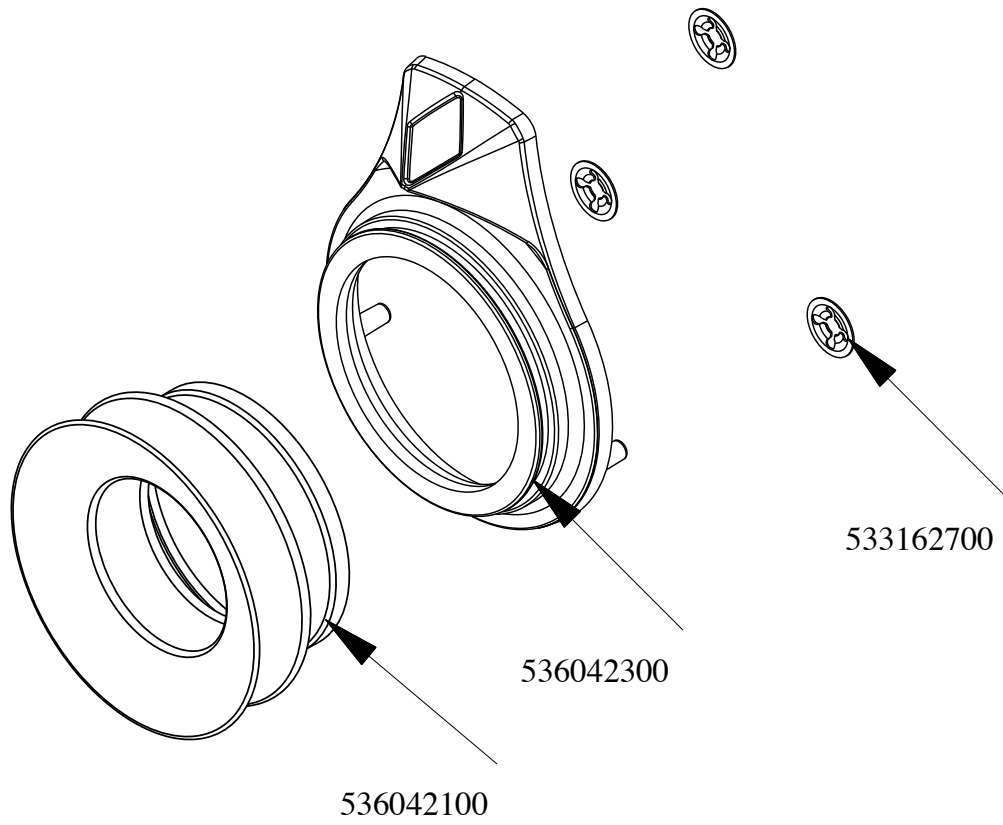
2

Kod	Nazev
537001600	THERMOSTAT 50-320°C SINGLEPHASE
539054200	STAMP Ø20,5 CR."L" LOTUS R.
536041700	SILVER CHROM. KNOB Ø77 4P.G.Ø06X4,6
537000400	COMMUTATOR 1POS.SINGLEPHASE S49 16A
537001200	FIXING BRACKET FOR THERMOSTAT/COMM.
537014200	GREEN WARNING LIGHT 250V
537014100	WHITE WARNING LIGHT 250V
537000900	THERMOSTAT 063-320°C THREEPHASE
537033600	FIXING BRACKET FOR THERMOSTAT/COMM.
537000200	COMMUTATOR 1 POS. 3PHASE S.49 16A
539062600	RED STICKING DISK 72 (050,300°)
539062500	RED STICKING DISK 72 (050,300°)
539070500	ADHES.LABEL FOR RING RED SIGN.

CWT-74ET

2021_11

3





CWT-74ET

2021_11

3

Kod	Nazev
536042300	SILVER CHROM. RING FOR KNOB Ø77 4 P
536042100	SEAL CASING FOR KNOB Ø77 4 P
533162700	PROCESSING CODE