

# Technical data sheet

## Product features



### Fry-top griddle plate 59x52 electric chromed smooth on open cabinet 400 V

<b>Model</b>	<b>SAP Code</b>	00001022
--------------	-----------------	----------



- Top type: Smooth
- Griddle dimensions [mm x mm]: 560 x 510
- Griddle thickness [mm]: 14.00
- Worktop material: Super chrom
- Container for liquid fat: Yes
- Maximum device temperature [°C]: 300
- Removable rim: Yes

<b>SAP Code</b>	00001022	<b>Power electric [kW]</b>	7.400
<b>Net Width [mm]</b>	600	<b>Loading</b>	400 V / 3N - 50 Hz
<b>Net Depth [mm]</b>	705	<b>Griddle dimensions [mm x mm]</b>	560 x 510
<b>Net Height [mm]</b>	900	<b>Top type</b>	Smooth
<b>Net Weight [kg]</b>	72.00	<b>Worktop type</b>	Molded - comfortable cleaning maintenance

# Technical data sheet

Technical drawing

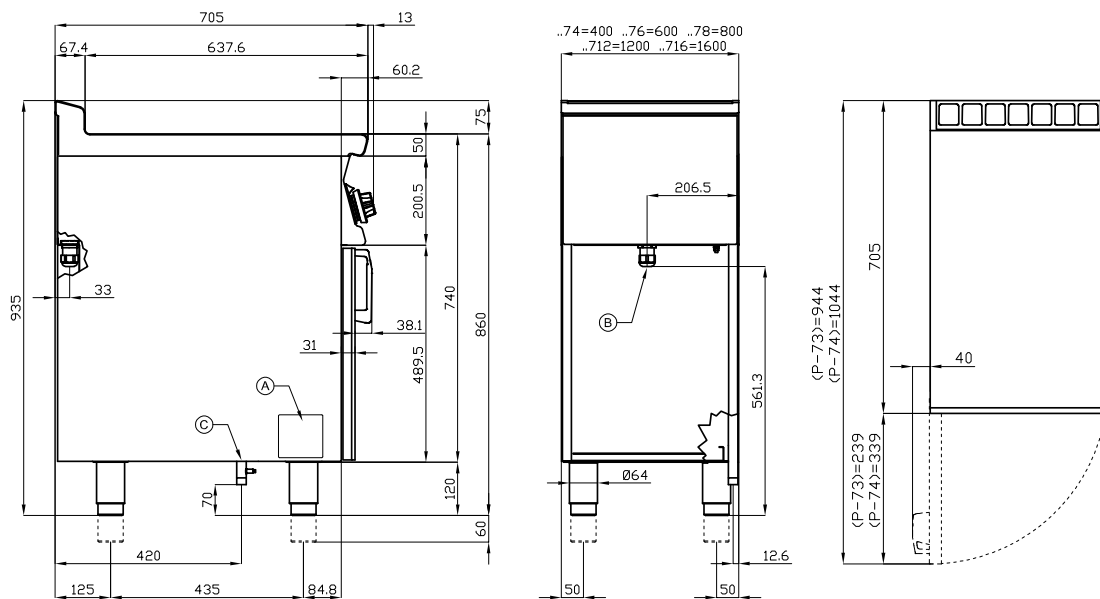


Fry-top griddle plate 59x52 electric chromed smooth on open cabinet 400 V

Model

SAP Code

00001022



A	Data plate	B	Electrical connection
---	------------	---	-----------------------

# Technical data sheet

## Product benefits



### Fry-top griddle plate 59x52 electric chromed smooth on open cabinet 400 V

Model

SAP Code

00001022

1

#### All-stainless design

long life  
resistance of AISI 304 stainless steel material  
the material does not cut

- savings on service interventions
- easier and faster operation

2

#### Degree of protection of the control elements IPX5

maintenance-free system  
resistance to splash water  
long life

- savings on service interventions
- easy cleaning and maintenance of equipment

3

#### Outlet for waste liquids

ensures that oil drips into the socket

- easy maintenance
- easy cleaning

4

#### High detachable hem

better hygienic conditions  
preventing grease from splashing onto  
ancillary equipment

- easy maintenance
- easy cleaning

5

#### Smooth plate made of chrome-plated steel

the product bakes less and is easier to clean  
a good warming of the meat with a groove

- time-saving for food preparation
- no reheating and long cooking times

6

#### Outlet for waste liquids

ensures that oil drips into the socket

- easy maintenance
- easy cleaning

7

#### Surface treatment "Superchrom"

a thicker layer of protective chrome applied with  
new technology

- the top is more scratch resistant
- more convenient and faster handling of food  
on the plate
- the possibility of preparing more delicate  
types of food
- the plate does not get dirty, does not swell

# Technical data sheet

Technical parameters



Fry-top griddle plate 59x52 electric chromed smooth on open cabinet 400 V

Model

SAP Code

00001022

**1. SAP Code:**

00001022

**2. Net Width [mm]:**

600

**3. Net Depth [mm]:**

705

**4. Net Height [mm]:**

900

**5. Net Weight [kg]:**

72.00

**6. Gross Width [mm]:**

630

**7. Gross depth [mm]:**

770

**8. Gross Height [mm]:**

1110

**9. Gross Weight [kg]:**

78.00

**10. Device type:**

Electric unit

**11. Construction type of device:**

Stationary

**12. Power electric [kW]:**

7.400

**13. Loading:**

400 V / 3N - 50 Hz

**14. Protection of controls:**

IPX5

**15. Device color:**

Stainless steel

**16. Material:**

Stainless steel

**17. Indicators:**

operation and warm-up

**18. Worktop type:**

Molded - comfortable cleaning maintenance

**19. Worktop material:**

Super chrom

**20. Worktop Thickness [mm]:**

2.00

**21. Maximum device temperature [°C]:**

300

**22. Minimum device temperature [°C]:**

50

**23. Power control type:**

knob control

**24. Service accessibility:**

Trough the frontal panel

**25. Safety element:**

safety thermostat

**26. Safety thermostat:**

Yes

**27. Adjustable feet:**

Yes

**28. Additional information:**

door not included - can be purchased

# Technical data sheet

Technical parameters



Fry-top griddle plate 59x52 electric chromed smooth on open cabinet 400 V

Model

SAP Code

00001022

**29. Griddle dimensions [mm x mm]:**

560 x 510

**32. Removable rim:**

Yes

**30. Griddle thickness [mm]:**

14.00

**33. Uniform heating:**

Yes

**31. Container for liquid fat:**

Yes

**34. Top type:**

Smooth