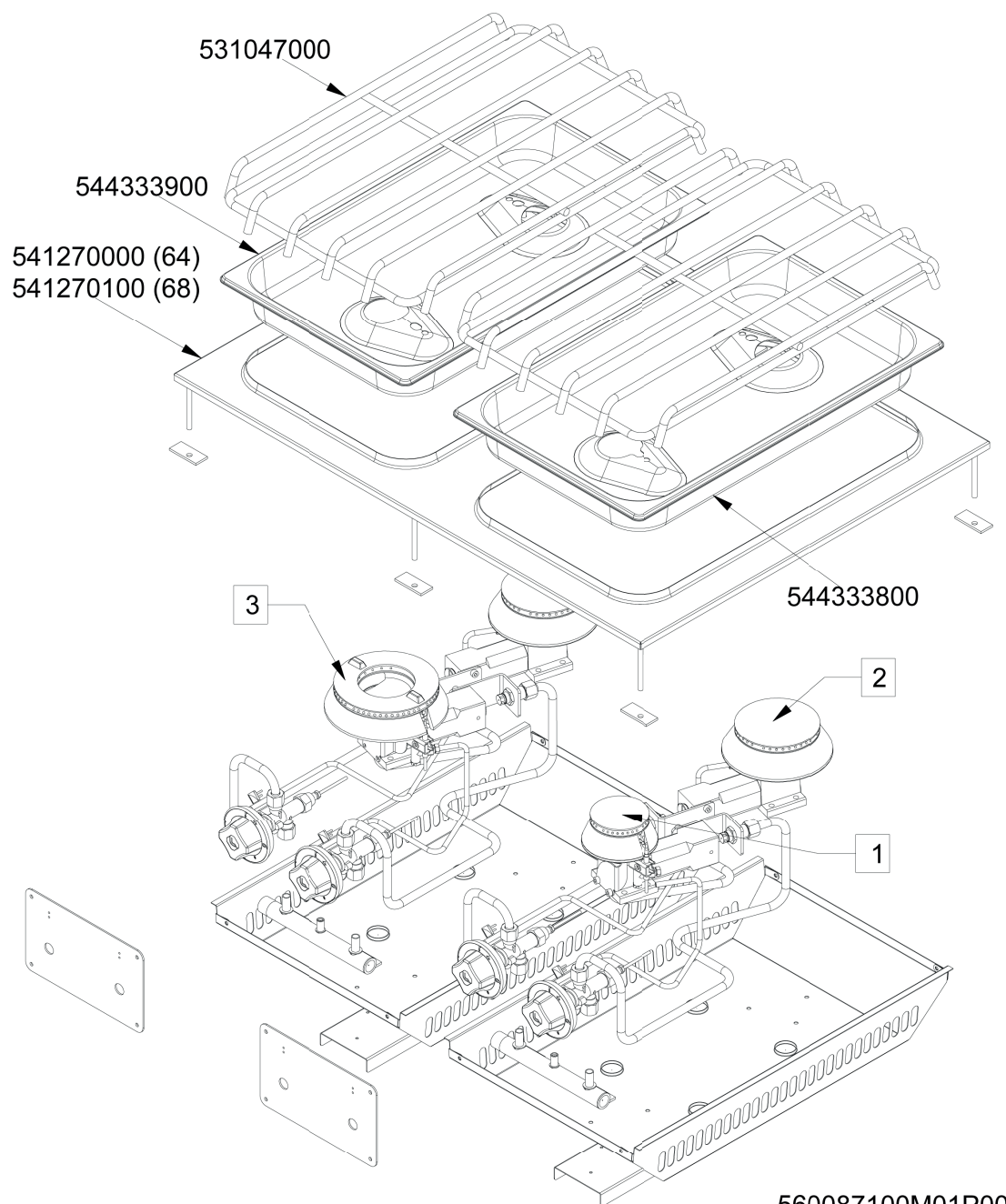


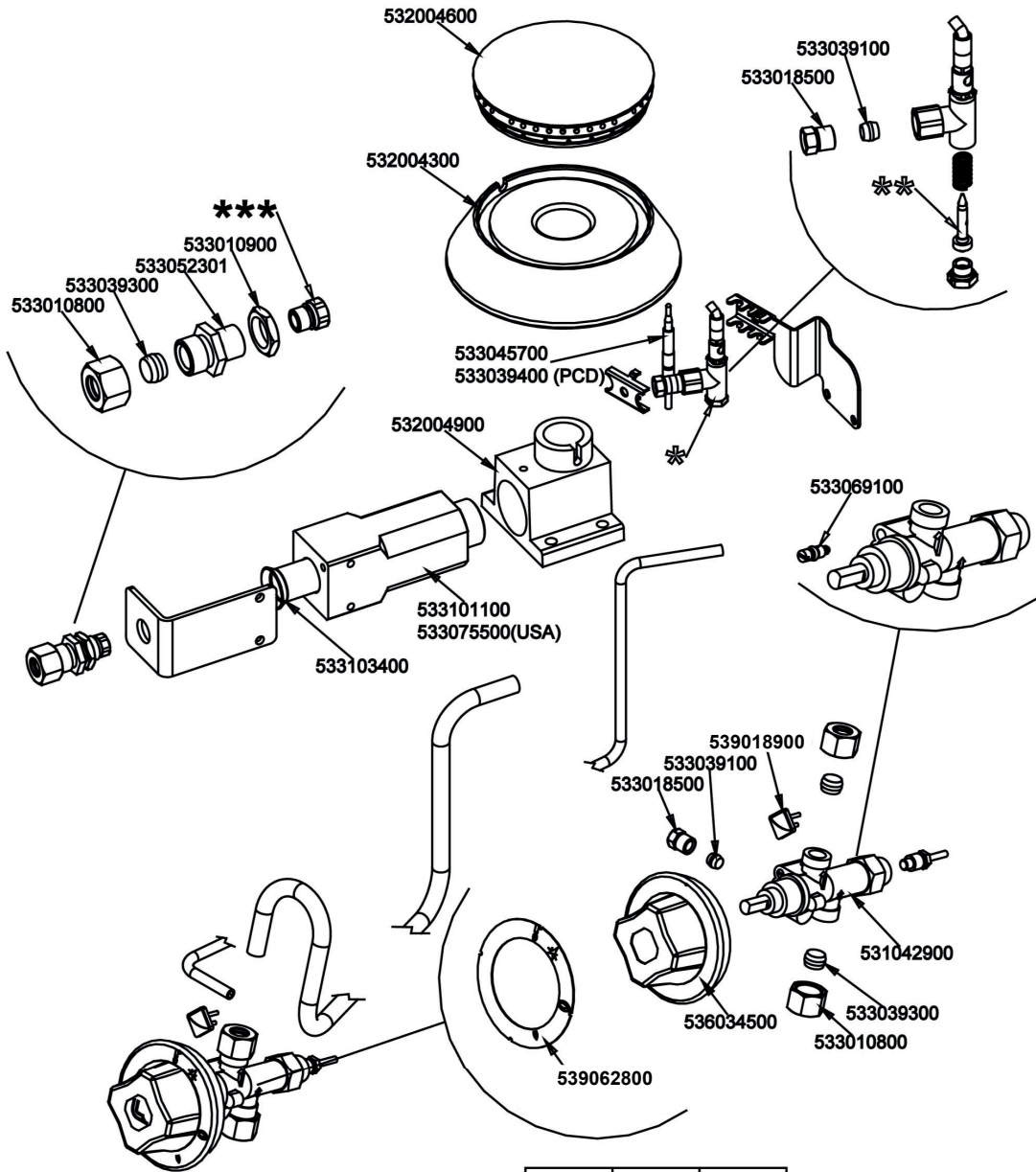


RM Drop In  
 Platný od 1.5. 2019  
 PCD-64G, PCD-68G





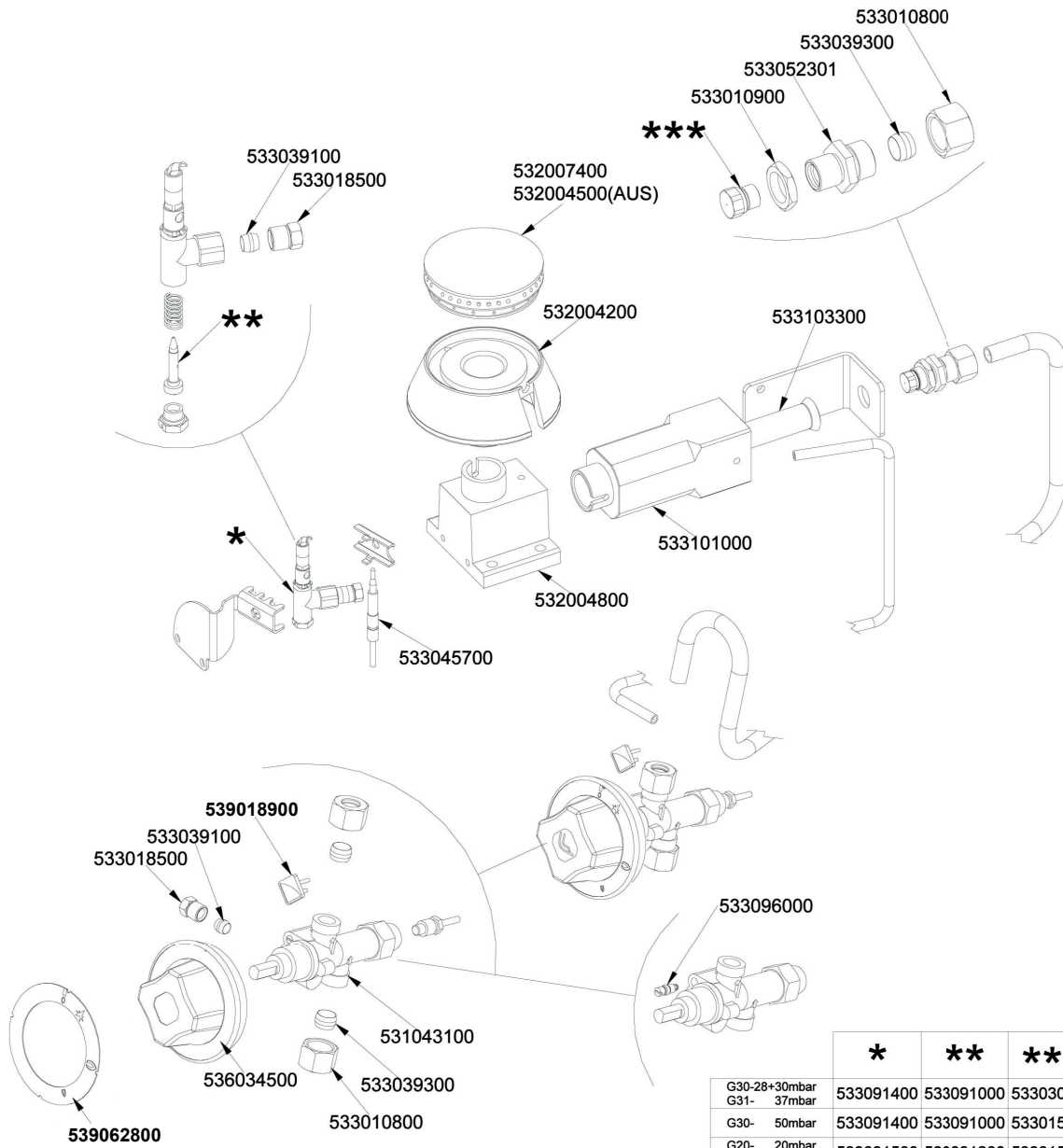
Objednací kód	Popis v ENG
531047000	2 BURNER GRID FOR PC-700
544333900	BURNER CONTAINER 1/1GN R 304
541270000	UPPER PLATE DROP IN PCD-64G
544333800	BURNER CONTAINER 1/1GN R 304
-	-
-	-
-	-



	*	**	***
G30-28+30mbar	533091400	533091000	533043900
G31- 37mbar			
G30- 50mbar	533091400	533091000	533019300
G20- 20mbar	533091500	533091200	533031000
G25- 25mbar			
G20- 20mbar DE-AT	533091500	533091200	533031000
G25- 20mbar	533091500	533091200	533043500
G25- 25mbar NL	533091500	533091200	533019400
GAS E-10IWC USA	533091400	533091000	533043200
GAS A-4IWC USA	533161200	533091300	533043100
G31- 2.49kPa AUS	533091400	533091000	533043900
G20- 1kPa AUS	533161200	533091300	533043500



Objednačí kód	Popis v ENG
532004600	BURNER COVER RING R D104
533039100	BICONE §6
533018500	FITTING FOR BICONE D.6 M10*1
532004300	MIDDLE BURNER BODY 70LINE P.
533010900	NUT M14*1 H.4
533052301	JOINT FOR NOZZLE HOLDER
533039300	BICONE §10
533010800	TUBE NUT D.10 M16*1,5
533045700	THERMOCOUPLE M9*1 500
533039400	THERMOCOUPLE M9*1*850
532004900	ELBOW FITTING OF BURNER VENTURI R
533069100	BY PASS COCK §60 20S
533101100	BURNER VENTURI R
533075500	BURNER VENTURI 5,5KW S70 USA
533103400	AIR ADJUSTMENT BUSHING D20 EST.H57
539018900	INDEX FOR KNOB RED SIGN
533039100	BICONE §6
533018500	FITTING FOR BICONE D.6 M10*1
531042900	B.PASS §60 SAFETY COCK PC/CF 90
533034500	PROCESSING CODE
533039300	BICONE §10
533010800	TUBE NUT D.10 M16*1,5
539062800	RED STICKING DISK 72
533091400	P.NOZZLE S100 UG.§20 PC90 LPG-FLUS
533091500	PILOT NOZZLE S.100 §30 PC90 NAT.GAS
533161200	
533091000	NOZZLE 0.100 §20
533091200	PILOT NOZZLE 0100 Ø35 PIL.PC
533091300	PILOT NOZZLE 0100 Ø40 PIL.PC
533043900	NOZZLE §115 CH12*14 F-CW4
533019300	NOZZLE §100 G-FQ5 F-CW
533031000	NOZZLE §175 CH12X14
533043500	NOZZLE §190 CH12*14 G25 PC4R
533019400	NOZZLE §180 CH12*14 L-FQ5
533043200	NOZZLE §110 G30 (LPG) CH12X14
533043100	NOZZLE §185 G25 CH12X14
533043900	NOZZLE §115 CH12*14 F-CW4
533043500	NOZZLE §190 CH12*14 G25 PC4R

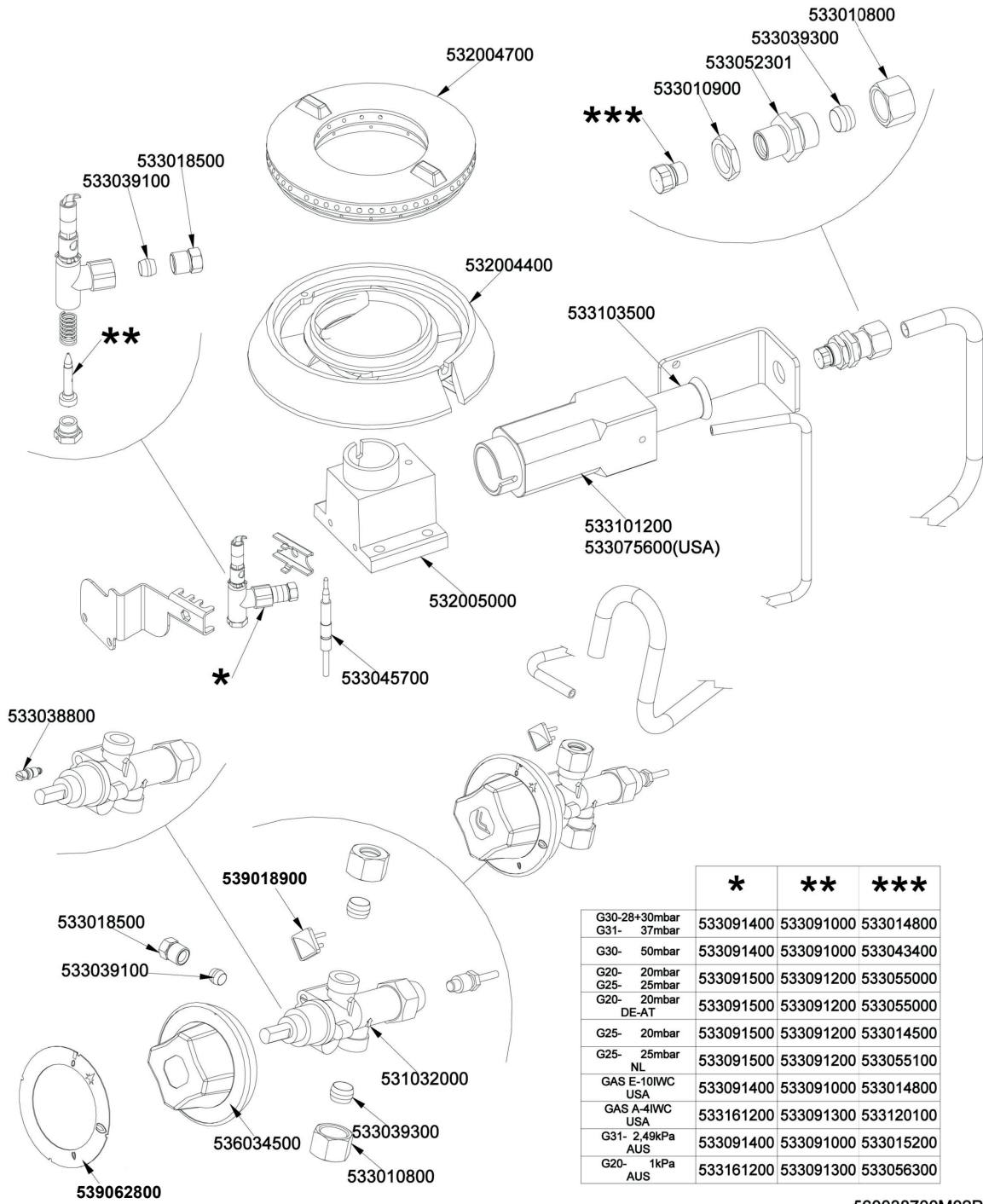


	*	**	***
G30-28+30mbar G31- 37mbar	533091400	533091000	533030500
G30- 50mbar	533091400	533091000	533015100
G20- 20mbar G25- 25mbar	533091500	533091200	533015200
G20- 20mbar DE-AT	533091500	533091200	533015200
G25- 20mbar	533091500	533091200	533030800
G25- 25mbar NL	533091500	533091200	533014900
G31- 2,49kPa AUS	533091400	533091000	533019300
G20- 1kPa AUS	533161200	533091300	533030300

560038500M02P00



Objednací kód	Popis v ENG
533010800	TUBE NUT D.10 M16*1,5
533039300	BICONE §10
533052301	JOINT FOR NOZZLE HOLDER
533010900	NUT M14*1 H.4
533039100	BICONE §6
532007400	BURNER COVER RING Ø073 4 Z
533018500	FITTING FOR BICONE D.6 M10*1
532004500	BURNER COVER RING SR D73
532004200	SMALL BURNER BODY 70LINE P.
533103300	AIR ADJUSTMENT BUSHING D16 EST.H57
533101000	BURNER VENTURI SR
532004800	ELBOW FITTING OF BURNER VENTURI SR
533045700	THERMOCOUPLE M9*1 500
539018900	INDEX FOR KNOB RED SIGN
533039100	BICONE §6
533018500	FITTING FOR BICONE D.6 M10*1
533096000	§50 BY-PASS COCK 20S-21S
531043100	B.PASS §50 SAFETY COCK PC/CF 70
533039300	BICONE §10
536034500	KNOB §77 4P. §08*6,5
539062800	RED STICKING DISK 72
533010800	TUBE NUT D.10 M16*1,5
533091400	P.NOZZLE S100 UG.§20 PC90 LPG-FLUS
533091500	PILOT NOZZLE S.100 §30 PC90 NAT.GAS
533091400	P.NOZZLE S100 UG.§20 PC90 LPG-FLUS
533161200	
533091000	NOZZLE 0.100 §20
533091200	PILOT NOZZLE 0100 Ø35 PIL.PC
533091000	NOZZLE 0.100 §20
533091300	PILOT NOZZLE 0100 Ø40 PIL.PC
533030500	NOZZLE §90 CH12X14 G30/CE
533015100	NOZZLE §80 CH12*14 F-FP/CP6
533015200	NOZZLE §145 CH12*14 F-FP/CP6
533030800	NOZZLE §155 CH12X14 M-CW
533014900	NOZZLE §150 CH12*14 F-FQ5 L-FQ6
533019300	NOZZLE §100 G-FQ5 F-CW
533030300	NOZZLE §160 CH12*14 M-FPG



	*	**	***
G30-28+30mbar	533091400	533091000	533014800
G31- 37mbar	533091400	533091000	533043400
G30- 50mbar	533091400	533091000	533055000
G20- 20mbar	533091500	533091200	533055000
G25- 25mbar	533091500	533091200	533055000
G20- 20mbar DE-AT	533091500	533091200	533014500
G25- 20mbar	533091500	533091200	533055100
G25- 25mbar NL	533091500	533091200	533055100
GAS E-10IWC USA	533091400	533091000	533014800
GAS A-4IWC USA	533161200	533091300	533120100
G31- 2,49kPa AUS	533091400	533091000	533015200
G20- 1kPa AUS	533161200	533091300	533056300

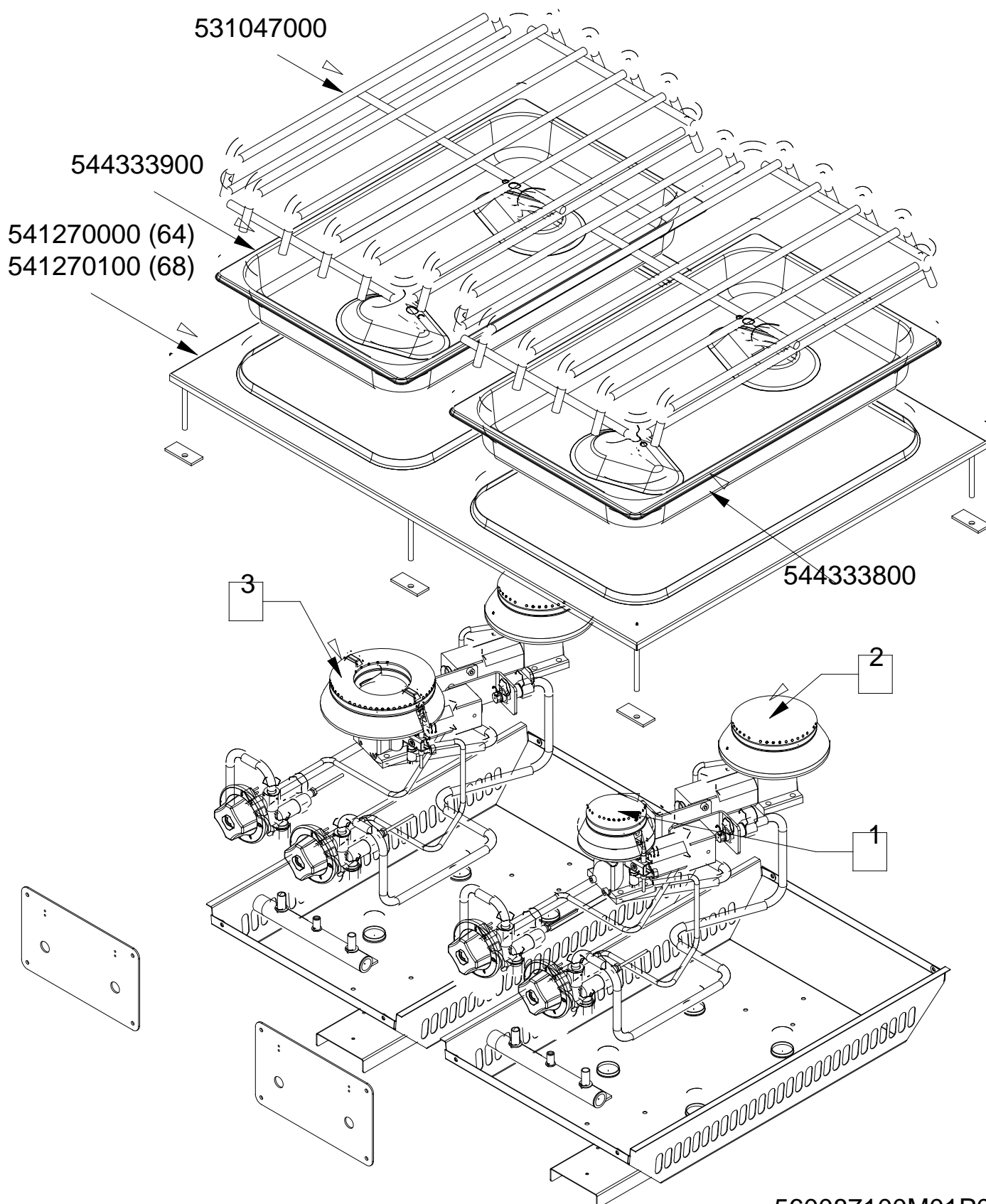


Objednací kód	Popis v ENG
533010800	TUBE NUT D.10 M16*1,5
533039300	BICONE §10
533052301	JOINT FOR NOZZLE HOLDER
532004700	BURNER COVER RING UR D128
533010900	NUT M14*1 H.4
533018500	FITTING FOR BICONE D.6 M10*1
533039100	BICONE §6
532004400	BIG BURNER BODY 70LINE P.
533103500	AIR ADJUSTMENT BUSHING D22 EST.H57
533101200	BURNER VENTURI UR
533075600	BURNER VENTURI 7,5KW S70 USA
532005000	ELBOW FITTING OF BURNER VENTURI UR
533045700	THERMOCOUPLE M9*1 500
533038800	75 BY-PASS FOR 21S TAP
539018900	INDEX FOR KNOB RED SIGN
533018500	FITTING FOR BICONE D.6 M10*1
533039100	BICONE §6
531032000	GAS COCK P.V.BY-PASS Ø075
536034500	KNOB §77 4P. §08*6,5
533039300	BICONE §10
533010800	TUBE NUT D.10 M16*1,5
539062800	RED STICKING DISK 72
533091400	P.NOZZLE S100 UG.§20 PC90 LPG-FLUS
533091500	PILOT NOZZLE S.100 §30 PC90 NAT.GAS
533161200	
533091000	NOZZLE 0.100 §20
533091200	PILOT NOZZLE 0100 Ø35 PIL.PC
533091300	PILOT NOZZLE 0100 Ø40 PIL.PC
533014800	NOZZLE §135 CH12*14,0
533043400	NOZZLE §117 CH12*14 G-PC4 UR
533055000	NOZZLE §205 CH12*14 G25 CW4
533014500	NOZZLE §225 CH12*14 OVEN GN 2/1
533055100	NOZZLE §215 CH12*14 L-CW4
533014800	NOZZLE §135 CH12*14,0
533120100	NOZZLE §210 CH12*14,0
533015200	NOZZLE §145 CH12*14 F-FP/CP6
533056300	NOZZLE §240 CH12*14



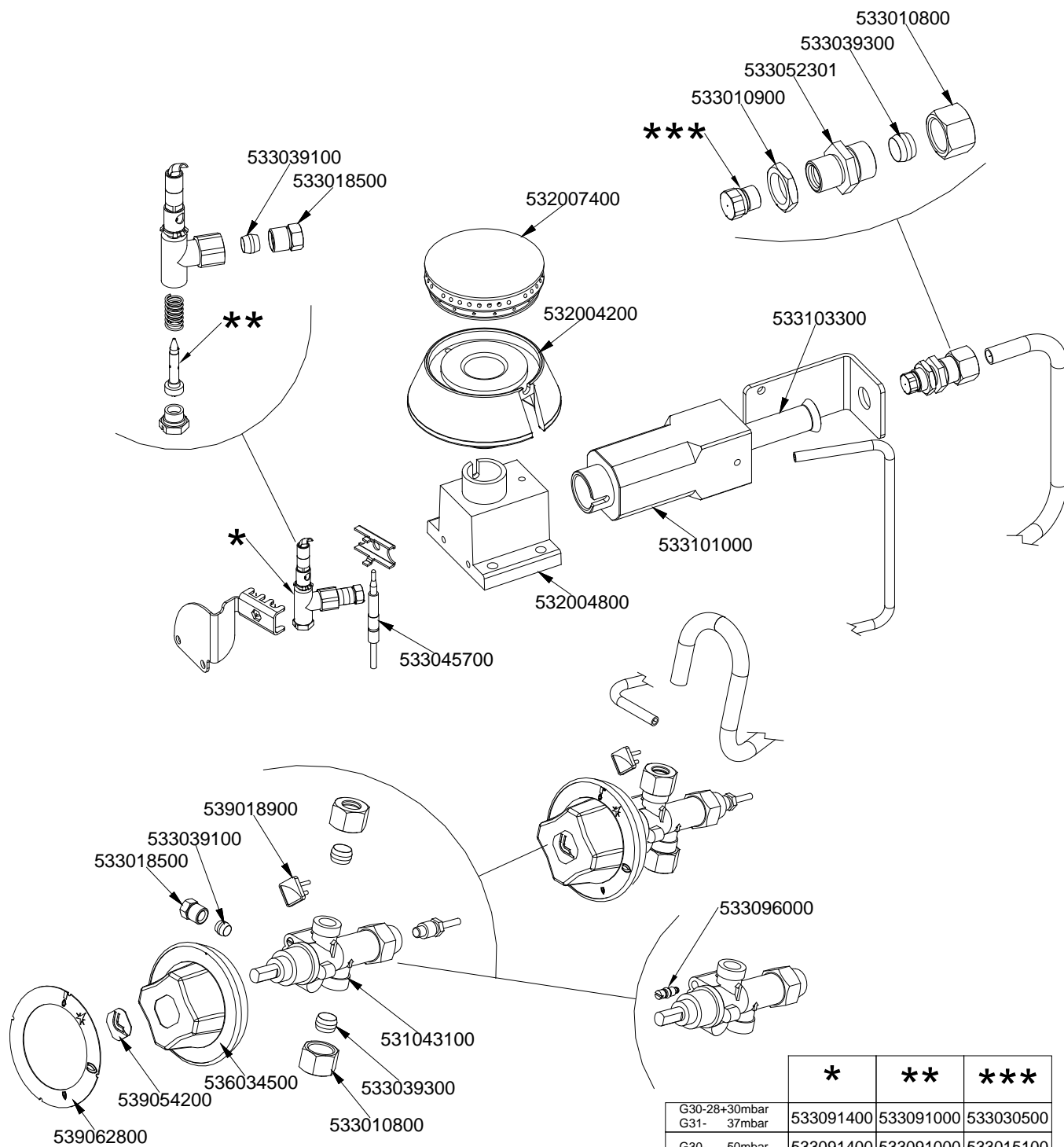


PCD-64G PCD-68G  
 Platný od 1.5.2016  
 do 30.4.2019





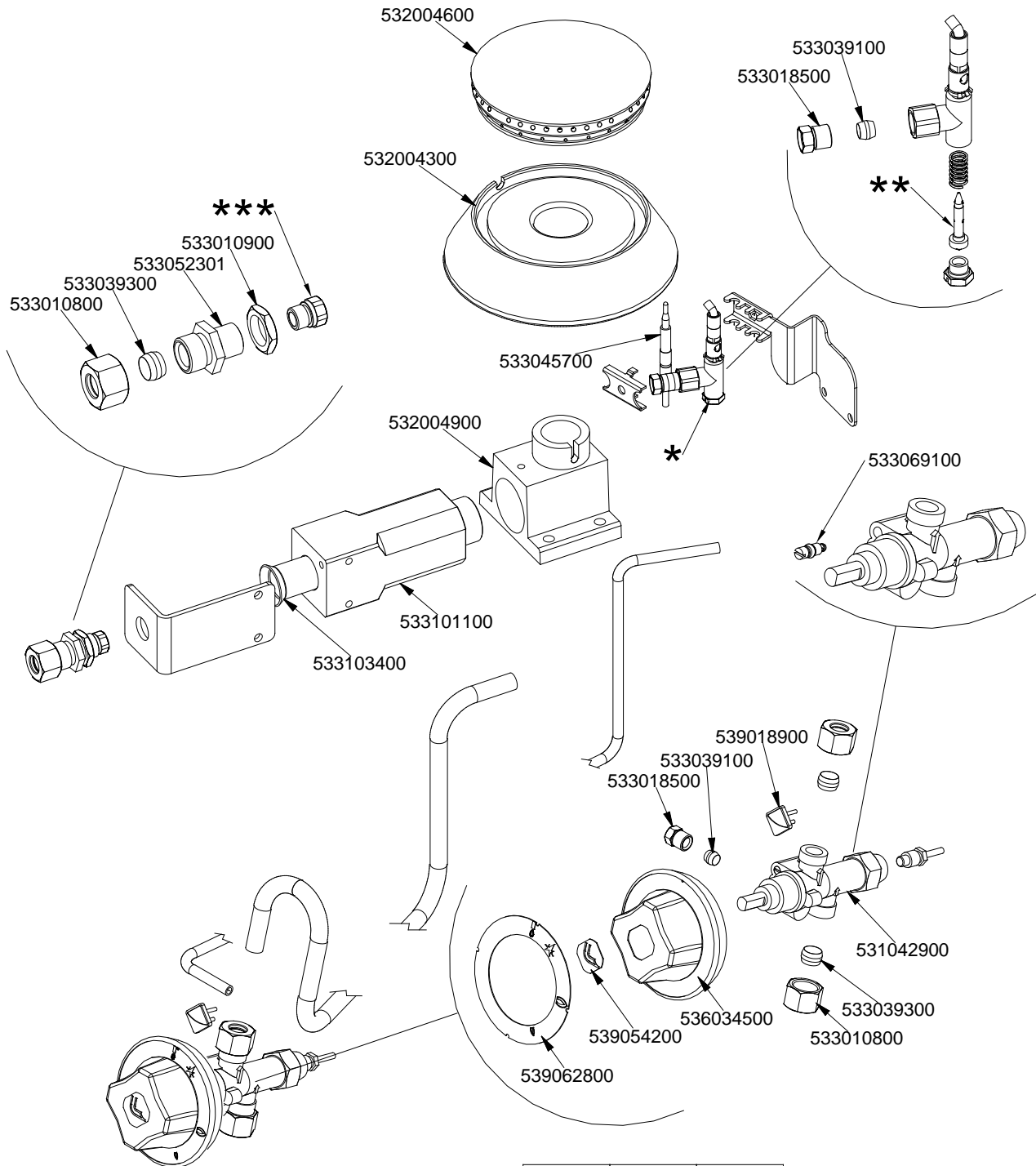
PCD-G SR  
 Platný od  
 1.5.2016  
 do 30.4.2019



	*	**	***
G30-28+30mbar G31- 37mbar	533091400	533091000	533030500
G30- 50mbar	533091400	533091000	533015100
G20- 20mbar G25- 25mbar	533091500	533091200	533015200
G20- 20mbar DE-AT	533091500	533091200	533015200
G25- 20mbar	533091500	533091200	533030800
G25- 25mbar NL	533091500	533091200	533014900
G20- 25mbar	533091500	533091200	533014800



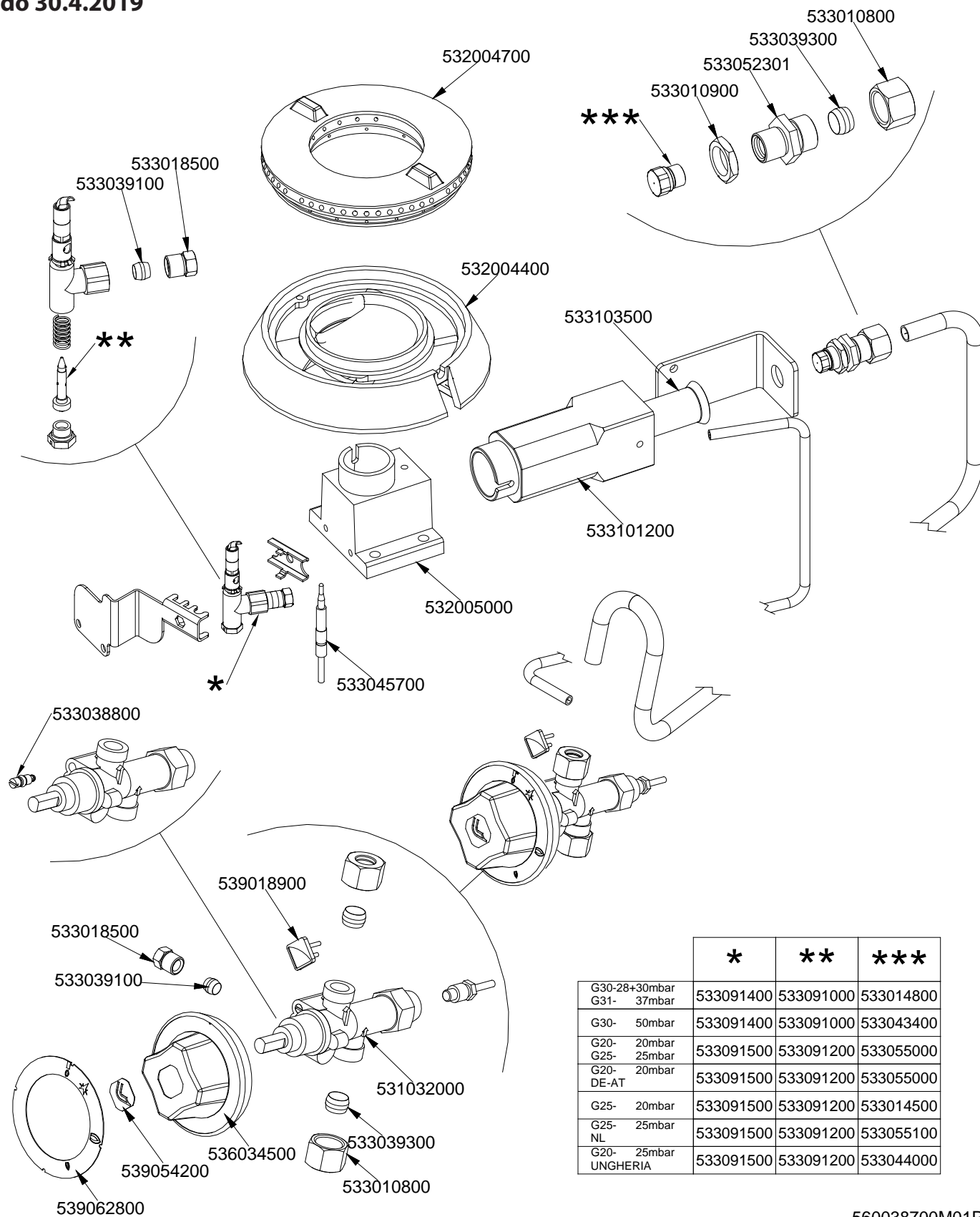
**PCD-G R**  
**Platný od**  
**1.5.2016**  
**do 30.4.2019**



	*	**	***
G30-28+30mbar G31- 37mbar	533091400	533091000	533043900
G30- 50mbar	533091400	533091000	533019300
G20- 20mbar G25- 25mbar	533091500	533091200	533031000
G20- 20mbar DE-AT	533091500	533091200	533031000
G25- 20mbar	533091500	533091200	533043500
G25- 25mbar NL	533091500	533091200	533019400
G20- 25mbar UNGHERIA	533091500	533091200	533030900



PCD-G UR  
Platný od  
1.5.2016  
do 30.4.2019



	*	**	***
G30-28+30mbar G31- 37mbar	533091400	533091000	533014800
G30- 50mbar	533091400	533091000	533043400
G20- 20mbar G25- 25mbar	533091500	533091200	533055000
G20- DE-AT	533091500	533091200	533055000
G25- 20mbar	533091500	533091200	533014500
G25- NL	533091500	533091200	533055100
G20- 25mbar UNGHERIA	533091500	533091200	533044000